

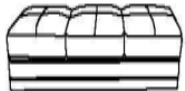

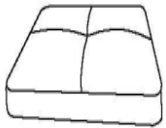






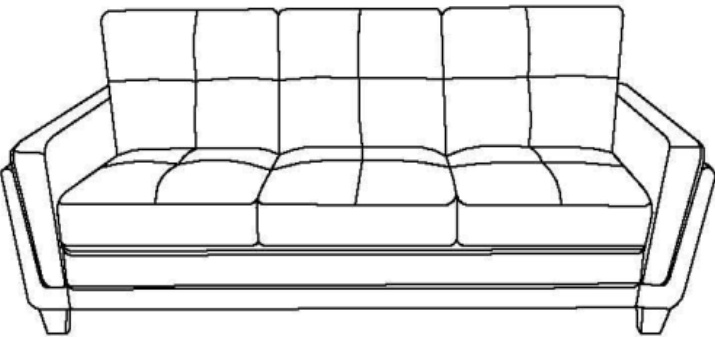
# ASSEMBLY INSTRUCTION FOR 9701BLK-3 SOFA

## Clean and Care Instructions;

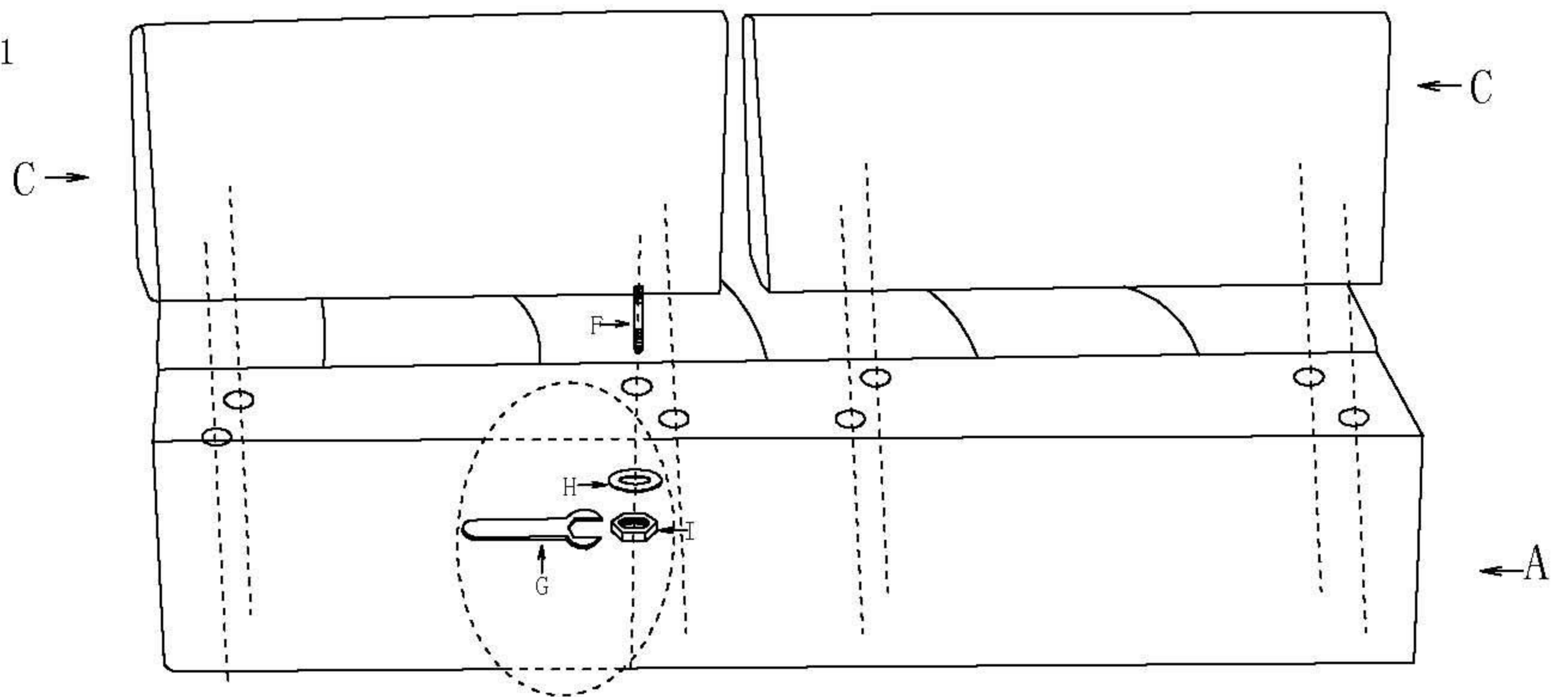
Treat surface with care, item surface is not scratch proof; always clean the surface with a dry or damp soft cloth. Do not use chemical cleaners or liquids to clean the surface which will cause damages.

### PARTS LIST:

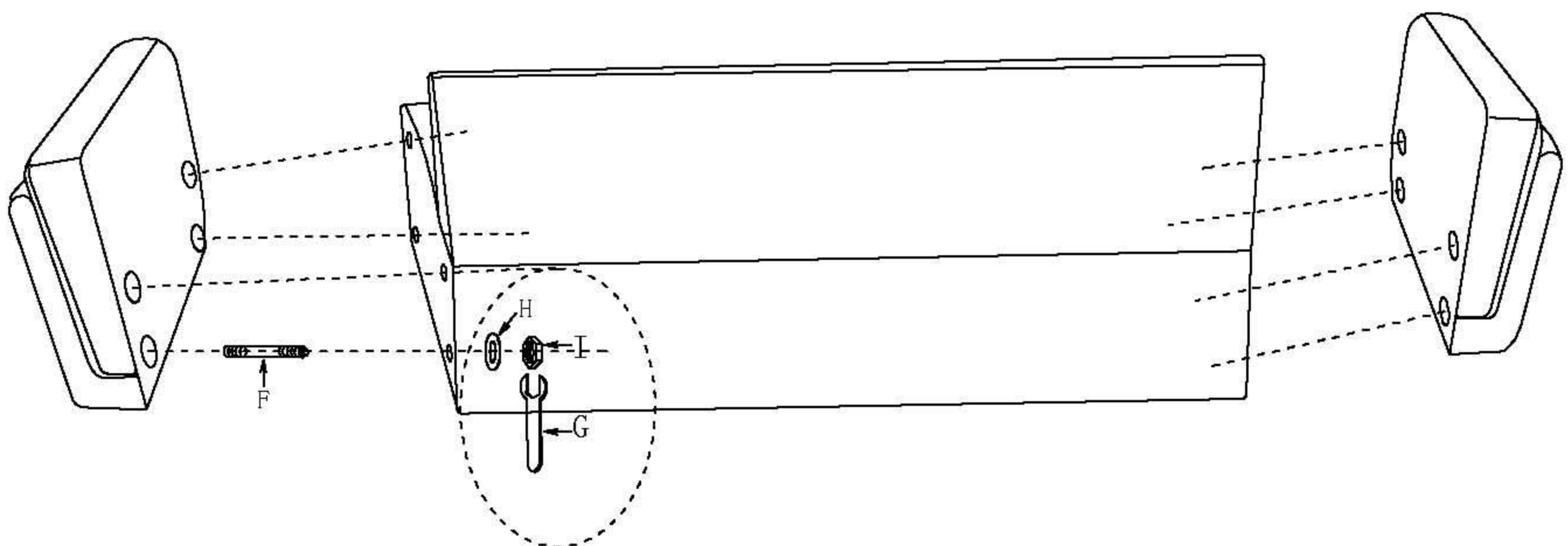
### HARDWARE:

NO	DESCRIPTION	FIGURE	QRY	NO	DESCRIPTION	FIGURE	QRY
A	Seat		1PC	F	Threaded rod (M8*70MM)		16PCS
B	Back Cushion		3PCS	G	Wrech		1pc
C.	Back Rest		2PCS	H	Hexagnoal nut (M8)		16PCS
D.	Arm (Right Side Facing & Left Side Facing)		2PCS	I	Flat washer (M8)		16PCS
E	Leg		4PCS				

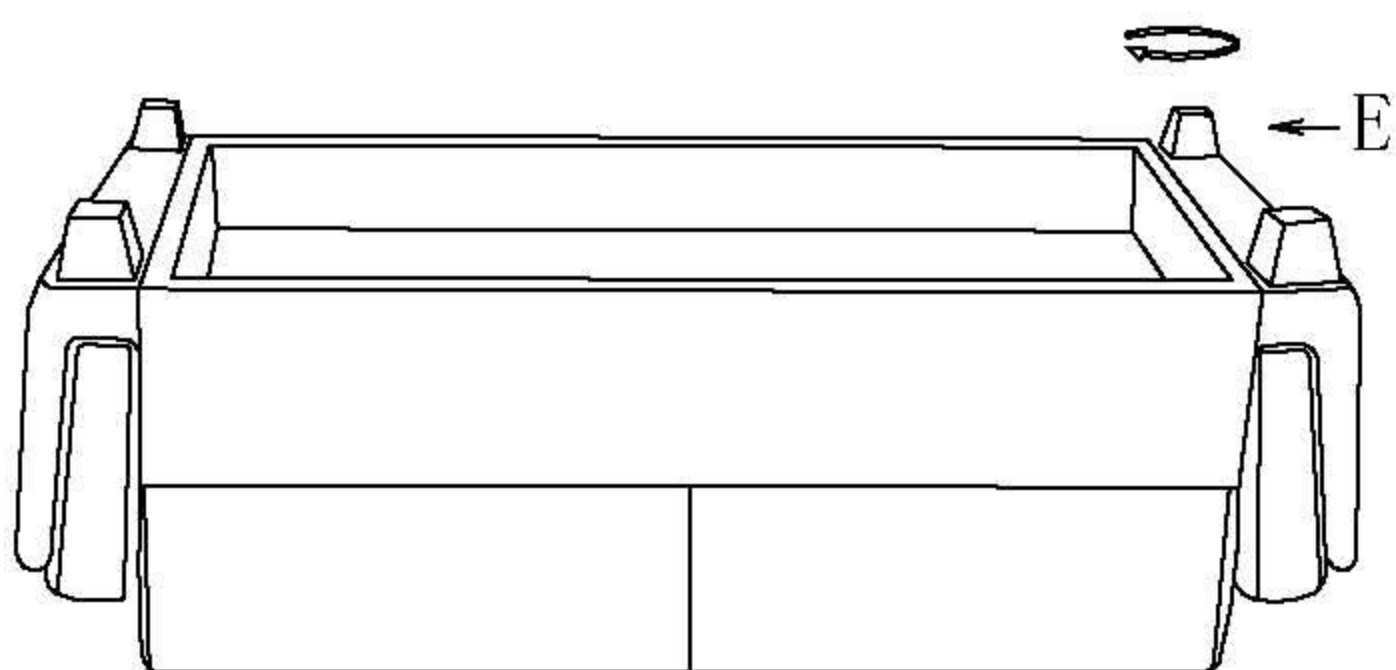
STEP:1



STEP:2



STEP:3



STEP:4

