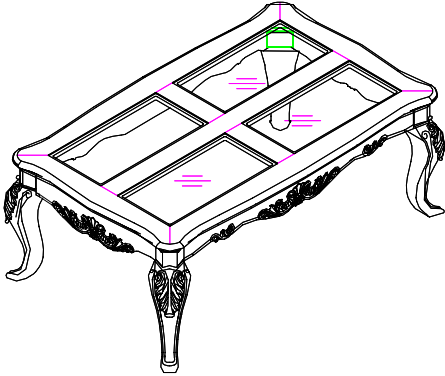


**ASSEMBLY INSTRUCTIONS**  
**ITEM NO: 1288-301**  
**COCKTAIL TABLE-VICTORIA**

Thank you for purchasing this quality product. Be sure to check all packing material carefully for small parts that may have come loose inside the carton during shipment.

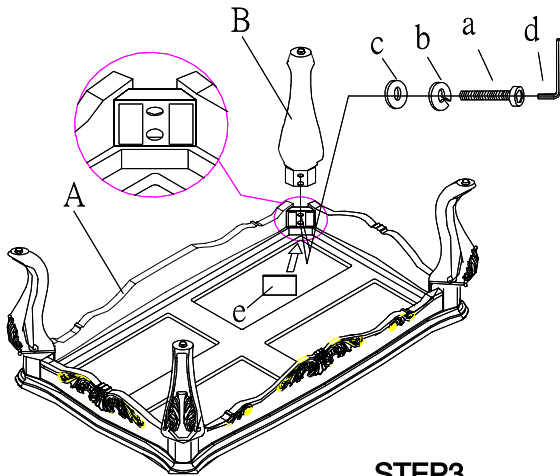
**TOOLS REQUIRED (NOT PROVIDED)**  
 PHILLIPS SCREWDRIVER



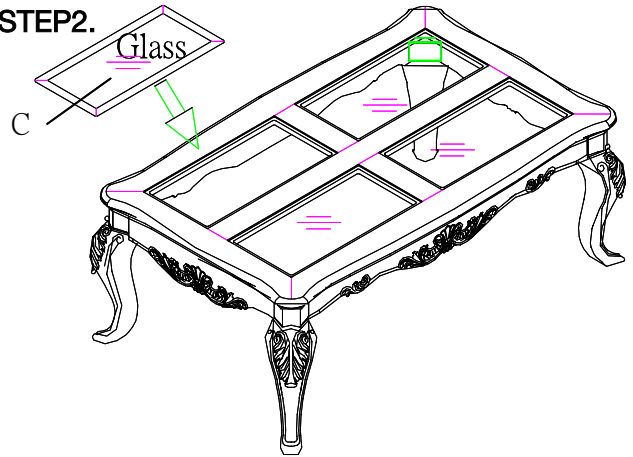
PARTS LIST			QTY'
A	TABLE TOP FRAME		1 PC
B	LEG		4 PCS
C	TABLE TOP GLASS		4 PCS

HARDWARE LIST			
NO.	DESC..	SKETCH	QTY'
a	BOLT 5/16"*1-3/4"		8 PCS
b	SPRING WASHER 5/16"		8 PCS
c	FLAT WASHER 5/16"*19mm		8 PCS
d	5mm ALLEN WRENCH		1 PC
e	CORNER VELCRO		4 PCS

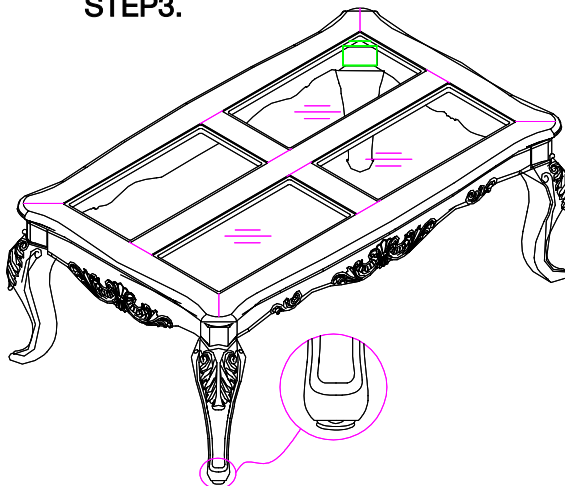
**STEP1.**



**STEP2.**



**STEP3.**



MADE IN CHINA