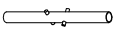


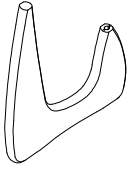


ASSEMBLE INSTRUCTION

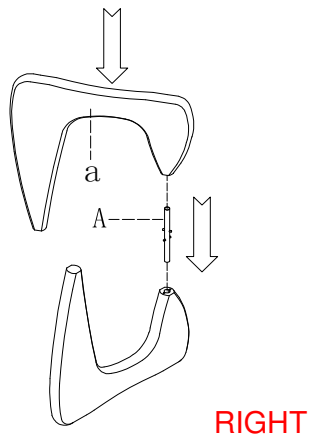
ITEM#: 3205-04

DESCRIPTION: END TABLE

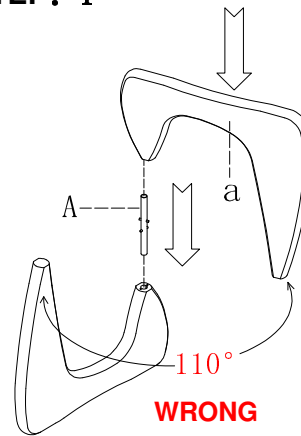
NO	HARDWARE LIST	QTY
A	 JOINT TUBE	1PCS
B	 GLASS	1PCS
C	 SUCTION CUP	3PCS

NO	PARST LIST	QTY
a	 "U" FRAME	2PCS

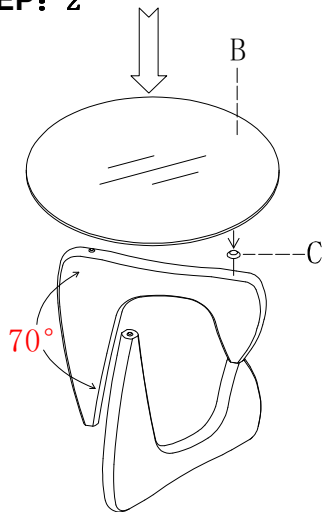
STEP: 1



STEP: 1



STEP: 2



Please take the side with COO(Country of Origin) labels as top to place the glass ,the opposite side is used as bottom to place on the floor.