

ASSEMBLY INSTRUCTION

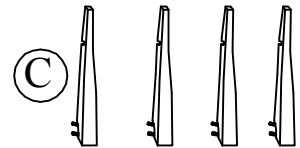
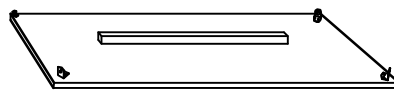
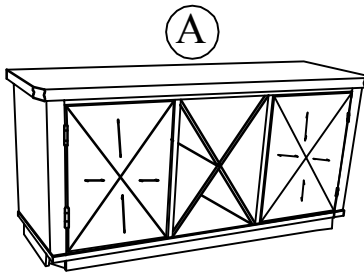
ITEM:2477-40

DESCRIPTION : SERVER

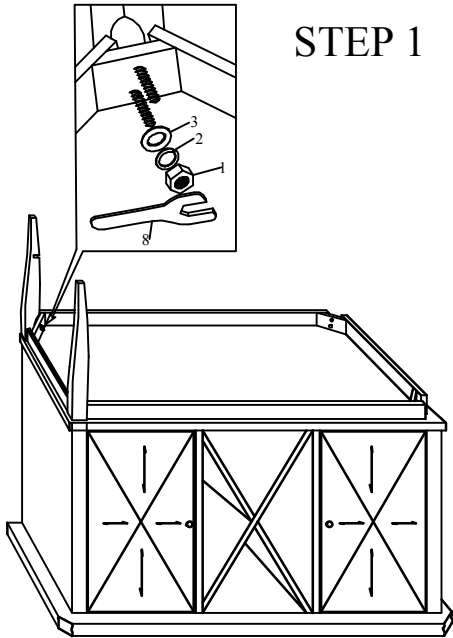
Read this instruction carefully. Refer hardware and furniture parts list for guidance. Be sure all parts are complete before assembling. Place all wooden furniture part on a clean and flat soft surface to prevent scratches. Refer steps provided as assembling guide.

PART LIST		
ITEM	DESCRIPTION	QTY
1	SERVER TOP	1 pc
2	SERVER LEG	4 pcs
2	SERVER SHELF	1 pc

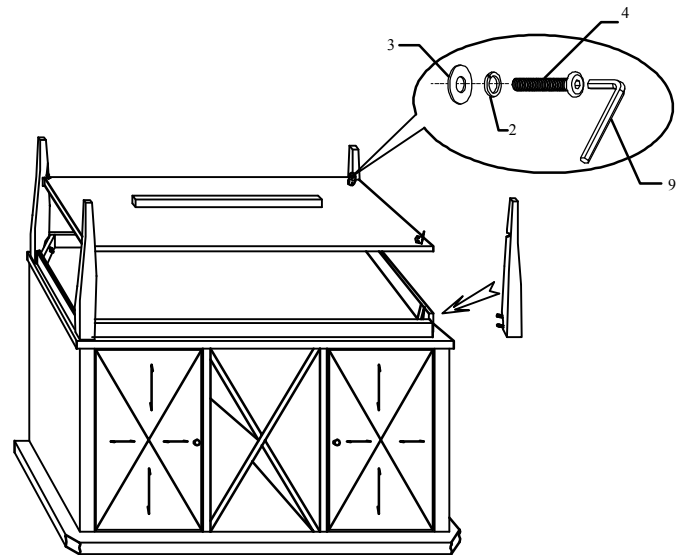
HARDWARE LIST		
ITEM	DESCRIPTION	QTY
1	HEX NUT ϕ 5/16" X 12 mm	8 pcs
2	LOCK WASHER ϕ 5/16" X 13 mm	8 pcs
3	FLAT WASHER ϕ 5/16" X 19 mm	8 pcs
4	BOLT ϕ 1/4" X 25mm	4 pcs
5	BOLT ϕ 5/32" X 25mm	2 pcs
6	KNOB	2 pcs
7	SHELF SUPPORT CLIP	8 pcs
8	WRENCH	1 pc
9	ALLEN KEY	1 pc



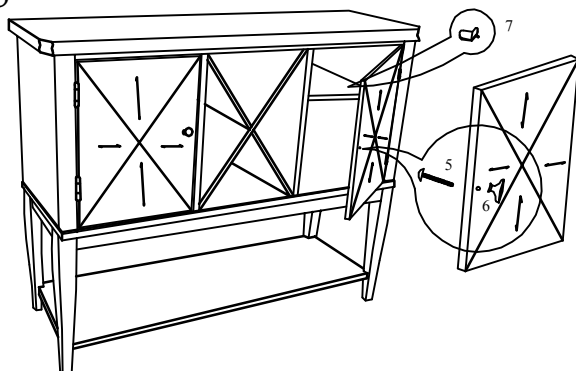
STEP 1



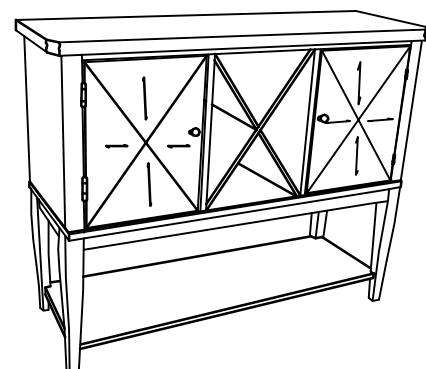
STEP 2



STEP 3



STEP 4



NOTE: DO NOT TIGHTEN UNTILL COMPLETELY ASSEMBLE.

Made in Vietnam