

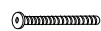
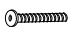





# ASSEMBLY INSTRUCTIONS

ITEM : 2423-24

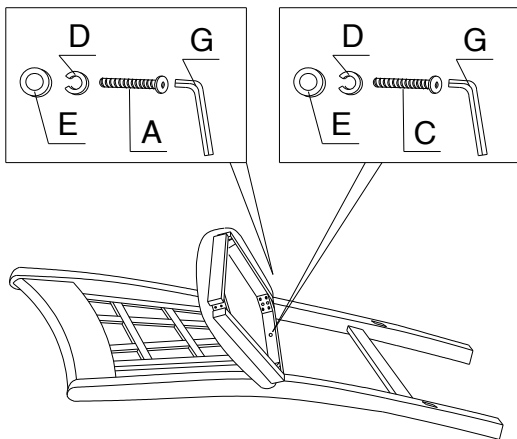
Important note :

- Place all parts on a clean and smooth surface such as a rug or carpet to avoid scratching the parts.
- Kindly follow the assembly instructions step by step.
- Do not tighten all screws and bolts until the chair is fully assembled.

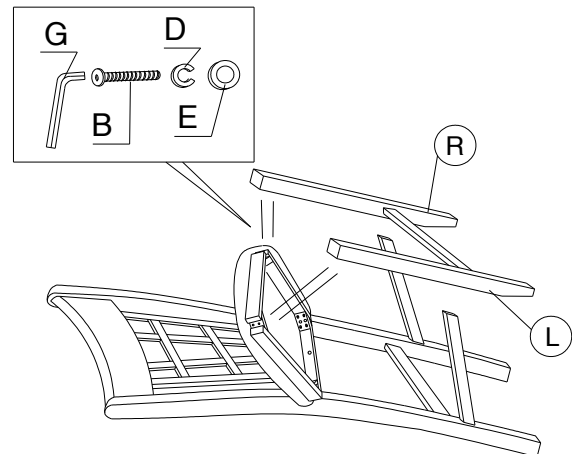
| NO | PART LIST       | QTY |
|----|-----------------|-----|
| 1  | CHAIR BACK      | 1   |
| 2  | FRONT LEG (L&R) | 2   |
| 3  | SIDE STRETCHER  | 2   |
| 4  | FRONT STRETCHER | 1   |
| 5  | CUSHION SEAT    | 1   |

| NO | HARDWARE LIST   | QTY |
|----|---|-----|
| A  | BOLT (LONG)    | 4   |
| B  | BOLT (MEDIUM)  | 4   |
| C  | BOLT (SHORT)   | 1   |
| D  | SPRING WASHER  | 9   |
| E  | FLAT WASHER    | 9   |
| F  | SCREW          | 6   |
| G  | ALLEN KEY      | 1   |

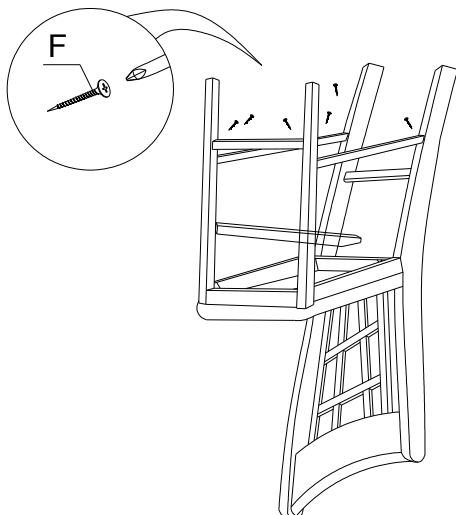
## STEP 1 - Rear Leg Assembly



## STEP 2 - Front Leg Assembly



## STEP 3 - Stretcher Assembly



## STEP 4 - Completed Chair

