
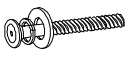
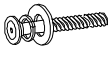



# ASSEMBLY INSTRUCTIONS

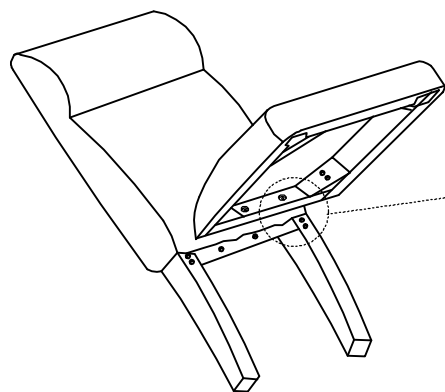
ITEM NO: 5448S

Remarks: Do not tighten screws until completely assembled.

NO	Description	Drawing	Size	Q`ty
A	JCBC SCREW & Spring Washer\ Flat Washer		∅ M6X90mm	8 unit
B	JCBC SCREW & Spring Washer\ Flat Washer		∅ M6X80mm	8 unit
C	JCBC SCREW & Spring Washer\ Flat Washer		∅ M6X60mm	4 unit
D	Allen Key			1 pc

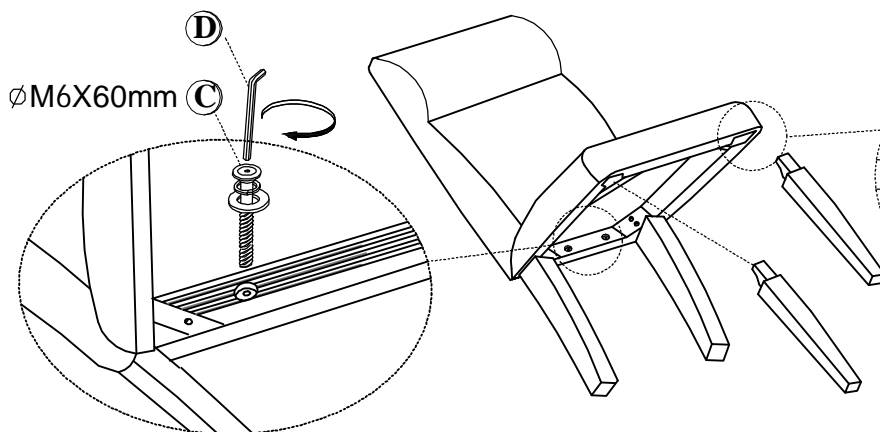
Note: All Above Listed Are For 2 Pcs Of Chair.

**Step 1**



∅M6X90mm (A) D

**Step 2**



∅M6X60mm (C) D

∅M6X80mm (B) D

**Step 3**

