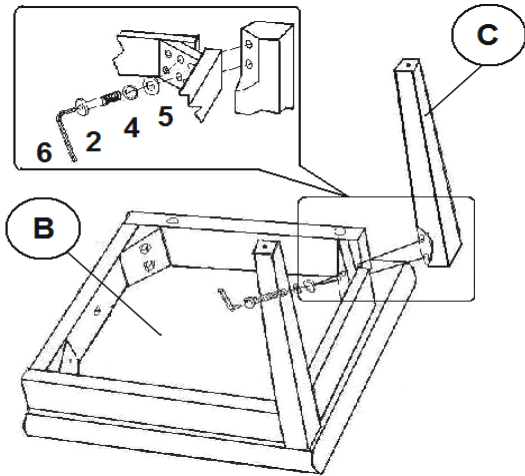


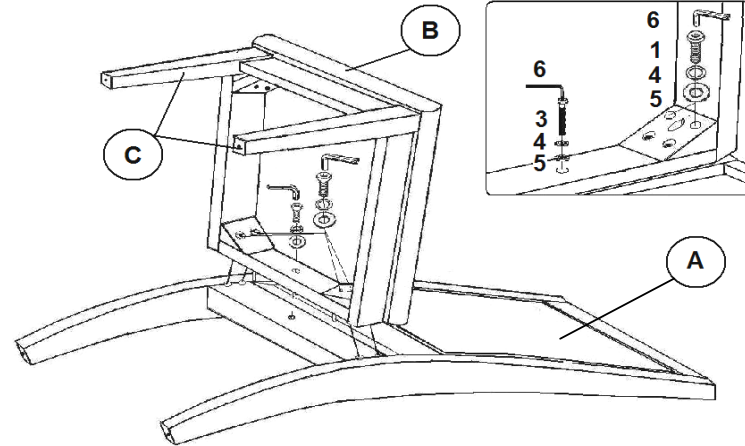
ASSEMBLY INSTRUCTIONS

ITEM NO : 5235S CHAIR

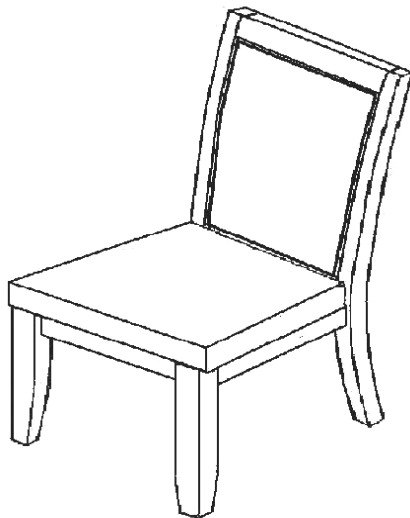
STEP 1



STEP 2



FINAL



STT	DECS	OUTLOOK	Q'TY
A	CHAIR BACK		1 PC
B	SEAT SUSHION		1 PC
C	FRONT LEG		2 PCS
STT	SIZE	OUTLOOK	Q'TY
1	5/16 X 3"		4 PCS
2	5/16 X 2-1/2"		4 PCS
3	5/16 X 1-1/2"		1 PC
4	5/16 X 3/4"		9 PCS
5	5/16 X 3/4"		9 PCS
6	4 MM		1 PC