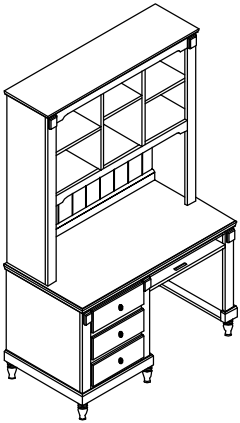


# ASSEMBLY INSTRUCTION

Item No : 875 - 10 / 11 / 875W - 10 / 11

Description : Desk & Hutch



## IMPORTANT NOTE :

- Place all wooden parts on a clean and smooth surface such as a rug or carpet to avoid the parts from being scratched.
- Check to be sure that you have all parts and hardware.
- Remove all wrapping materials, including staples & packing straps before you start to assemble.
- Do not tighten all screws / bolts until all completely assembled.
- Keep all hardware parts out of reach of children.

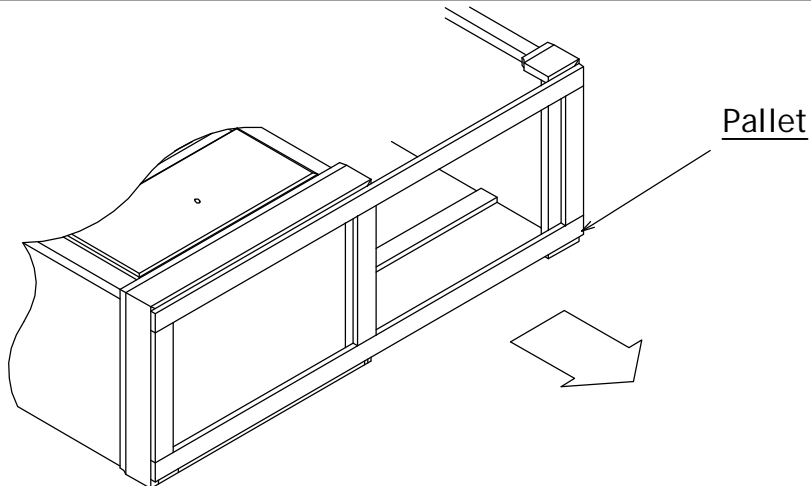
## COMPONENT LIST

NO	DESCRIPTION	QTY
1	LOWER UNIT	1 PC
2	UPPER UNIT	1 PC
3	BUN - FOOT	5 PCS
4	ADJUSTABLE SHELF ( CENTER )	1 PC
5	ADJUSTABLE SHELF ( SIDE )	2 PCS

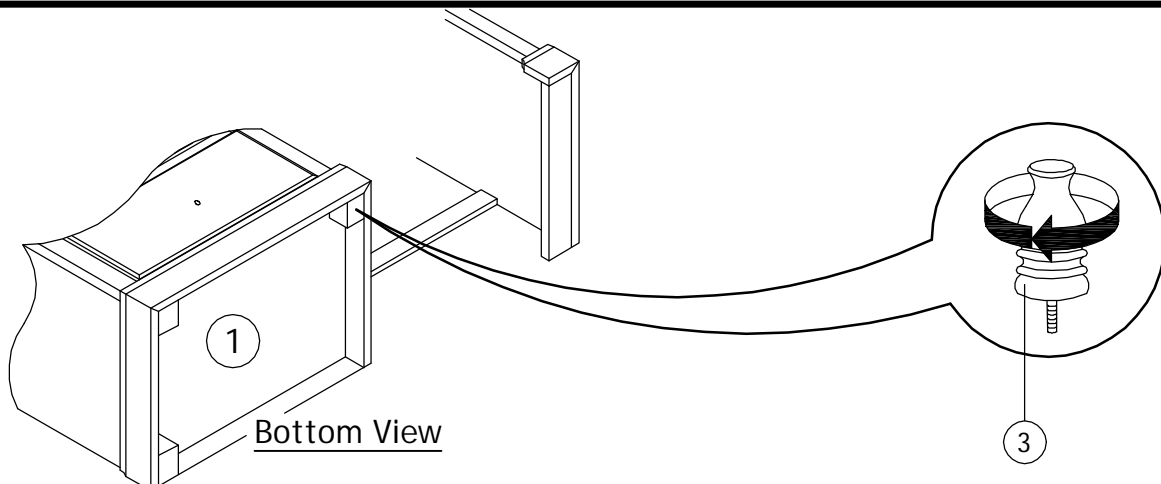
## HARDWARE LIST

NO	DESCRIPTION	QTY
A	WOODEN KNOB	3 PCS
B	SCREW KNOB ( M3.5 x 32mm )	3 PCS
C	ADJUSTABLE SHELF	12 PCS

Step : 1



Step : 2



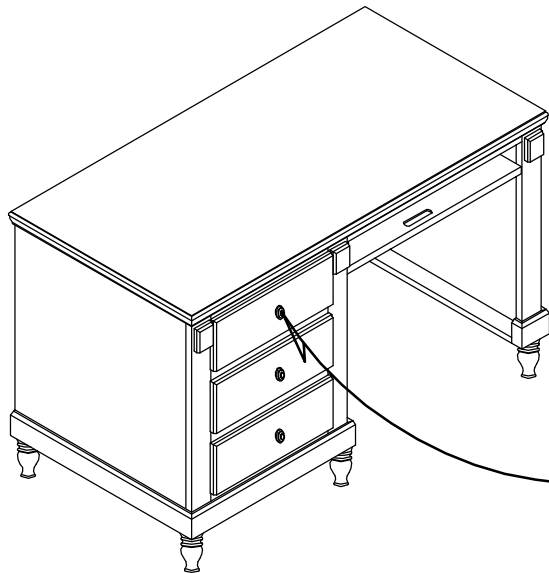
Step : 3 Place the desk to upright position.

# ASSEMBLY INSTRUCTION

Item No : 875 - 10 / 11 / 875W - 10 / 11

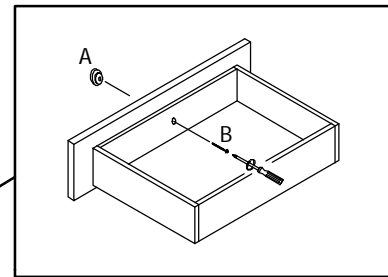
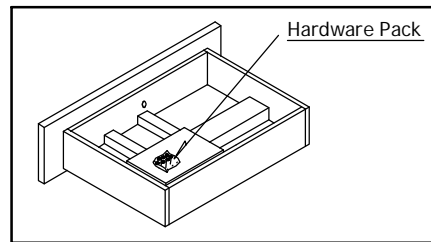
Description : Desk & Hutch

## Step : 4

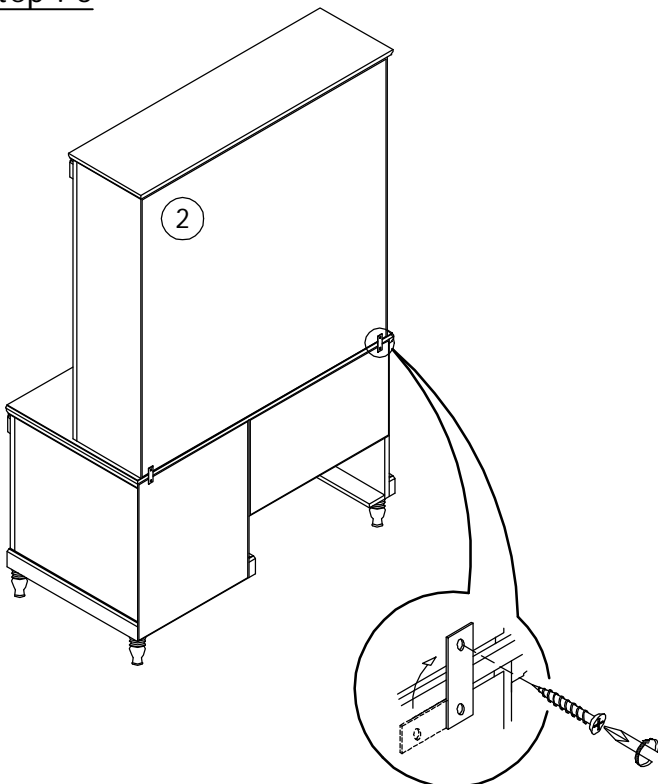


Remarks :-

Remove hardware pack from drawer box. As shown



## Step : 5



## Step : 6

