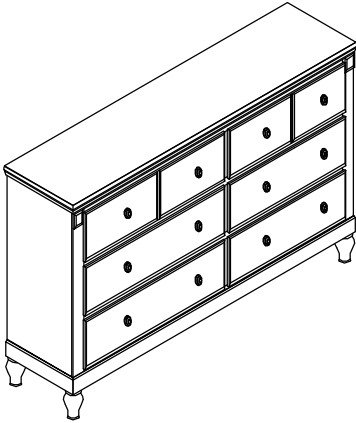


ASSEMBLY INSTRUCTION

Item No : 875 - 5

Description : Dresser



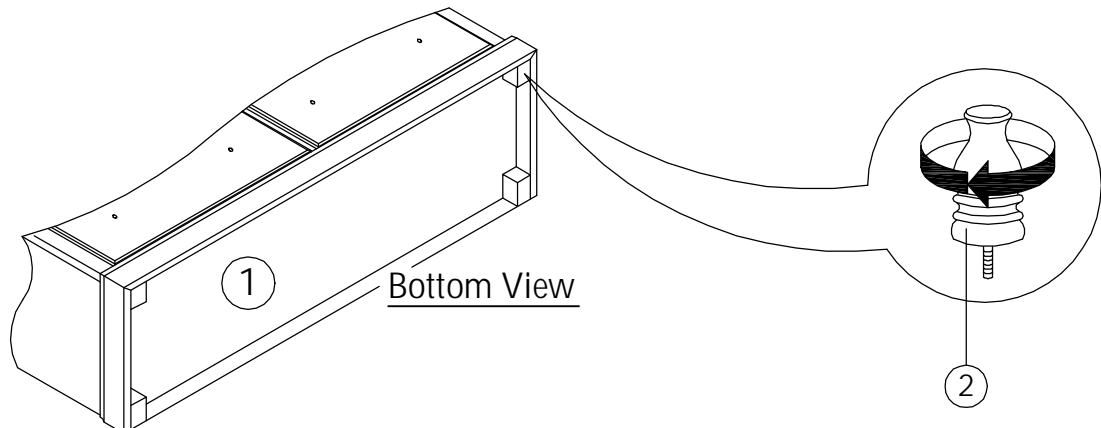
IMPORTANT NOTE :

- Place all wooden parts on a clean and smooth surface such as a rug or carpet to avoid the parts from being scratched.
- Check to be sure that you have all parts and hardware.
- Remove all wrapping materials, including staples & packing straps before you start to assemble.
- Do not tighten all screws / bolts until all completely assembled.
- Keep all hardware parts out of reach of children.

COMPONENT LIST

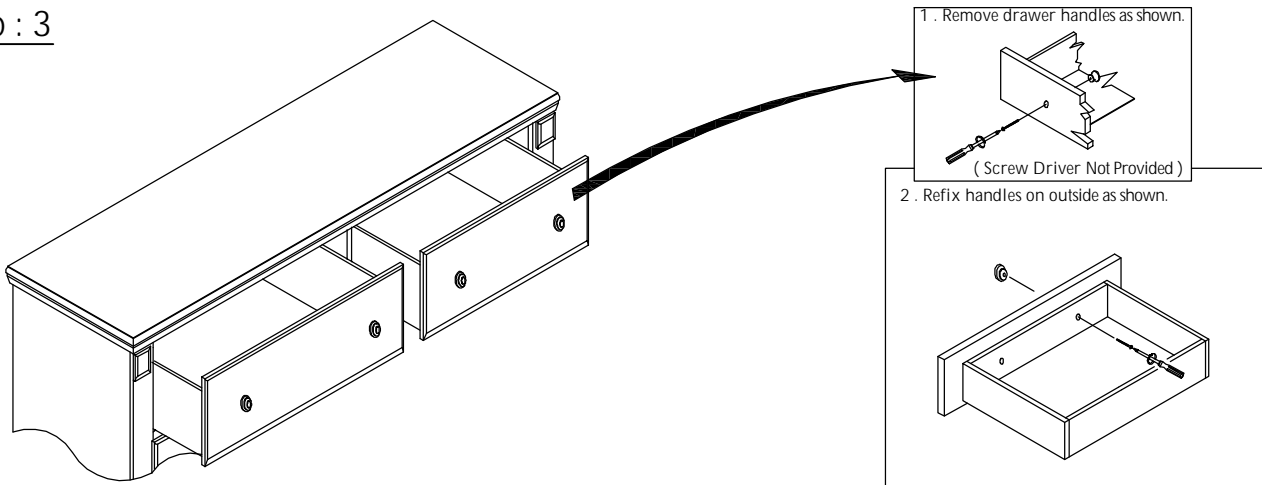
NO	DESCRIPTION	QTY
1	DRESSER	1 PC
2	BUN - FOOT	4 PCS

Step : 1



Step : 2 Place the night stand to upright position.

Step : 3



MADE IN MALAYSIA