

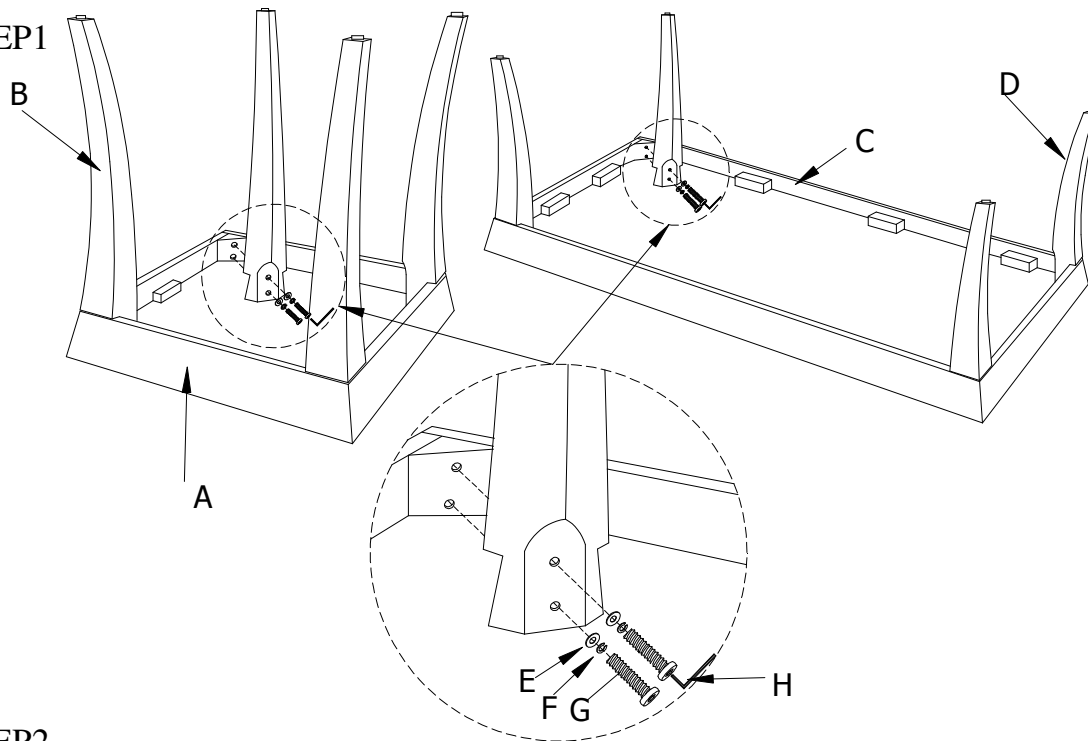
Assembly Instructions

Model:3216B-31 COFFEE TABLE END TABLE

***WHEN YOU ASSEMBLE PLEASE DO NOT TIGHTEN EACH SCREW UNTIL ALL SCREWS ARE LINED UP WITH THE FRAME.**

NO	DRAWING	DESCRIPTION	Q`TY	NO	DRAWING	DESCRIPTION	Q`TY
A		END TBL TOP	2PCS	E		FLAT WASHER Φ 5/16"*19mm	24PCS
B		END TBL LEG	8PCS	F		LOCK WASHER Φ 5/16"	24PCS
C		CKTL TBL TOP	1PC	G		BOLT Φ 5/16"*2-3/4"	24PCS
D		CKTL TBL LEG	4PCS	H		ALLEN KEY 5mm	1PC

STEP1



STEP2

