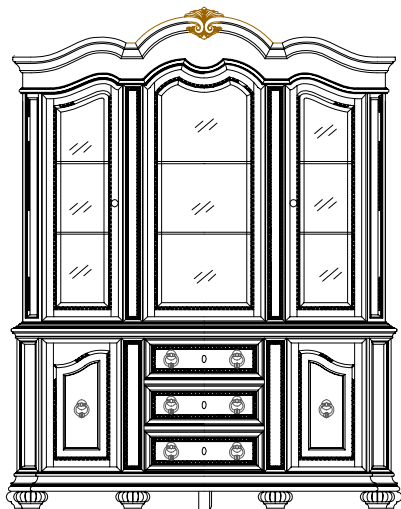
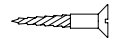
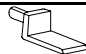


ASSEMBLY INSTRUCTIONS

ITEM NO:1390-50/1390-55

HUTCH AND BUFFET



LIST OF HARDWARE				
NO.	SKETCH	DESC	SIZE	Q'TY
A		Screw	$5/16'' \times 5/8''$ L	2 Pcs
B		Support pin		4 Pcs

Note:
Use Adjustable Floor Glide
on the front;
Use Floor Glide on the back;

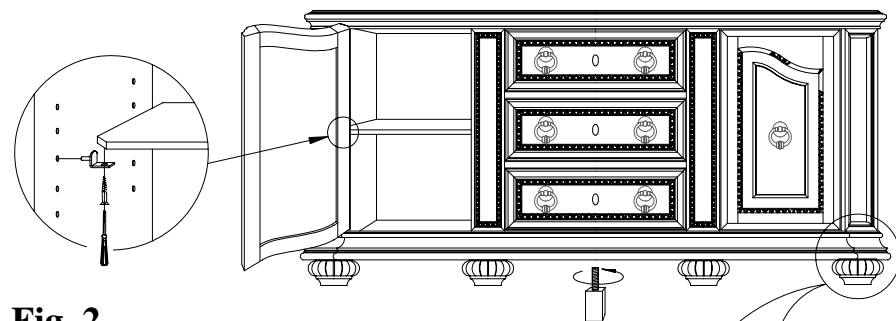


Fig. 2

Fig. 1

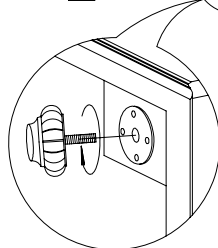
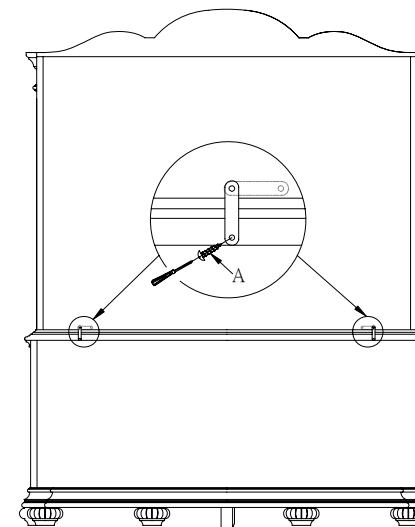


Fig. 3



1. Take out bun feet and the middle of support block from drawer, install into base by turning anticlockwise as shown in Fig 1;
2. Adjustable shelves can be moved by removing screws from underside of support pins as shown in Fig 2;
3. Put hutch on the top of buffet, rotate the bracket on the back of hutch, then insert wood screws A and tighten properly as shown in Fig 3.

MADE IN CHINA

