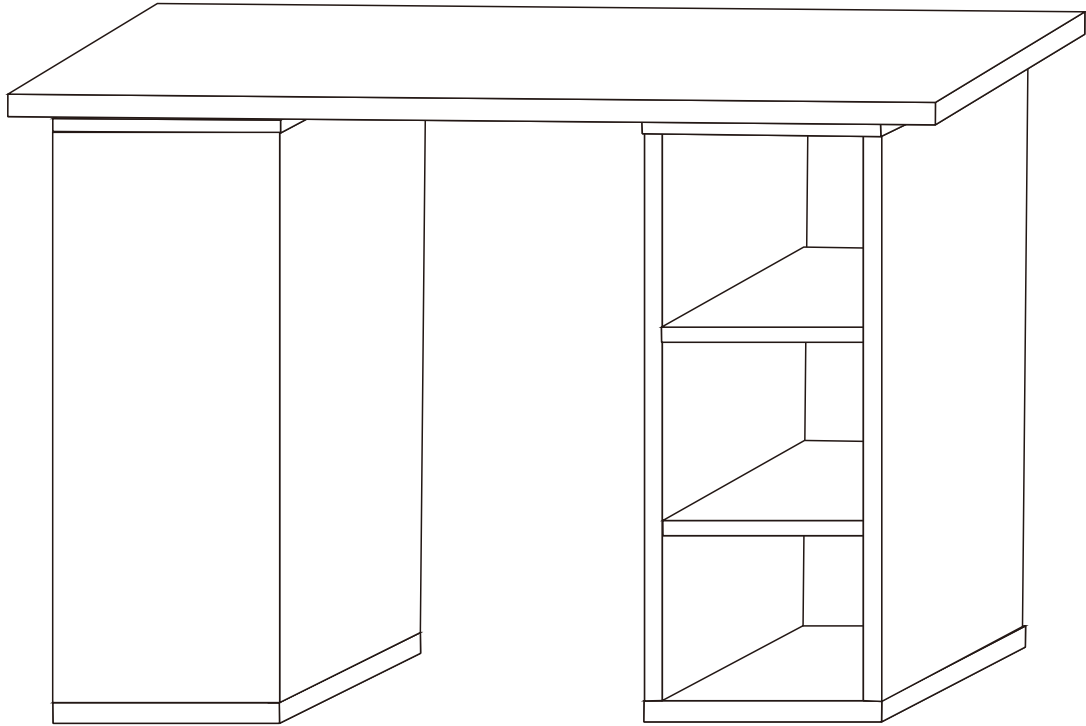


# Assembly Instruction Of Counter Height Craft Table 61217



**Thank you for purchasing our product!**

**Give us a chance to make it right.**

Do not return this item. Contact our friendly customer service department with any problems or comments. Replacements for missing or damaged parts or hardware are normally shipped within 2 to 3 days.

**TOLL FREE: 1-866-800-9905**

**Or**

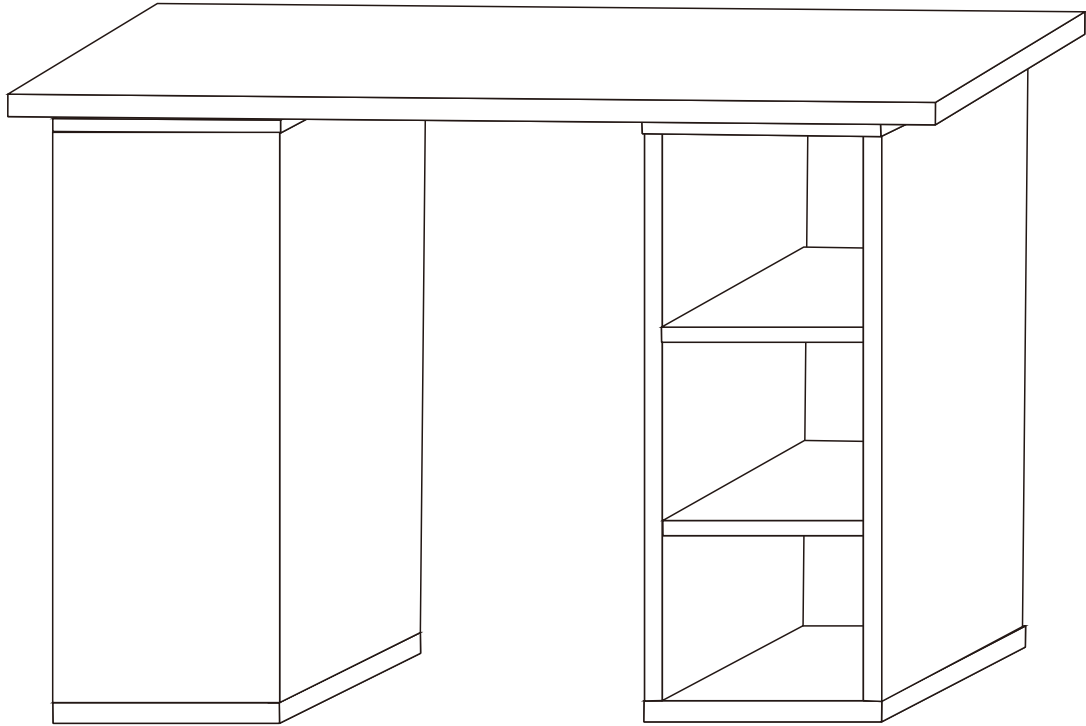
**Email : [replacementparts@buylateral.com](mailto:replacementparts@buylateral.com)  
(Mon-Fri 10am – 5pm CST)**

**(Please Have Your Order# Ready and  
contact us within 30-days from delivery date)**

**We appreciate your business!**

# Assembly Instruction Of Counter Height Craft Table

## 61217



### PART LIST

### HARWARE LIST

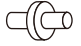















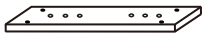
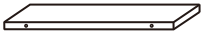
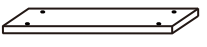
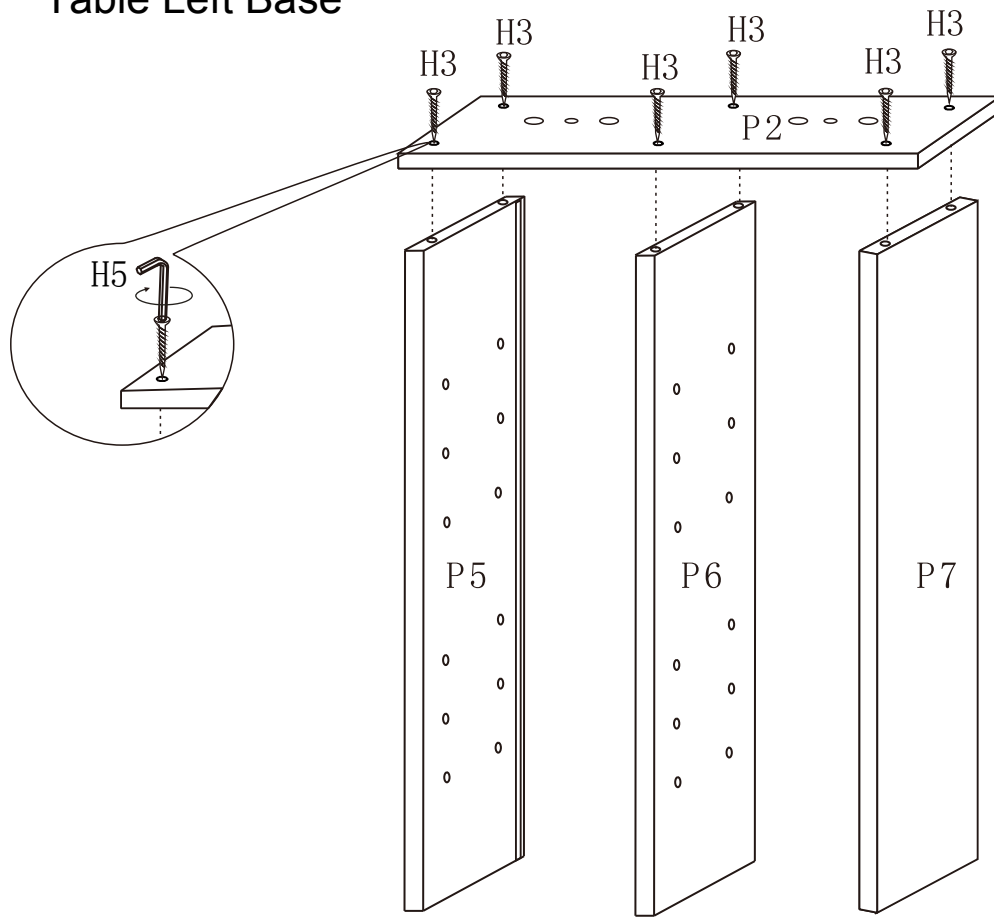
H1	Shelf Pin		16 PCS
H2	PVC Sticker		8 PCS
H3	Screw		28 PCS
H4	Screw Bolt with washer		8 SETS
H5	Allen Key		1 PCS
H6	Wooden Dowel		4 PCS
H7	EVA Mat		8 PCS

Table Left Base Parts	P1	Table Top Panel		1 PCS
	P2	Top Panel		1 PCS
	P3	Bottom Panel		1 PCS
	P4	Adjustable Shelf		4 PCS
	P5	Left Panel		1 PCS
	P6	Middle Panel		1 PCS
	P7	Right Panel		1 PCS
	P8	Back Panel		1 PCS
Table Right Base Parts	P9	Side Panel		2 PCS
	P10	Top Panel		1 PCS
	P11	Shelf		2 PCS
	P12	Bottom Panel		1 PCS

# STEP 1

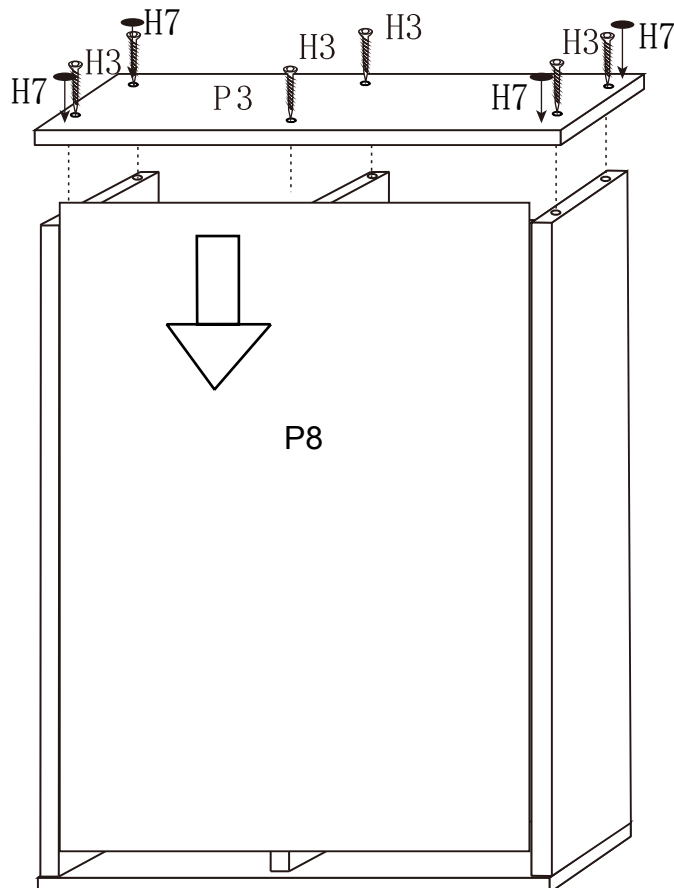
## Table Left Base



Assemble Top Panel(P2) to Left Panel( P5) &Middle Panel(P6) & Right Panel(P7) by using Screw(H3) and Allen Key(H5) as shown

# STEP 2

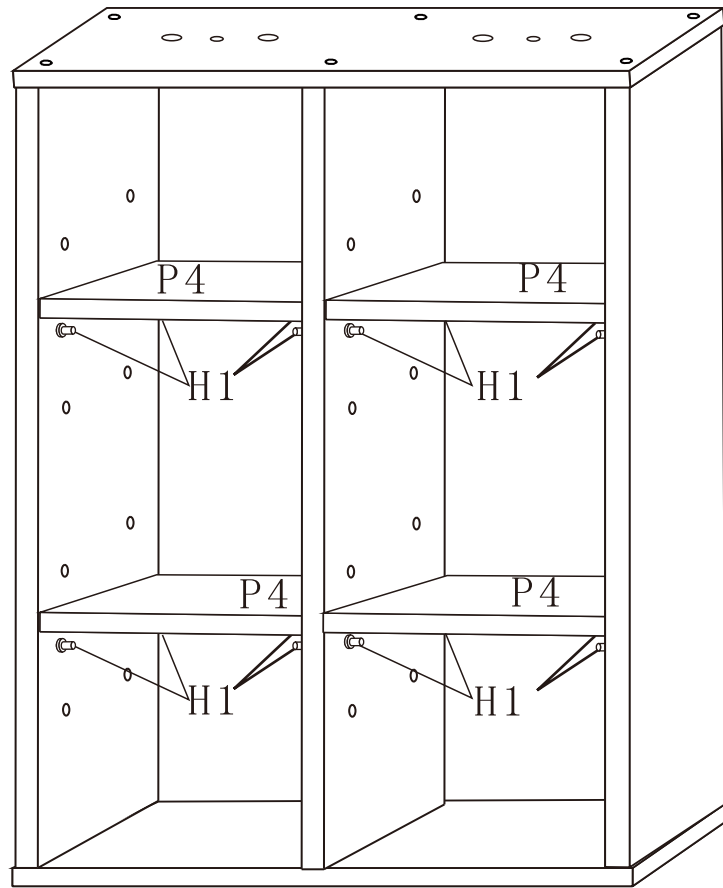
## Table Left Base



Turn the unit upside down, insert Back Panel(P8) to assembled unit, and install Bottom Panel(P3) to assembled unit by using Screw(H3),then put EVA Mat(H7) as shown.

## Table Left Base

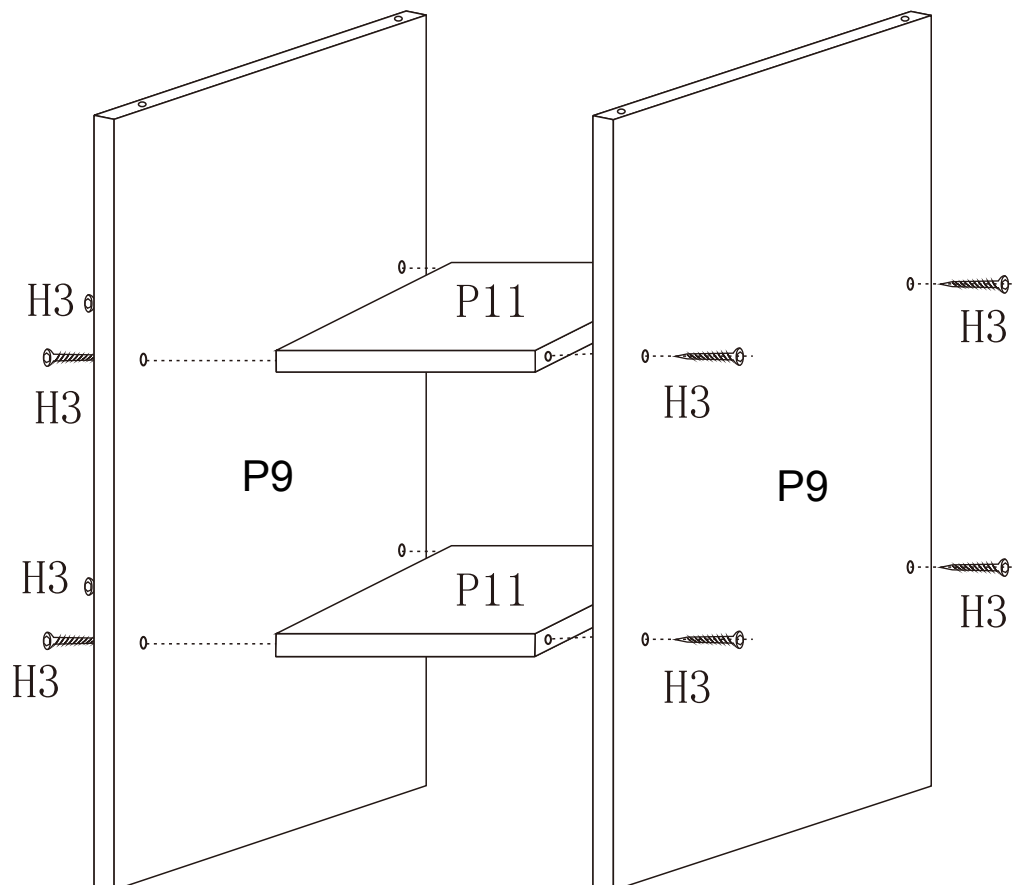
### STEP 3



Insert Shelf Pin(H1) to the assembled unit,then put Adjustable Shelf(P4) as shown

### STEP 4

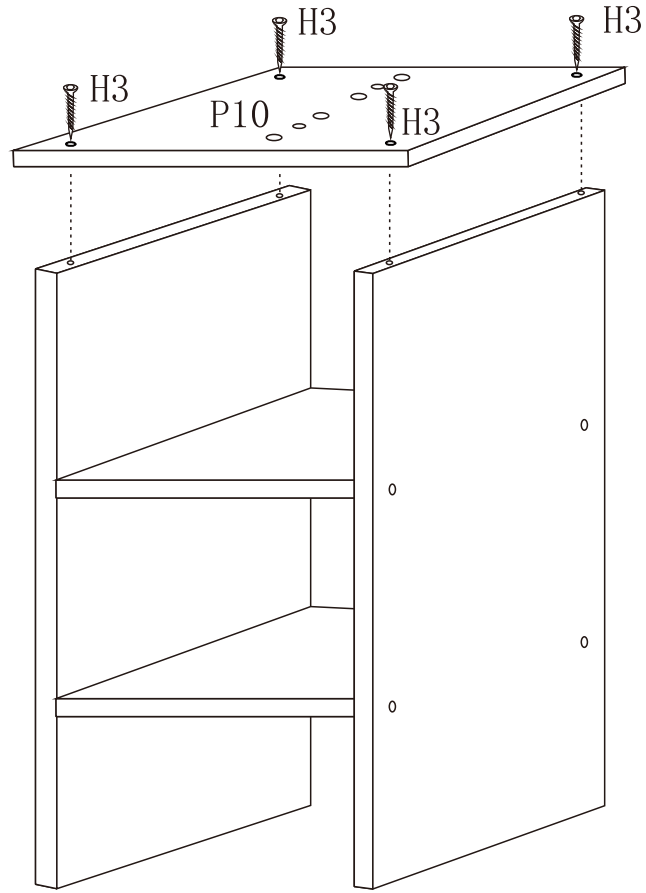
## Table Right Base



Assemble Shelf(P11) to Side Panel(P9) by using Screw(H3) as shown

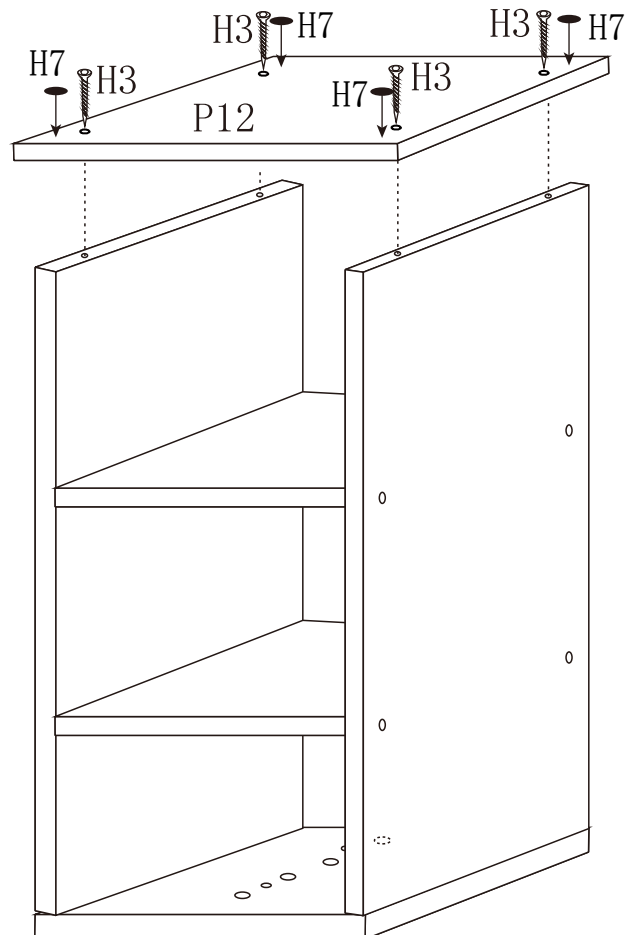
## Table Right Base

### STEP 5



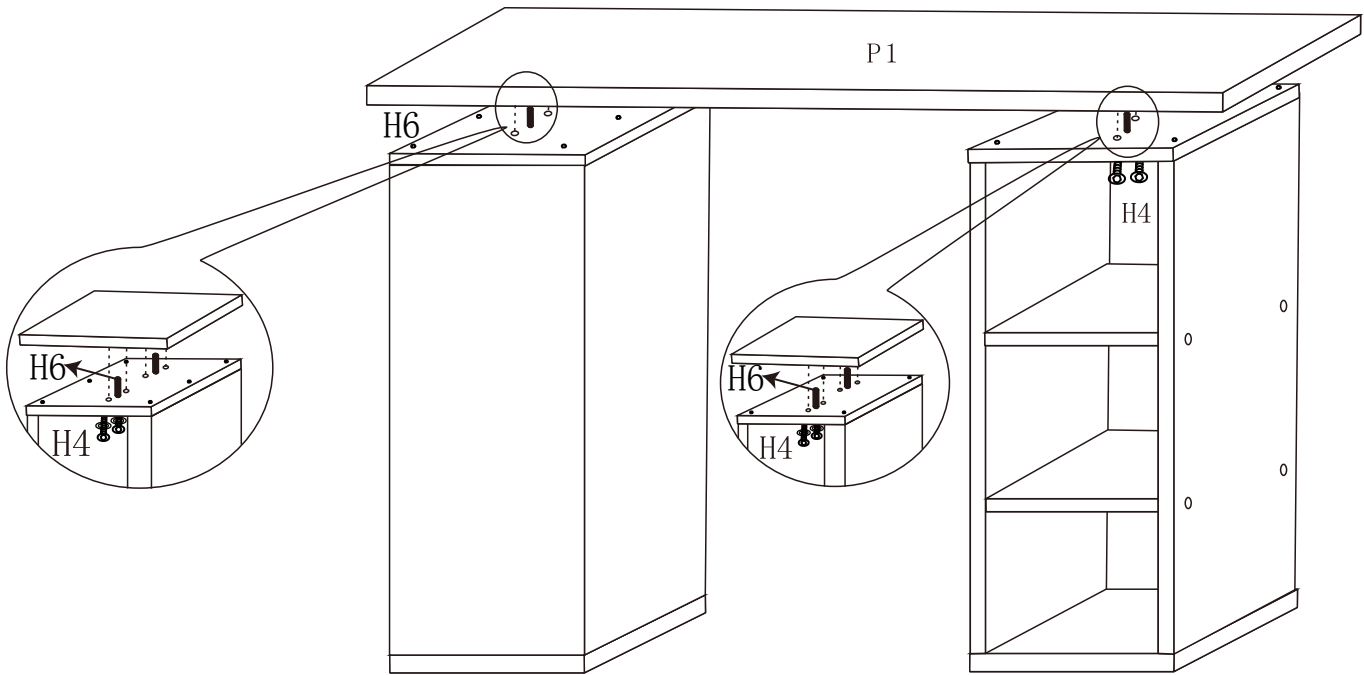
Install Top panel(P10) to assembled Unit by using Screw(H3) as shown

### STEP 6 Table Right Base



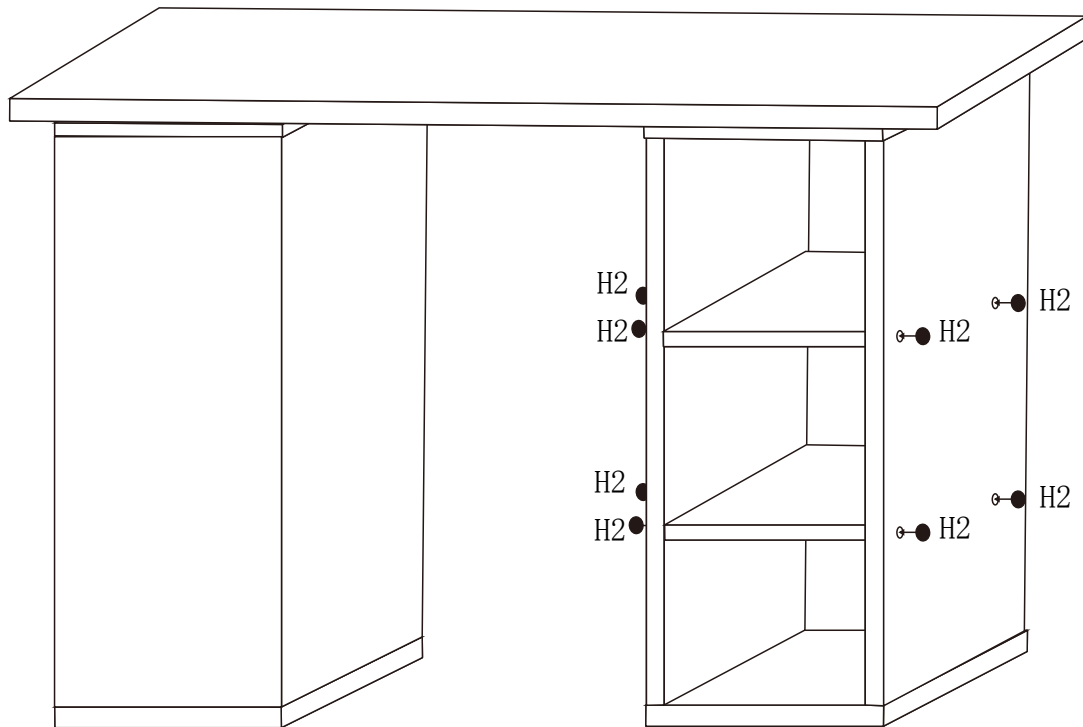
Install Bottom panel(P12) to assembled Unit by using Screw(H3) then put EVA Mat(H7) as shown

## STEP 7



Assemble Table Top Panel(P1) to the assembled units by using Screw Bolt with washer(H4) and Wooden Dowel(H6) and Allen Key(H5) as shown

## STEP 8



Stick the PVC sticker(H2) to cover the screws as shown