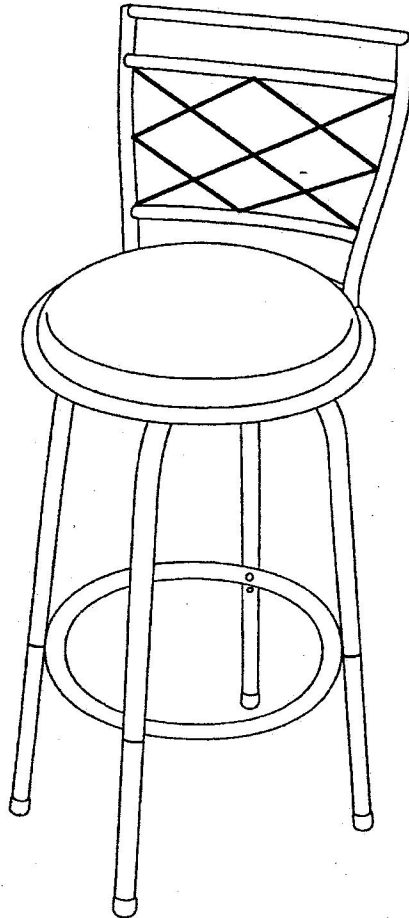


# ASSEMBLY INSTRUCTIONS

## 96200 AVERY ADJUSTABLE BARSTOOL



Thank you for purchasing this wonderful product from us. The extension leg adjustable height stool can be adjusted to either 24 or 30 inches.

Please note that if you plan to assemble all the three barstools to 24" stools, you will have extra pieces of Extension Leg(C)-12pcs, Bolt(2)-12pcs.

Made In China

96200

Before beginning assembly the stool, please read these instructions carefully and completely. Remove all wrapping material, staples and straps from the carton. Be sure you have all parts and hardware before you start assembling.

Parts and hardware list for 3 pieces of barstools as shown table below.

PARTS LIST		
ITEM	DESCRIPTION	QTY
A	U Shape Upper Leg	3pcs
B	U Shape Lower Leg	3pcs
C	Extension Leg (for 30" stool only)	12pcs
D	Swivel Plate	3pcs
E	Seat Frame	3pcs
F	Ring	3pcs
G	Seat Cushion	3pcs
H	Plastic Cap (for 24" stool only)	12pcs

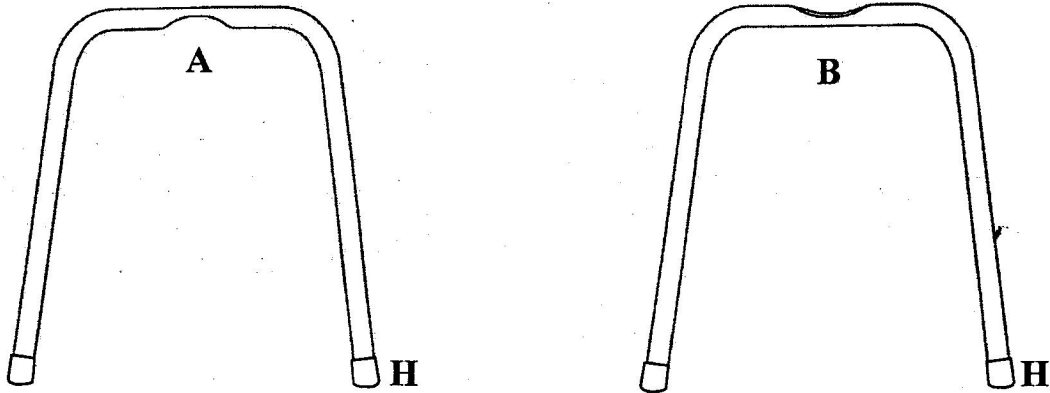
HARDWARE LIST		
ITEM	DESCRIPTION	QTY
1	Bolt(M6*25)	24pcs
2	Bolt(M6*12)	36pcs
3	Allen Key	1pc

### **IMPORTANT NOTES**

1. Place all the parts on a clean and flat soft surface, such as carpet or rug to prevent from being scratched.
2. Separate each type of part before beginning assembly the stool.
3. **DO NOT FIRMLY TIGHTEN ALL BOLTS UNLESS IS INSTRUCTED.**

## STEPS TO ASSEMBLE 24" STOOL

(1) Attach the Plastic Cap(H) to the bottom of U Shape Upper and Lower Legs(A) and (B).



(2) Please follow assembling instruction from Step 2 to 6.

## STEPS TO ASSEMBLE 30" STOOL

Step 1

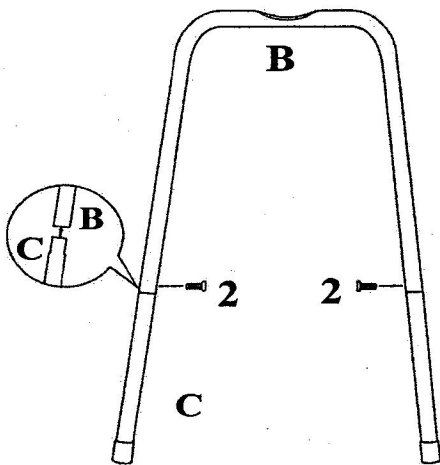


Fig.1

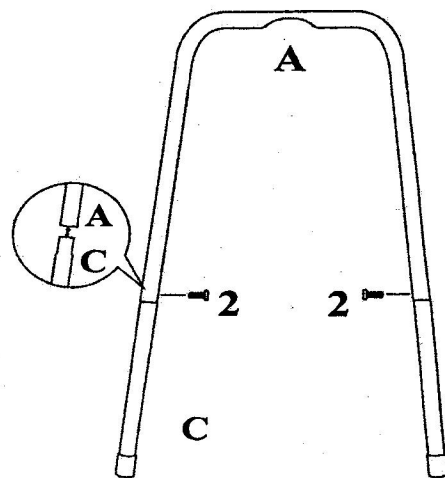
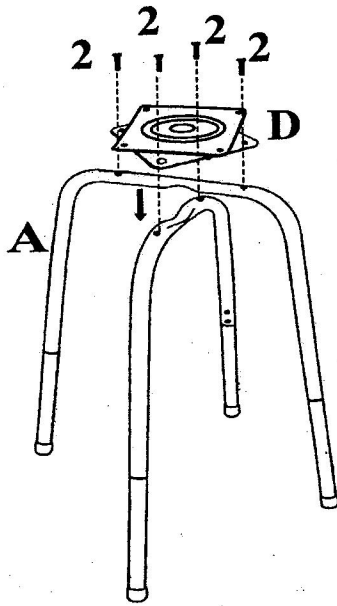


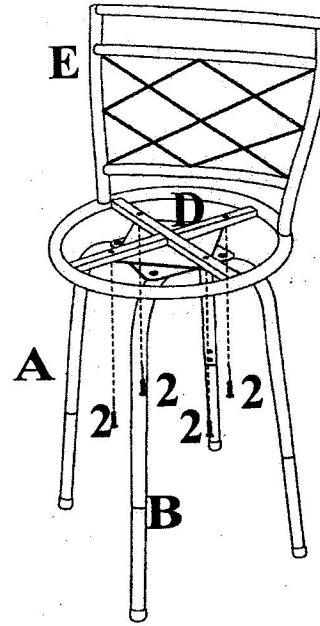
Fig.2

- (i) Attach the Extension Leg(C) into the underneath holes of U Shape Upper and Lower Leg(A) and (B).
- (ii) Align the Extension Leg holes and the holes of U Shape Upper and Lower Leg(A) and (B).
- (iii) Then, firmly tighten with Bolts(2) using Allen Key(3) as shown in Fig. 1 & 2.

**Step 2**



**Fig.3**



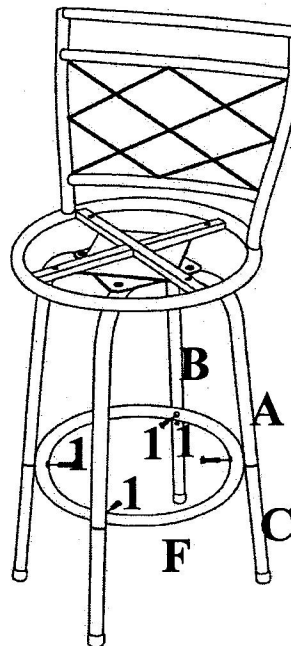
**Fig.4**

- (i) Position both of the U Shape Legs as shown in Fig. 3.
- (ii) Then, place the Swivel Plate(D) on the top of both legs.
- (iii) Align the holes of U Shape Upper and Lower Leg(A) and (B) and the Swivel Plate (D) holes.
- (iv) Then, tighten with Bolts (2) using Allen Key (3).

**Step 3**

- (i) Attach the Seat Frame (E) to the Swivel Plate(D) as shown in Fig. 4. Please ensure both of the holes are aligned.
- (ii) Then, use Bolts(2) to tighten them.

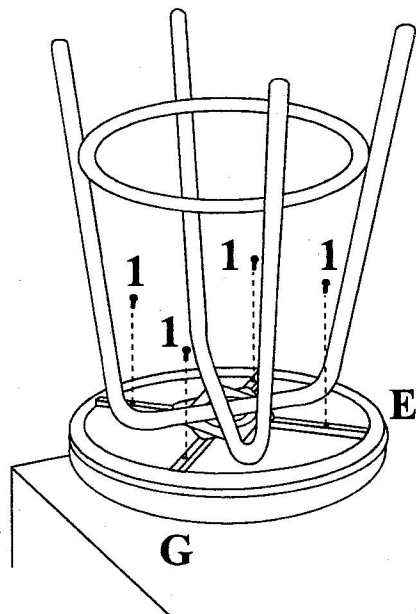
**Step 4**



**Fig.5**

Use Bolts(1) to attach the Ring(F) to the legs as shown in Fig. 5. Do not firmly tighten all the Bolts (1) until all the bolts are locked into the holes.

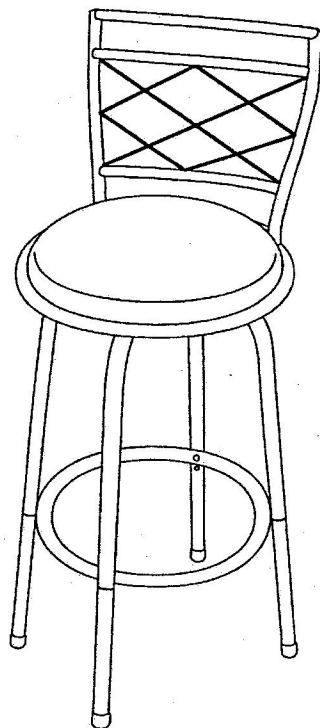
### Step 5



**Fig.6**

- (i) Turn the stool upside down.
- (ii) Use Bolts(1) to attach the Seat Cushion(G) as shown in Fig. 6.

### Step 6



**Please ensure all the bolts are firmly tighten.**