

NOOK CORNER ASSEMBLY INSTRUCTION**Figure one:**

Attach Wooden Dowel(C) to Long Seat Back Bar(19) with Glue(F),Then Assembled to Long Seat Back(5) With Glue(F) As Shown.

Figure two:

Attach Long Storage Shelf Rails(14) to Long Nook Side(3) with Glue(F),and attach Long Seat Bench(8) to Long Nook Side(3) with Pivot Pin(G).

Figure three:

Assemble Long Storage Shelf Rails(14) and Long Seat Back(5) to Long Nook Side(3) with Bolt(A) ,Screw Nut(D) and Glue(F) as shown. Insert Long Shelf Base (16) to Assembled Unit as shown.

Figure Four:

Assemble Long Nook Side(1) to Assembled Unit with Bolt(A),Screw Nut(D) and Glue(F) as shown.

Figure Five:

Attach Wooden Dowel (C) to Short Seat Back Bar (18),then assembled to Short Seat Back (6)with Glue(F) as shown.

Attach Short Storage Shelf Rails(15) to Short Nook Side(2) with Glue(F),and Attach Short Seat Bench(9) to Short Nook Side(2) With Pivot Pin (G).

Figure Six:

Assemble Short Storage Shelf Rails(15) and Short Seat Back(6) to Short Nook Side(2) with Bolt(A),Screw Nut(D) and Glue(F) as shown. Then insert Short Shelf Base(17) to Assembled Unit.

Figure Seven:

Assemble Short Nook Side(4) to Assembled Unit with Bolt(A),Screw Nut(D) and Glue(F) as shown.

Figure Eight:

Assemble Conner Seat(10) to assembled unit with Screw(B)and Glue(F) as shown.

Figure Nine:

Assemble the two Wings(12&13) to Assembled Unit with Screw(B) and Glue(F) as shown.

Figure Ten:

Assemble Conner Top Shelf(11)to Wings(12&13) with Screw(B) As shown.

Figure Eleven:

Assemble Conner Back Rest(7) to Wings(12&13) with Screw(B) as shown

Figure Twelve:

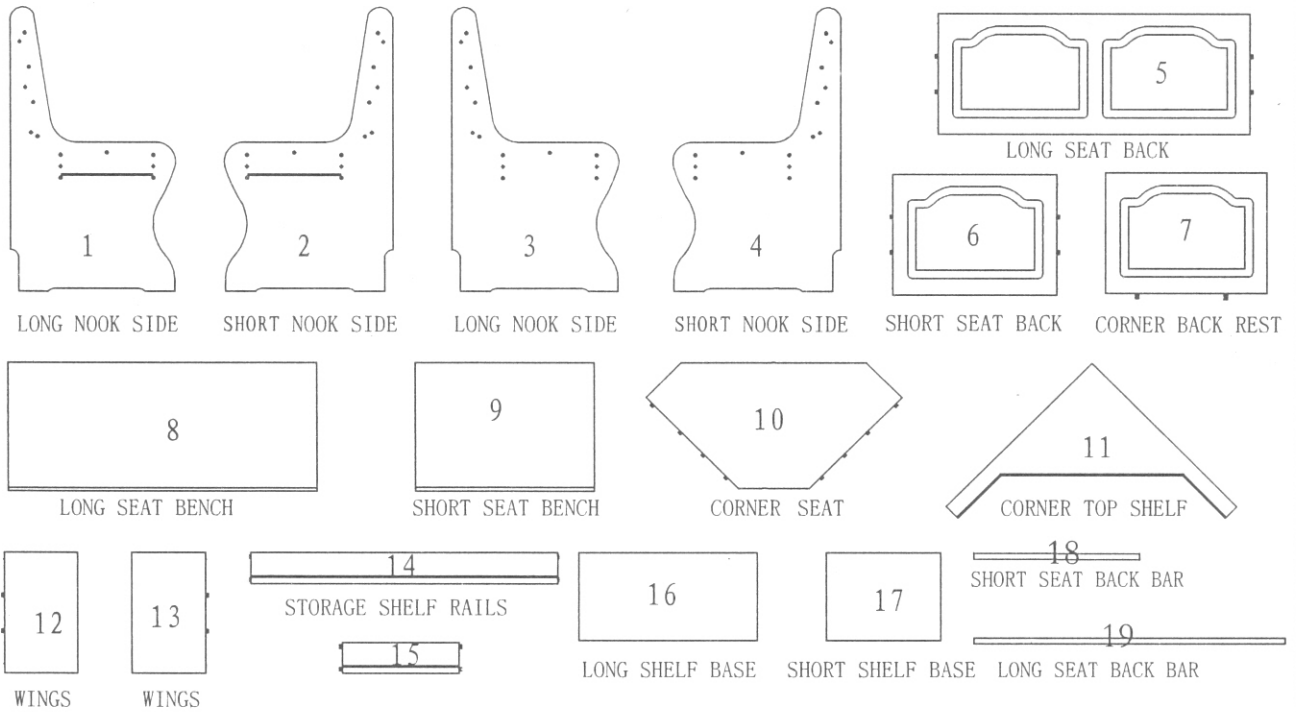
Assemble Conner Seat(10) to Conner Back Rest(7) with two Conner Brackets (I) by using Screw(H) and screw(B) as shown.

Figure thirteen:

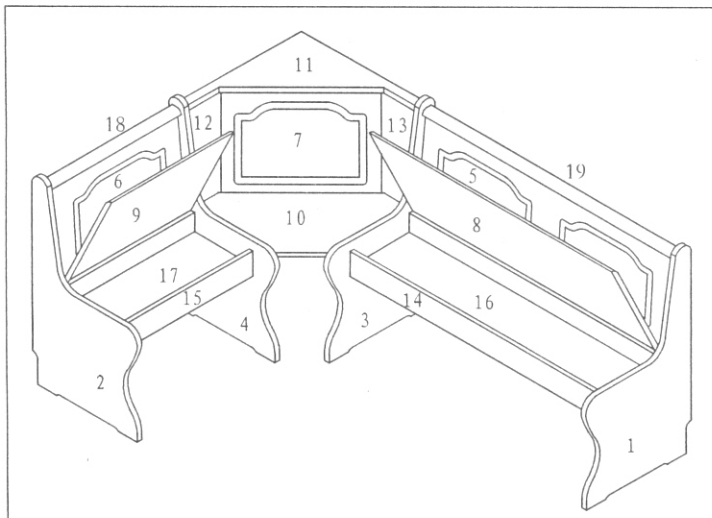
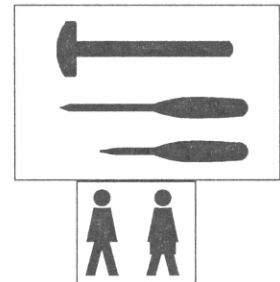
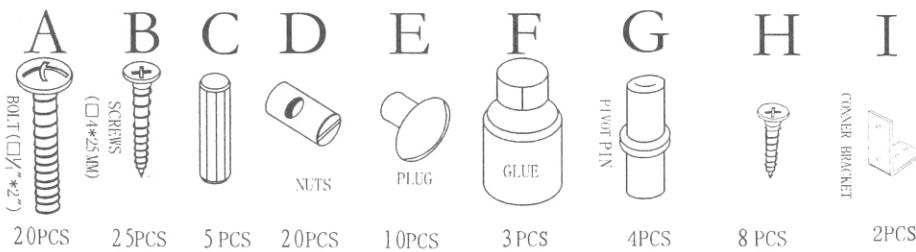
Attach Plastic Plug(E) to Assembled Unit as shown.

NOOK CORNER ASSEMBLY INSTRUCTION

This item consists of two cartons 1 and 2, and customer needs to open up both cartons to assemble the furniture



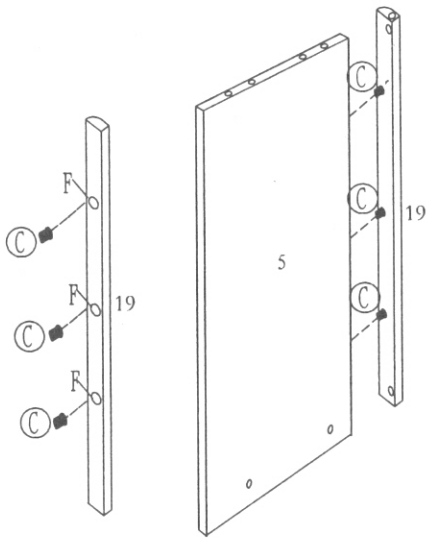
HARDWARE LIST



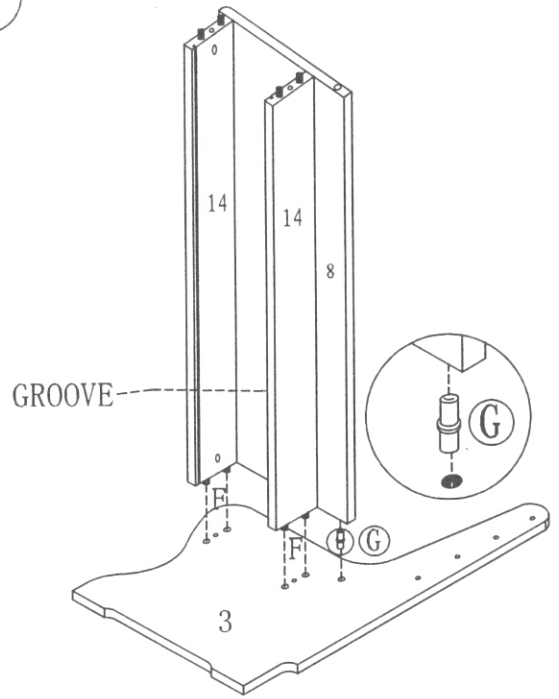
Assembly Instructions
 Begin by separating the parts as per drawing above in Box 1 and 2,
 The parts are numbered for easy identification
 To prevent damage to the Product, be sure to assemble on a soft surface such as carpet, or place towels under the product during assembly
 Please follow the assembly instructions step by step to avoid problems
IMPORTANT NOTE.
 IT IS RECOMMENDED THAT ALL PLECES BE ASSEMBLED WITH A MANUAL SCREW DRIVER.
 IF A DRILL IS USED IT IS RECOMMENDED NOT TO APPLY-STRENGTH. IN ORDER TO AVOID SCRATCHES AND CRACKS.

98.6340
 98.6361

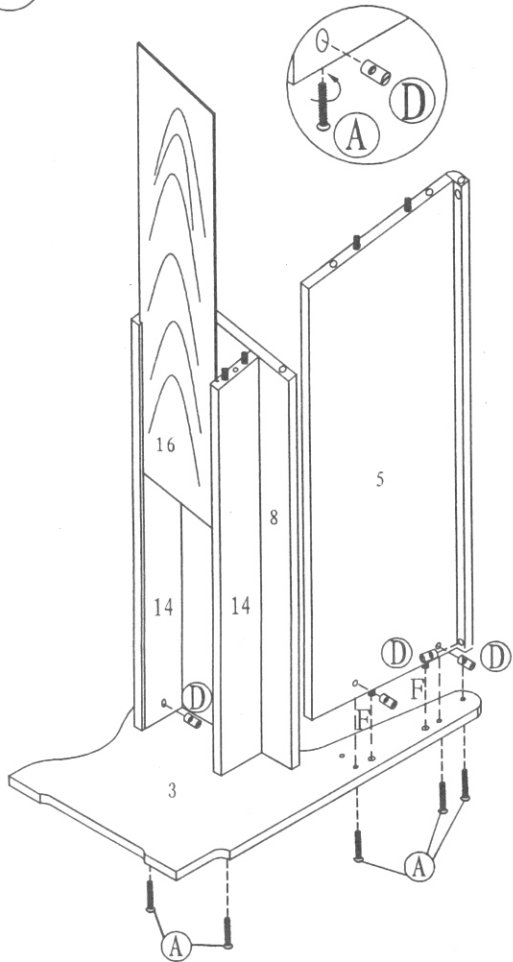
1



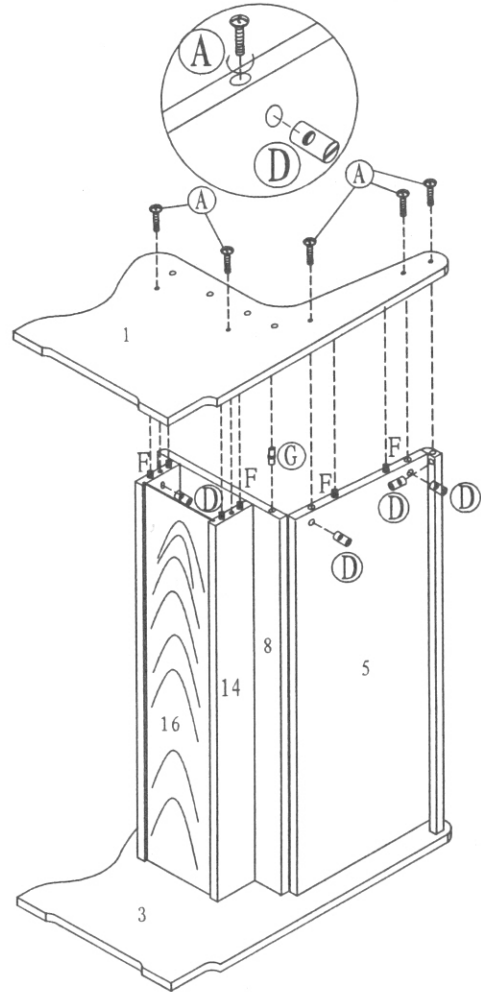
2



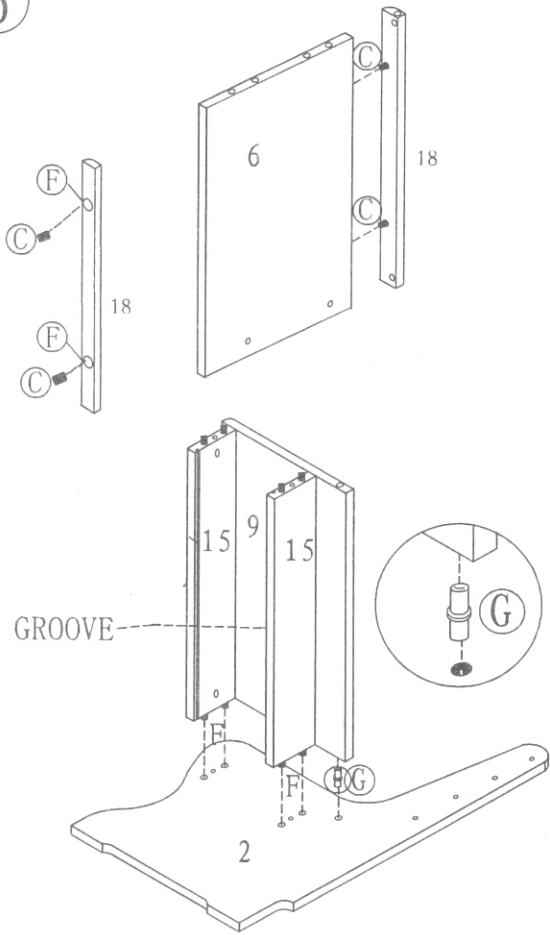
3



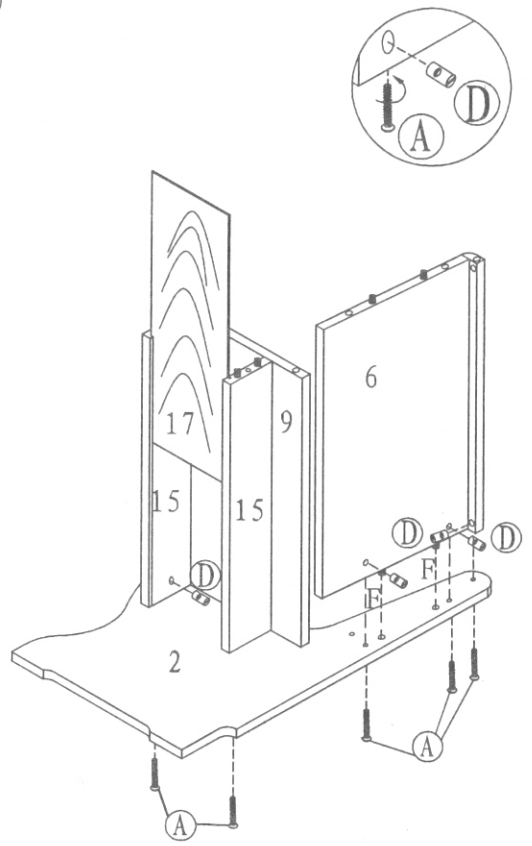
4



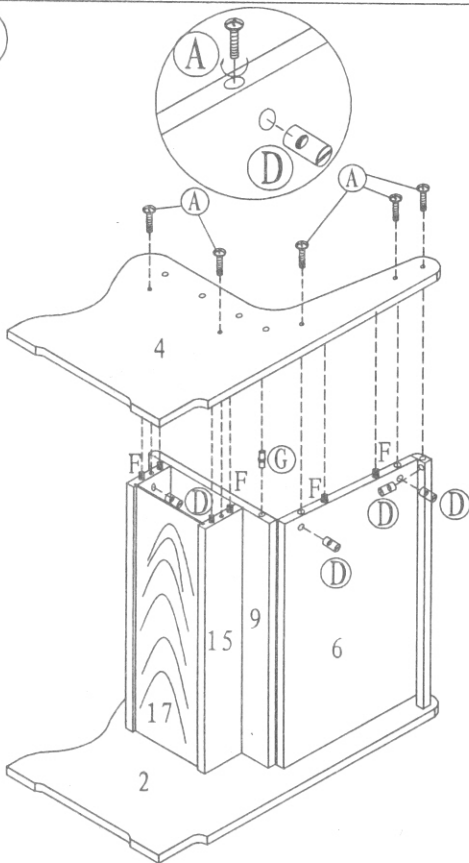
5



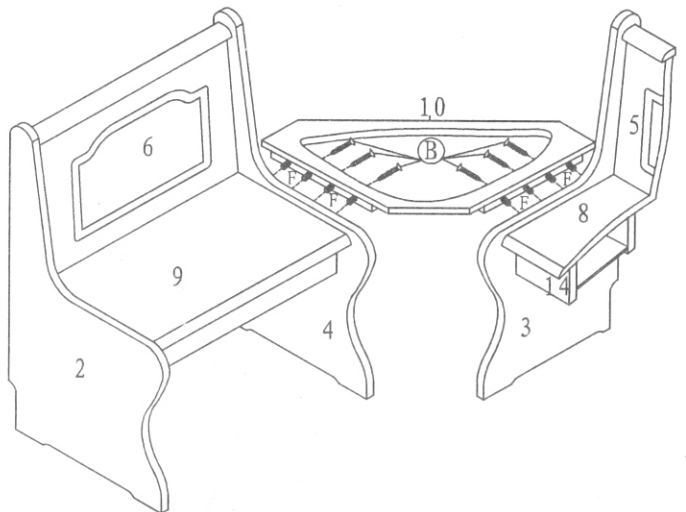
6

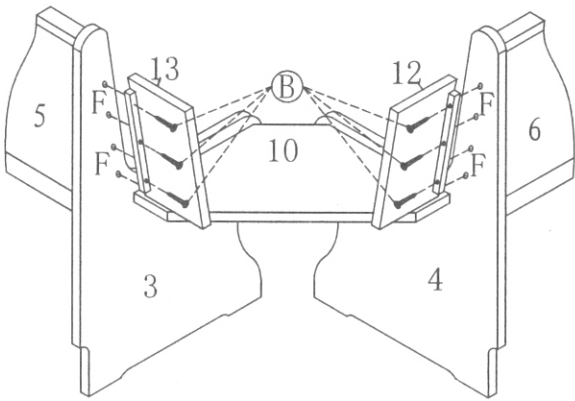
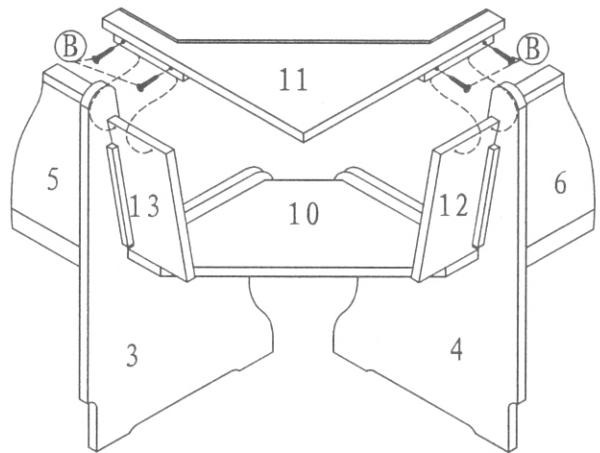
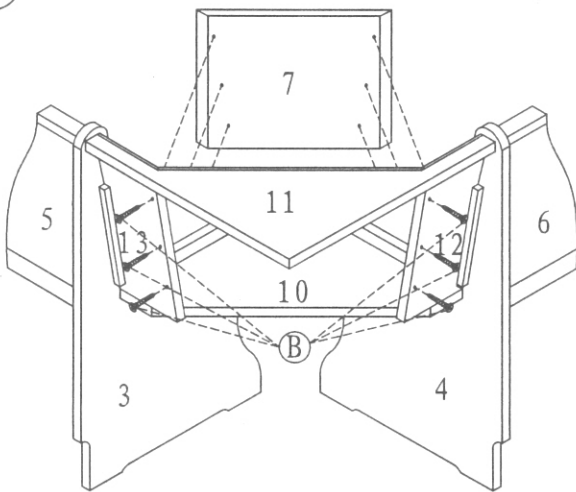
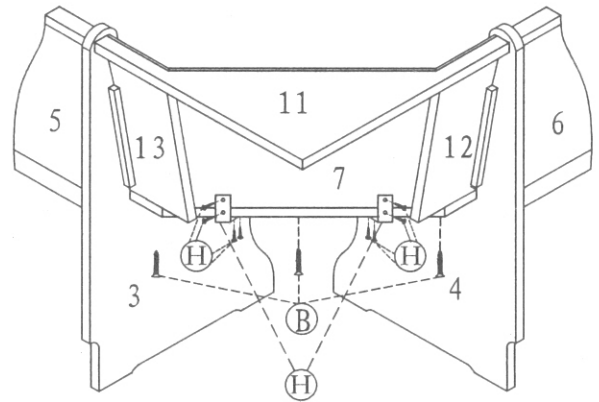
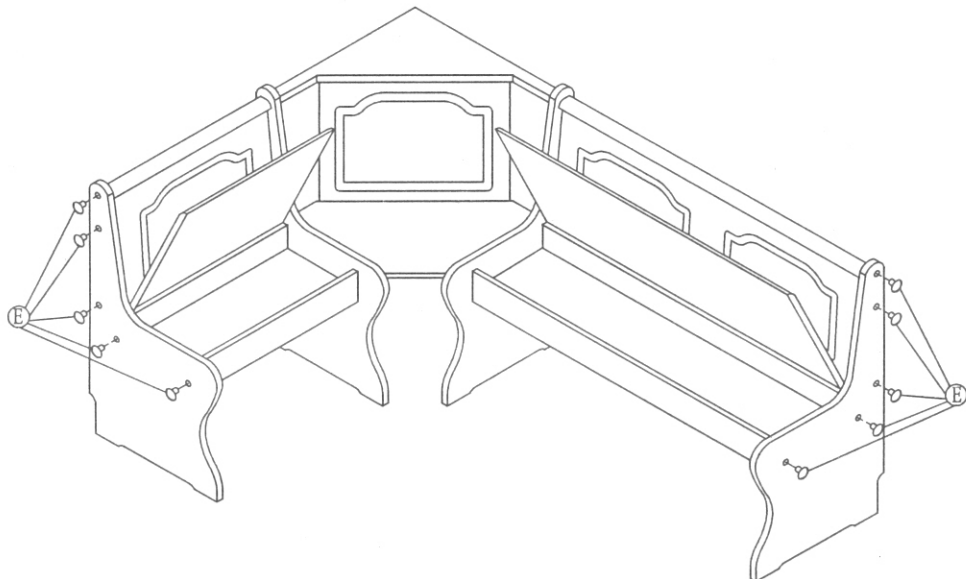


7



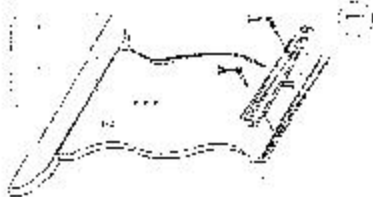
8



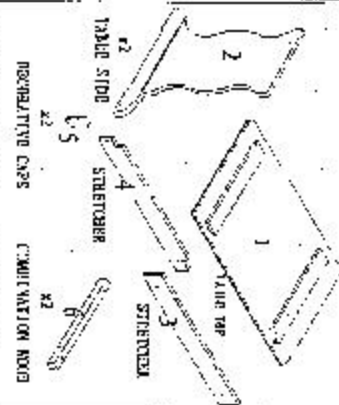
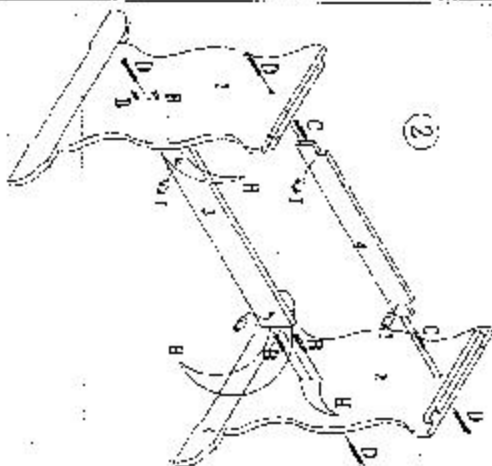
9**10****11****12****13**

Black

40096

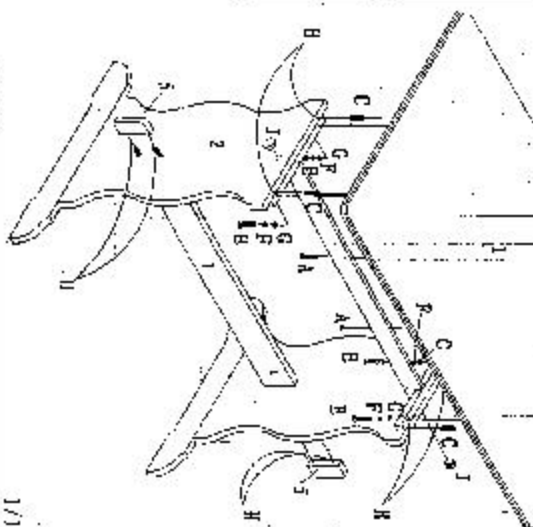


51.2273
51.2284



ASSEMBLY INSTRUCTIONS

TABLE TOP x2
REGULATING CAPS x2
STRETCHER x4
STRETCHER x2
STRETCHER x2



3

WOOD SCREWS (4x22)

LONG NUTS (10x30)

REG. DOPEL (10x30)

MACHINE SCREWS (6x30)

MACHINE SCREWS (6x38)

LOCK WASHERS

FLAT WASHERS

NUTS

WASHERS

WASHERS

WASHERS

WASHERS

WASHERS

WASHERS

WASHERS

WASHERS

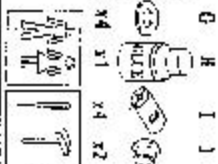
WASHERS

WASHERS

WASHERS

WASHERS

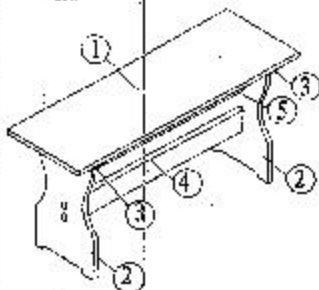
HARDWARE LIST



ASSEMBLING INSTRUCTIONS

Position your bench on it's side. Go to rebarwood to place width of towel underneath the product to prevent the floor during assembly. After the bench is assembled, be sure to glue the wood plugs into place to conceal the bolt heads.

RS. 4215
911.6211



HARDWARE LIST

A	B	C	D	E	F	G
MACHINE SCREWS (3x10) x4	WOOD SCREWS (4x32) x14	 x4	LONG DOWEL (1.0x30) x8	SHORT DOWEL (1.0x20) x4	GLUE x1	 x4

IMPORTANT NOTE:
IT IS RECOMMENDED THAT ALL PIECES BE ASSEMBLED WITH A MANUAL SCREW DRIVER, IF A DRILL IS USED IT IS RECOMMENDED NOT TO APPLY STRENGTH, IN ORDER TO AVOID SCRATCHES AND CRACKS.

5. *Prave Praved*

