

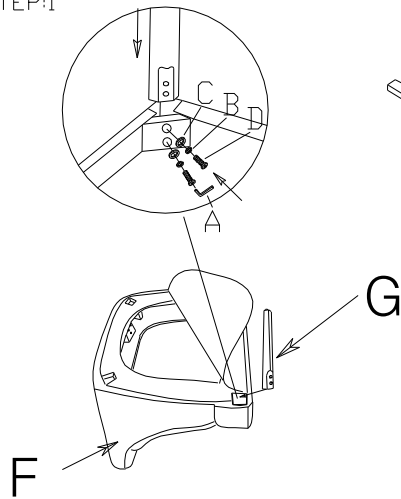
ASSEMBLY INSTRUCTION

MODEL: #7960/7961/7962(07/2009)(V#47HD1)

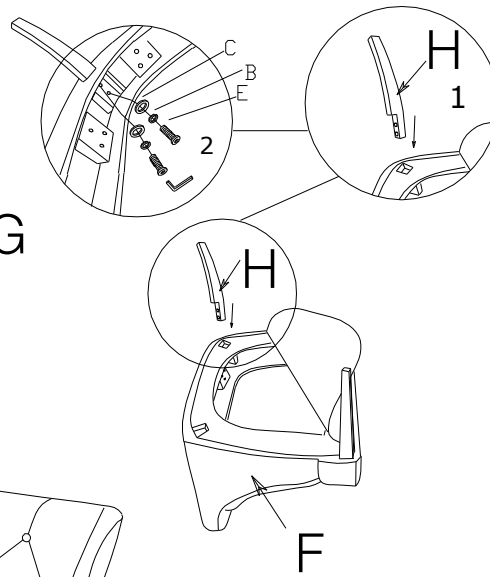
**NOTE: THIS ITEM NOT RECOMMENDED FOR COMMERCIAL USE
KEEP THIS DOCUMENT FOR REFERENCE IN CASE PARTS NEEDED
*DO NOT TIGHTEN SCREWS UNTIL COMPLETELY ASSEMBLED!!**

No	DESCRIPTION	Q'TY
A	ALLEN WRENCH 5MM	1PC
B	LOCK WASHER $\varnothing 5/16"$ DIA	8PCS
C	FLAT WASHER $\varnothing 5/16"$ DIA	8PCS
D	BOLT $\varnothing 5/16" \times 4-1/2"$	4PCS
E	BOLT $\varnothing 5/16" \times 2-1/2"$	4PCS
F	SEAT W/BACK	1PC
G	FRONT LEGS $1-3/4" \times 1-3/4" \times 13"$	2PCS
H	BACK LEGS $1-1/4" \times 2" \times 12"H$	2PCS

STEP:1



STEP:2



STEP:3

