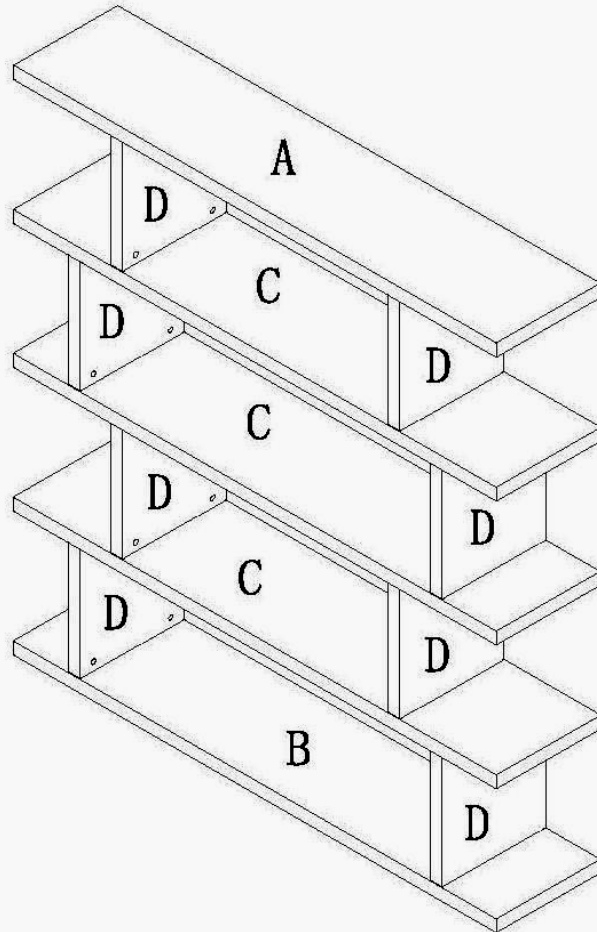


ASSEMBLY INSTRUCTIONS

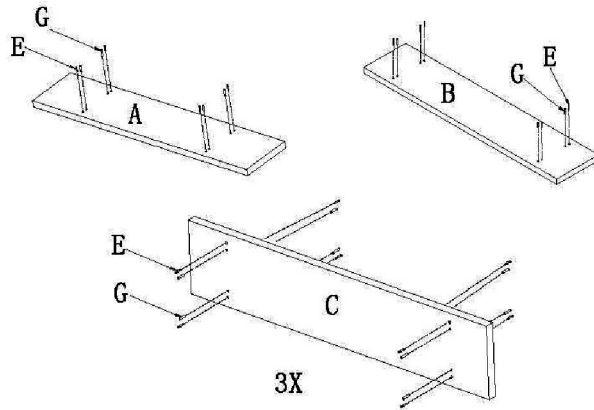
MODEL: 7900 (07/2010) (V#47DK1)

NOTE: THIS ITEM NOT RECOMMENDED FOR COMMERCIAL USE
KEEP THIS DOCUMENT FOR REFERENCE IN CASE PARTS ARE NEEDED
DO NOT TIGHTEN SCREWS UNTIL COMPLETELY ASSEMBLED!!

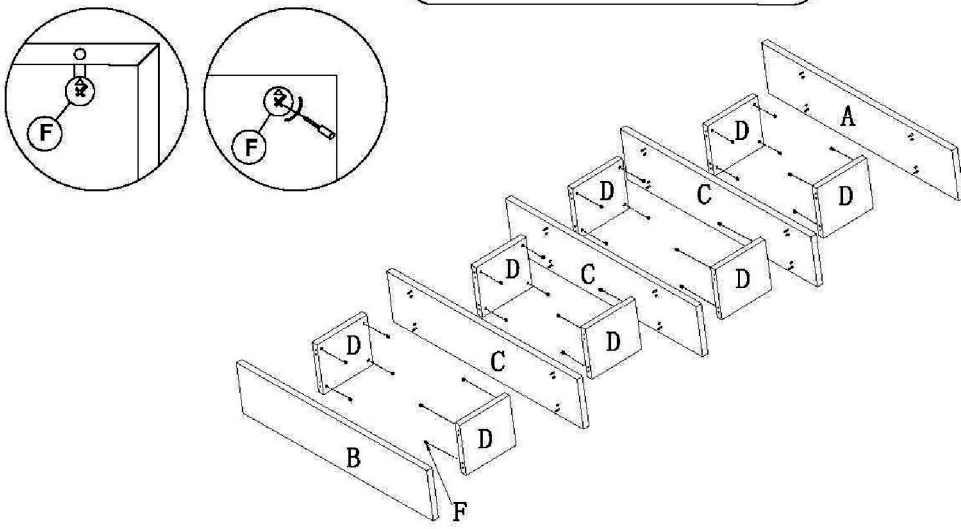
NO.	DESCRIPTION		Q'TY
A	TOP	63"X13.6"X1.5"	1PC
B	BOTTOM	63"X13.6"X1.5"	1PC
C	SHELF BOARD	63"X13.6"X1.5"	3PCS
D	UPRIGHT	14.7"X13.5"X1.5"	8PCS
E	CAM LOCK	1.1"	32PCS
F	CAM PLATE	DIA0.6"	32PCS
G	DOWEL	DIA0.3"X1.9"	32PCS
H	CAP		32PCS
I	SPONGE FOOT	DIA1.5"	4PCS



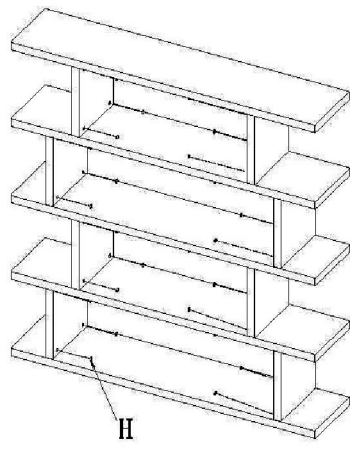
STEP1



STEP2



STEP3



STEP4

