

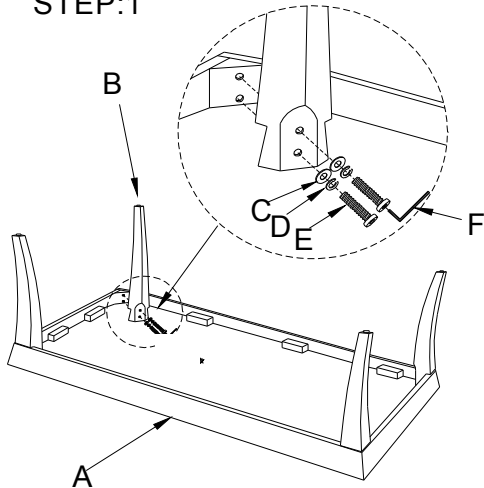
ASSEMBLY INSTRUCTIONS

MODEL: #8430(05/2014) (V#47zm1)

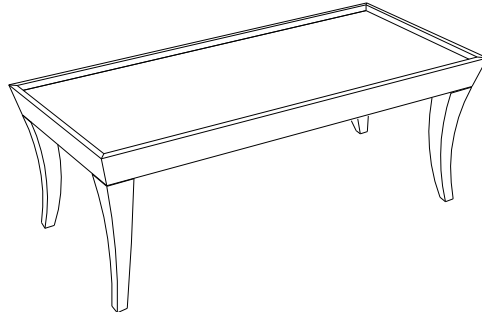
**NOTE: THIS ITEM NOT RECOMMENDED FOR COMMERCIAL USE
KEEP THIS DOCUMENT FOR REFERENCE IN CASE PARTS ARE NEEDED
DO NOT TIGHTEN SCREWS UNTIL COMPLETELY ASSEMBLED!!**

No	DESCRIPTION	Q'TY
A	TOP CKTL TBL 48" x 24"	1PC
	END TBL 24" x 24"	2PCS
B	LEG CKTL TBL 18-1/2" H	4PCS
	END TBL 24-1/2" H	8PCS
C	FLAT WASHER 5/16" x 19MM	24PCS
D	LOCK WASHER 5/16"	24PCS
E	BOLT 5/16" x 2-1/2"	24PCS
F	ALLEN KEY 5MM	1PC

STEP:1



STEP:2



STEP:3

