

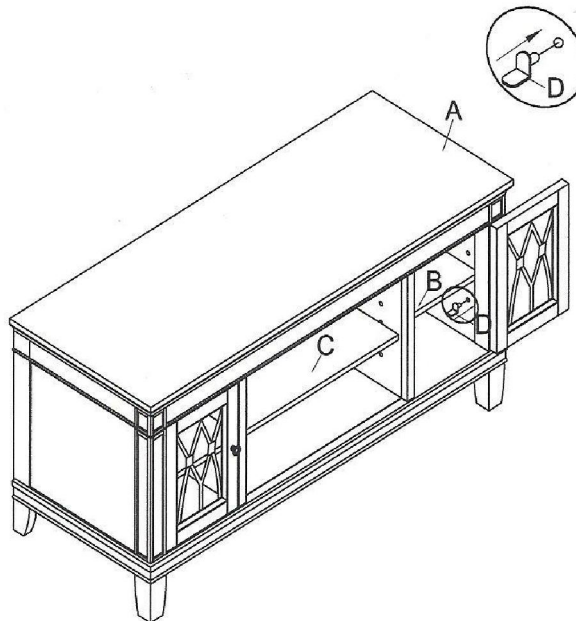
# ASSEMBLY INSTRUCTIONS

**MODEL: # 7749 (12/2007) (V#47ZX1)**

NOTE: THIS ITEM NOT RECOMMENDED FOR COMMERCIAL USE  
KEEP THIS DOCUMENT FOR REFERENCE IN CASE PARTS ARE NEEDED  
DO NOT TIGHTEN SCREWS UNTIL COMPLETELY ASSEMBLED!!

No	DESCRIPTION	Q'TY
A	TV CONSOLE 50"X19-1/2"X23-1/2"	1PC
B	HUTCH SIDE WOODEN SHELF 11-5/8"X15-3/8"X5/8"	2PCS
C	HUTCH MIDDLE WOODEN SHELF 21-1/4"X17"X5/8"	1PC
D	SHELF CLIP	12PCS

STEP:1



STEP:2

