

Fisher-Price®



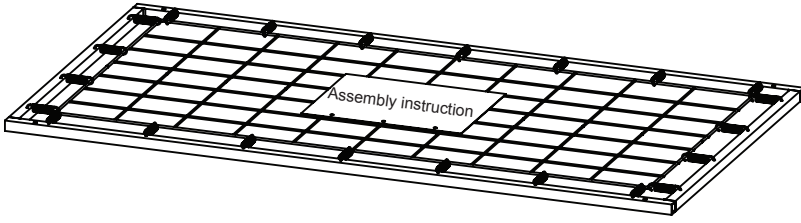
IMPORTANT! Please keep these instructions for future reference. Please read these instructions before assembly and use of this product.

- Adult assembly is required.
- Allen wrench (included) required for assembly.
- Product features and decorations may vary from illustrations.
- Do not use power drills or drivers.

fisher-price.com

Bulletin no.: 126201-00

Part Lists



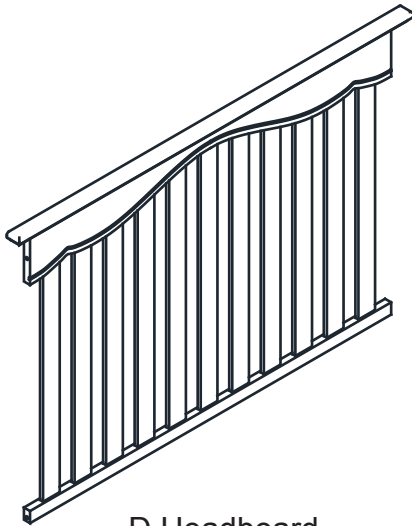
A. Mattress support



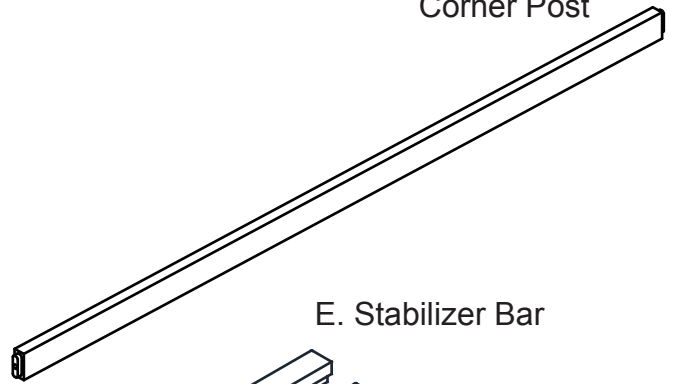
B. Left
Corner Post



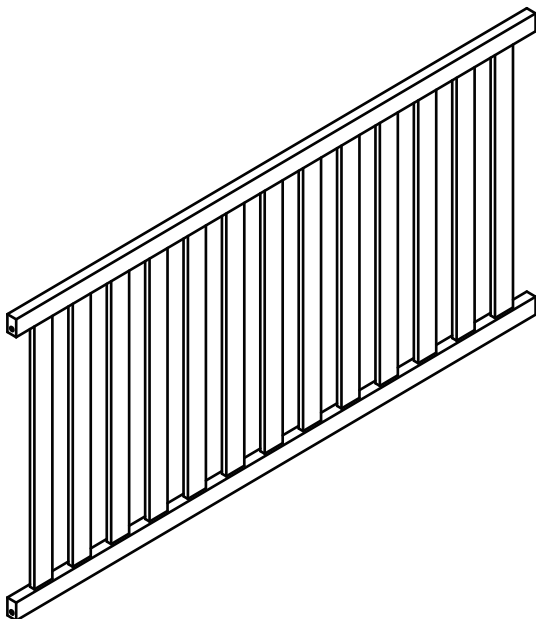
C. Right
Corner Post



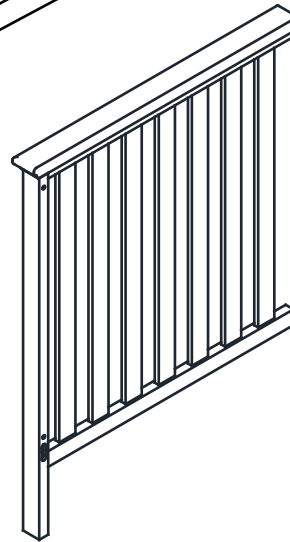
D. Headboard



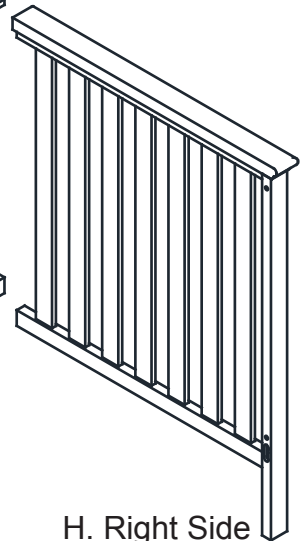
E. Stabilizer Bar



F. Footboard



G. Left Side

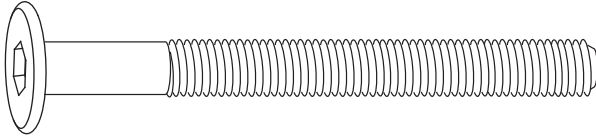


H. Right Side

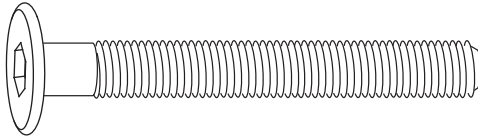
Part Lists

HARDWARE AND TOOL DIAGRAM

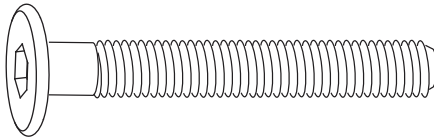
Ⓢ 3" Allen head Bolt X 6



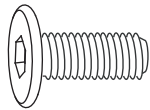
Ⓝ 2-3/8" Allen head Bolt X 4



Ⓚ 2-1/8" Allen head Bolt X 4



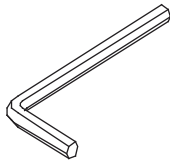
Ⓛ 5/8" Allen head Bolt X 4



Ⓜ Barrel Nuts X 10



Ⓝ Allen Wrench X 1



Ⓞ Metal Dowel X 4



Furniture Care Instructions

Room Climate Control

Wood, when first cut contains more than 50 percent water. When it is prepared for furniture construction it is placed in a Kiln and the moisture content is brought down to 8 to 10 percent. Wood is porous and responds to its environment. If the room has high humidity it will absorb it and expand and if the humidity is low it will lose moisture and shrink.

It is important that the humidity levels in the room be controlled from extremes of too much humidity or too little. Furniture should not be placed close to air-conditioning outlets, fire places, radiators, space heaters, humidifiers or dehumidifiers. Exposure to extreme variations of temperature and humidity can damage any fine wood product.

The Ideal Environment for Fine Furniture

Fine wood furniture will have fewer problems when its environment is controlled at a temperature between 65 and 75 degrees and a relative humidity between 35 and 40 percent. Wood placed in an environment outside of those limits can and will shrink or expand and may develop some small cracks which are not material or structural defects.

Sticking Doors and Drawers

With the minor changes in temperature and humidity doors and drawers may swell and be difficult to open or close. Tolerances have been built into the units but extreme conditions may still cause sticking. This will adjust back to normal over time but until it does consider using a dehumidifier or rub candle wax or paraffin on the sides that stick.

Avoid Direct Sunlight

Keep the furniture out of direct sunlight. Ultraviolet rays will fade colors and in some cases darken them. It can also cause crazing or hair line cracks in the finish. White finishes will yellow naturally over time and exposure to direct sunlight will hasten this natural process along with some woods darkening naturally over time; this is not considered to be a quality defect.

Proper Storage

If you need to put your furniture in storage for any period of time do not store them in a damp basement or hot dry attic. Allow air movement around the furniture and do not stack anything on it.

In General

- Protect furniture surface from hot or extremely cold items.
- Use coasters under hot or cold beverages
- Do not use synthetic fabric under accessories or lamps
- Protect tops from pens, markers and crayons
- Oils from potpourri and other scented items can damage the furniture finish.
- Do not drag items across the surface of the furniture.
- Allow the surface to breath by rotating your accessories and lamps.
- Do not over polish the furniture, do it only two or three times a year. Over polishing can distort the natural finish of the product.
- Do not wax the furniture as wax build up can destroy the natural finish of the product.
- When moving furniture always lift the unit. Do not push or drag it to avoid damage to legs
- Keep the furniture level so doors and drawers open and close freely.
- Clean with a damp, not wet, cloth. Use only a mild soap. Do not use abrasive cleaners.

STOP

**IF YOU EXPERIENCE ANY
ISSUES WITH THIS PRODUCT**

**BEFORE YOU
RETURN THIS TO
THE RETAILER**

**PLEASE FOLLOW
PROCEDURES ON THE
BACK PAGE**

WARNING!

- FAILURE TO FOLLOW THESE WARNINGS AND ASSEMBLY INSTRUCTIONS COULD RESULT IN SERIOUS INJURY OR DEATH.
- TO REDUCE THE RISK OF SIDS, PEDIATRICIANS RECOMMEND HEALTHY INFANTS BE PLACED ON THEIR BACKS TO SLEEP, UNLESS OTHERWISE ADVISED BY YOUR PHYSICIAN.
- CHECK THIS PRODUCT FOR DAMAGED HARDWARE, LOOSE JOINTS, MISSING PARTS OR SHARP EDGES BEFORE AND AFTER ASSEMBLY AND FREQUENTLY DURING USE.
- **DO NOT** USE THIS CRIB IF ANY PARTS ARE MISSING, DAMAGED OR BROKEN. CONTACT BIVONA & COMPANY 1460 ROUTE 9 NORTH SUITE 304 WOODBRIDGE, NJ 07095 FOR REPLACEMENT PARTS AND INSTRUCTIONAL LITERATURE IF NEEDED.
DO NOT SUBSTITUTE PARTS.
- **DO NOT** USE A WATER MATTRESS WITH THIS CRIB.
- READ ALL INSTRUCTIONS BEFORE ASSEMBLING CRIB. **KEEP INSTRUCTIONS FOR FUTURE USE.**
- IF REFINISHING, USE A NON-TOXIC FINISH SPECIFIED FOR CHILDREN'S PRODUCTS.

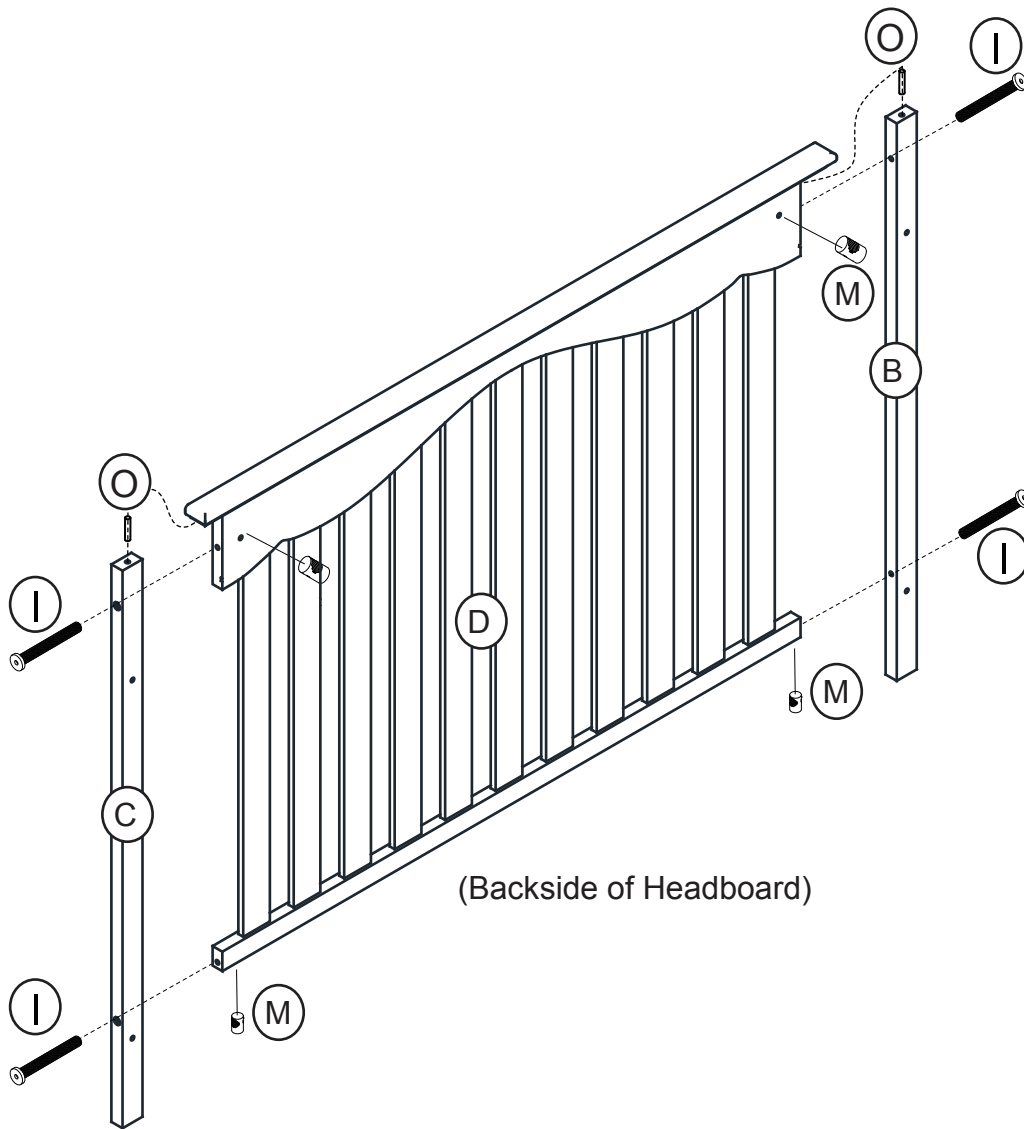
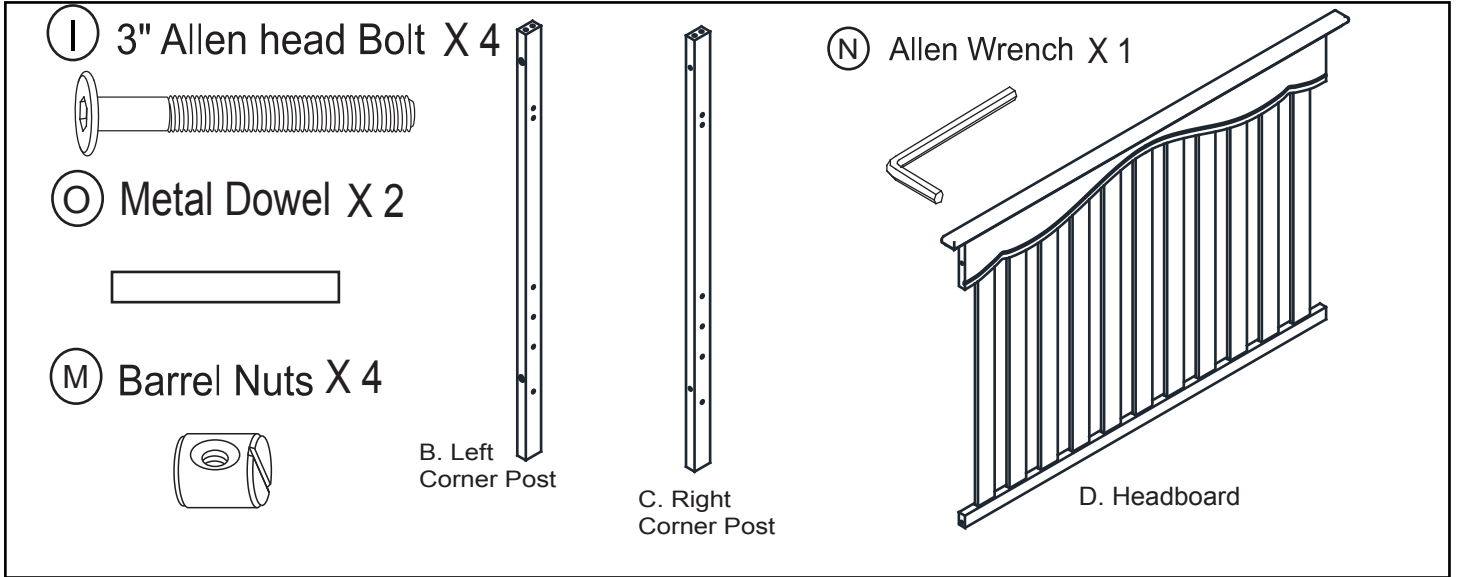
STRANGULATION HAZARD:

- STRINGS CAUSE STRANGULATION! DO NOT PLACE ITEMS WITH A STRING AROUND A CHILD'S NECK, SUCH AS HOOD STRINGS OR PACIFIER CORDS. **DO NOT** SUSPEND STRINGS OVER A CRIB OR ATTACH STRINGS TO TOYS.
- TO HELP PREVENT STRANGULATION TIGHTEN ALL FASTENERS. A CHILD CAN TRAP PARTS OF BODY OR CLOTHING ON LOOSE FASTENERS.
- **DO NOT** PLACE CRIB NEAR WINDOW WHERE CORDS FROM BLINDS OR DRAPES MAY STRANGLE A CHILD.
- INFANTS CAN SUFFOCATE ON SOFT BEDDING.
- NEVER ADD A PILLOW, COMFORTER OR PADDING.
- NEVER PLACE ADDITIONAL PADDING UNDER INFANT.
- NEVER USE PLASTIC SHIPPING BAGS OR ANY PLASTIC FILM AS MATTRESS COVERS, BECAUSE THEY CAN CAUSE SUFFOCATION.
- INFANTS CAN SUFFOCATE IN GAPS BETWEEN CRIB SIDES AND A MATTRESS THAT IS TOO SMALL. **ANY MATTRESS USED IN THIS CRIB MUST BE AT LEAST 27-1/4 IN. (69 CM) BY 51-5/8 IN. (131 CM), WITH A THICKNESS NOT EXCEEDING 6 IN (15 CM) AND A MINIMUM THICKNESS OF 4 IN (10 CM).** THE DIMENSIONS OF THE MATTRESS SHALL BE TAKEN FROM SEAM TO SEAM OR EDGE TO EDGE WHERE APPROPRIATE.

FALL HAZARD:

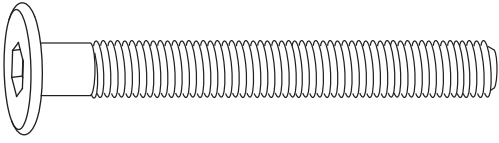
- WHEN CHILD IS ABLE TO PULL TO STANDING POSITION, SET MATTRESS TO LOWEST POSITION AND REMOVE BUMPER PADS, LARGE TOYS AND OTHER OBJECTS THAT COULD SERVE AS STEPS FOR CLIMBING OUT.
- STOP USING CRIB WHEN CHILD BEGINS TO CLIMB OUT OR REACHES THE HEIGHT OF 35 IN. (89 CM)
- WHEN STORING CRIB USE CAUTION AS EXTREME CHANGES IN TEMPERATURE OR HUMIDITY CAN COMPROMISE THE CRIB MAKING IT EXTREMELY DANGEROUS TO YOUR CHILD.
- USE CAUTION WHEN A VAPORIZER OR HUMIDIFIER IS IN USE. ALWAYS AIM VAPOR AWAY FROM THE CRIB AS WELL AS ANY OTHER WOODEN FURNITURE. PROLONGED PERIODS OF HUMIDITY IN STORAGE AS WELL AS THE HOME CAN COMPROMISE THE CRIB.
- AVOID USING VAPORIZERS AND HUMIDIFIERS FOR PROLONGED PERIODS OF TIME.
- FOLLOW WARNINGS ON ALL PRODUCTS IN CRIB.

Assembly step 1



Assembly step 2

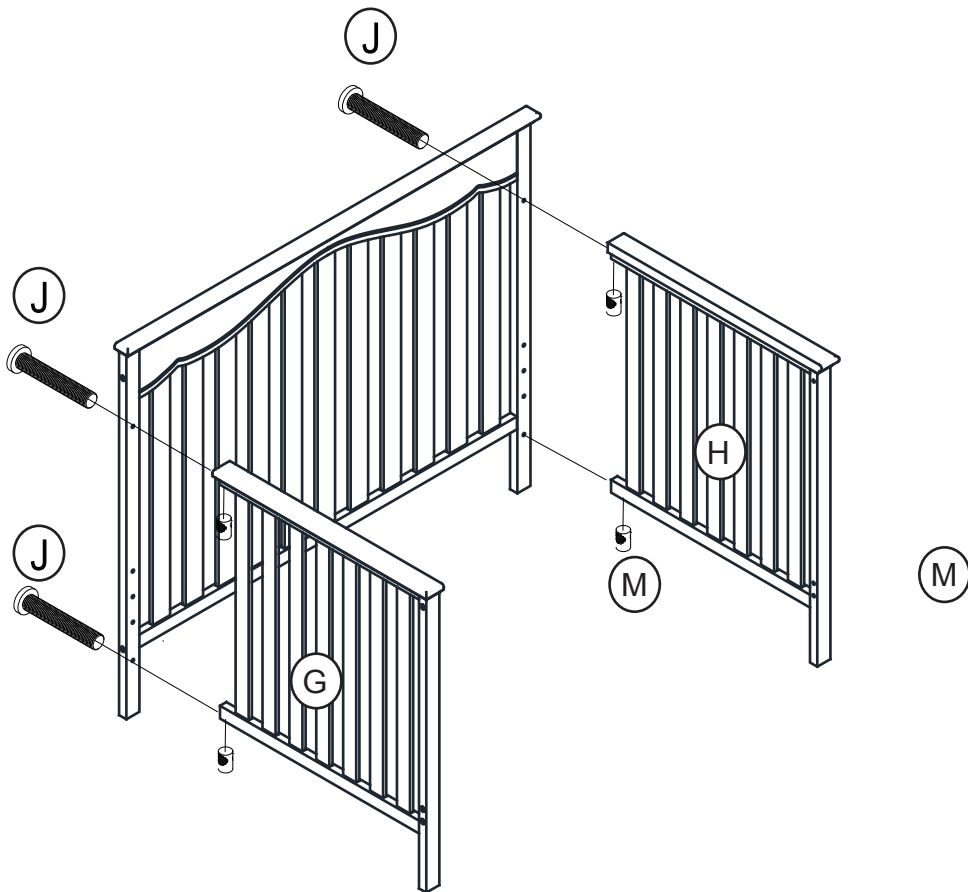
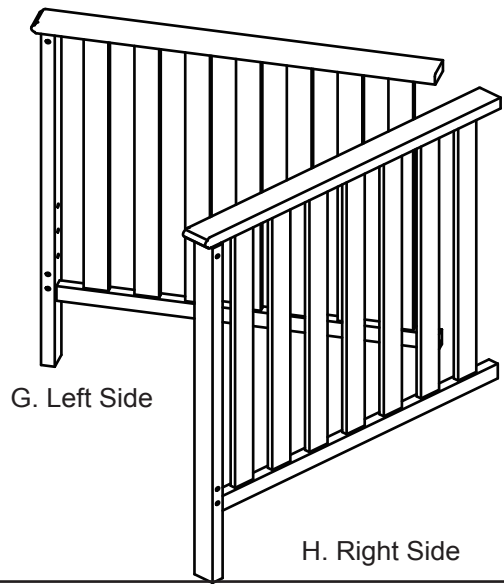
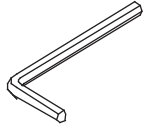
ⓐ 2-3/8" Allen head Bolt X 4



Ⓜ Barrel Nuts X 4

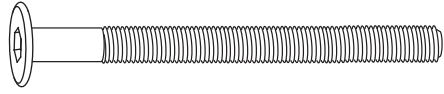


Ⓝ Allen Wrench X 1

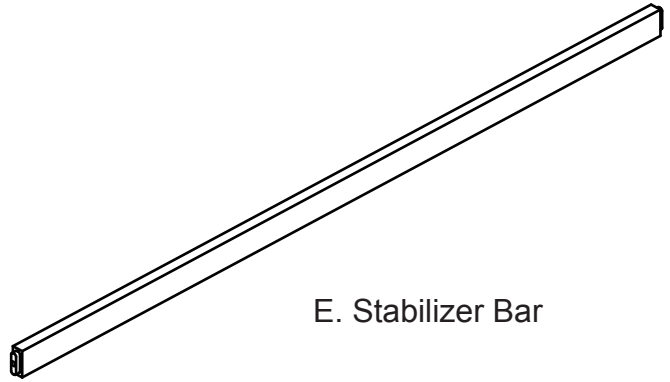
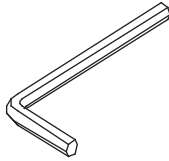


Assembly step 3

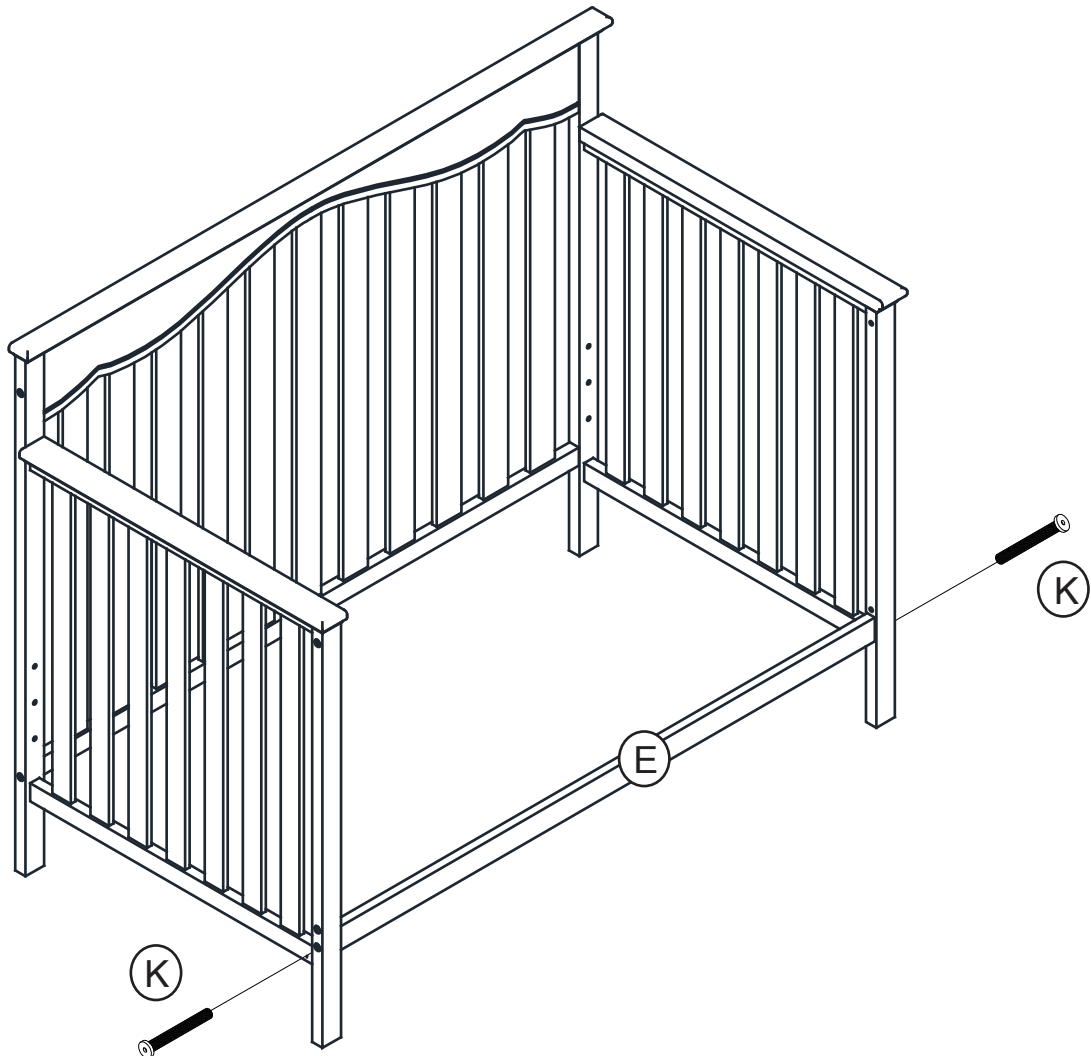
(K) 2-1/8" Allen head Bolt X 2



(N) Allen Wrench X 1

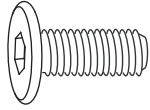


E. Stabilizer Bar

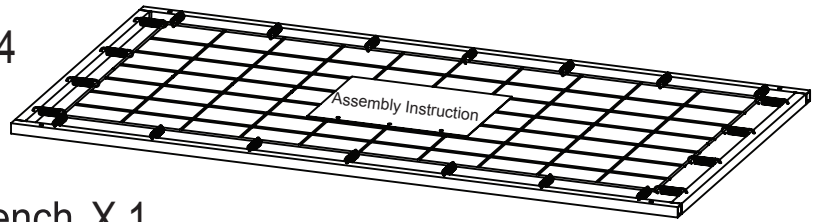
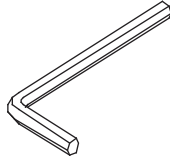


Assembly step 4

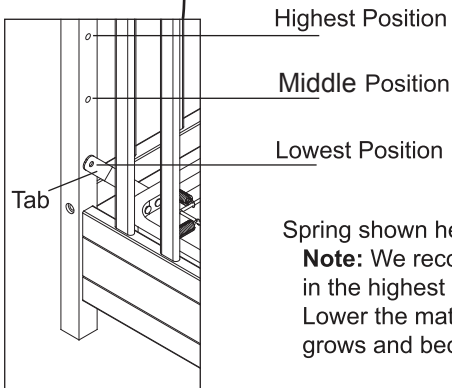
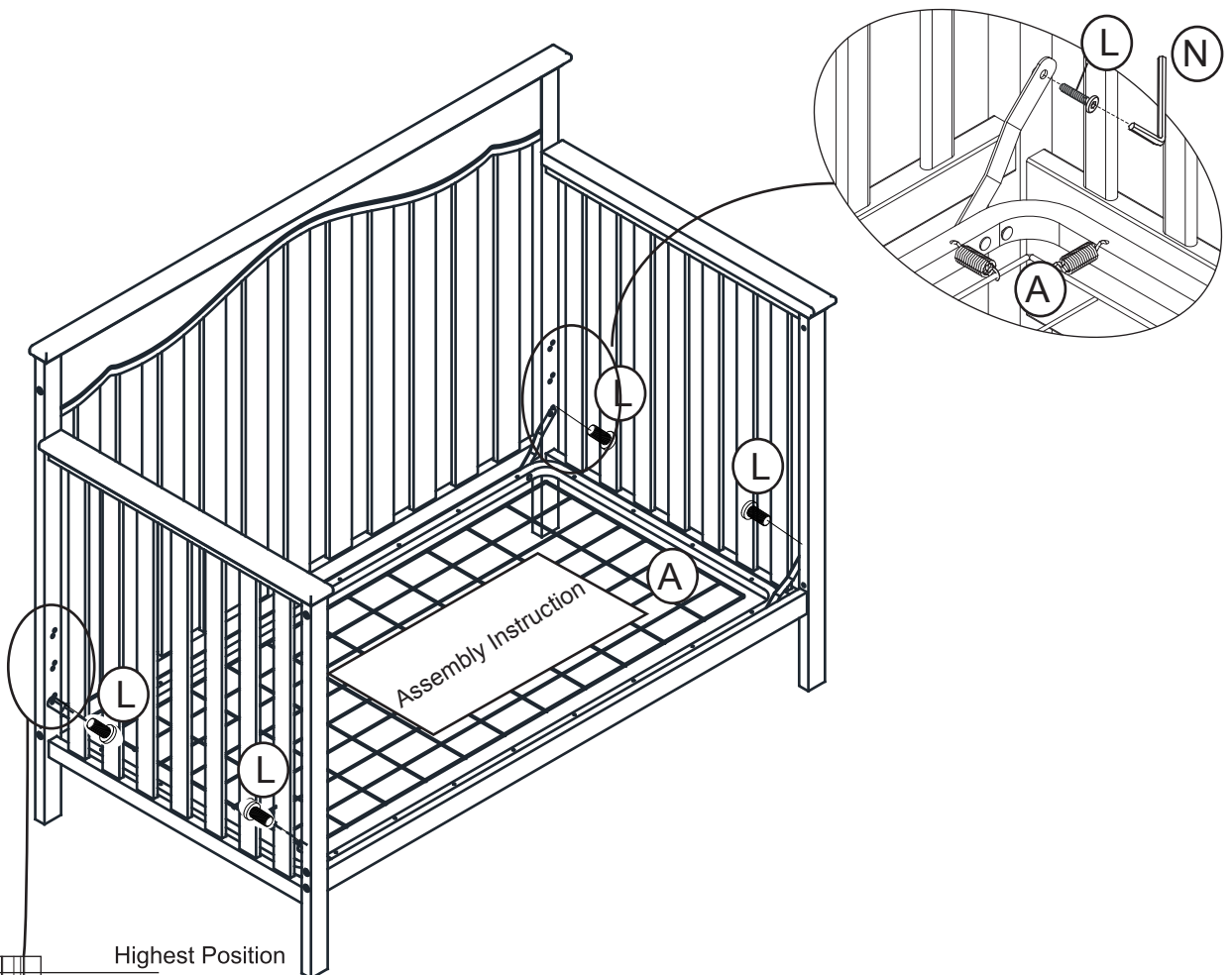
(L) 5/8" Allen head Bolt X 4



(N) Allen Wrench X 1



A. Mattress support

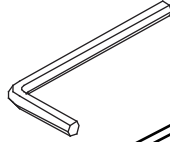
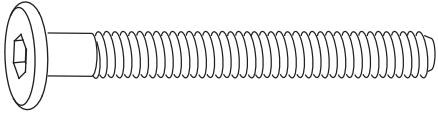


Spring shown here in lowest position.
Note: We recommend setting the spring in the highest position for newborn babies. Lower the mattress spring as the child grows and becomes more mobile.

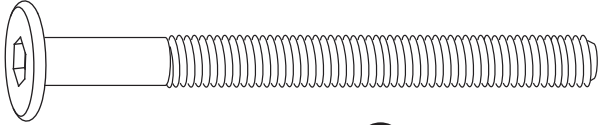
Assembly step 5

(K) 2-1/8" Allen head Bolt X 2

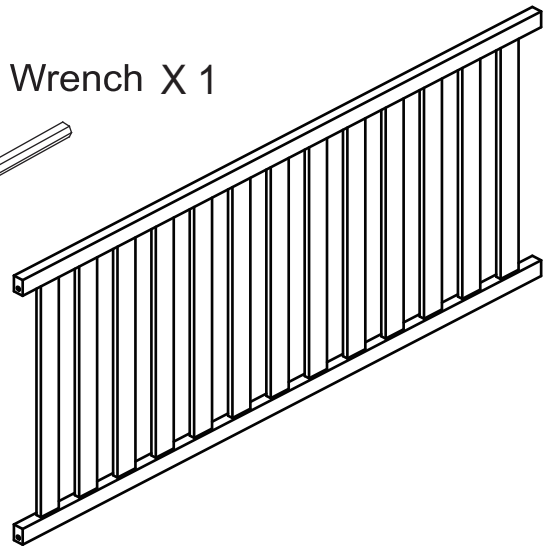
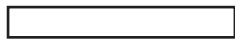
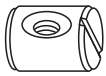
(N) Allen Wrench X 1



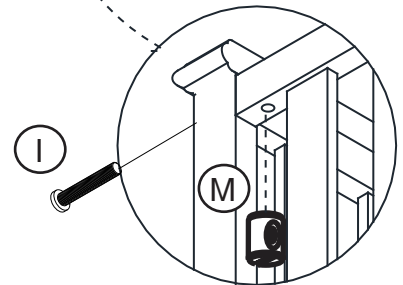
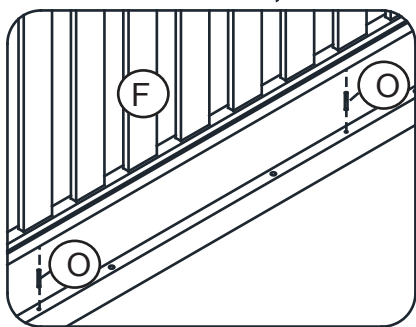
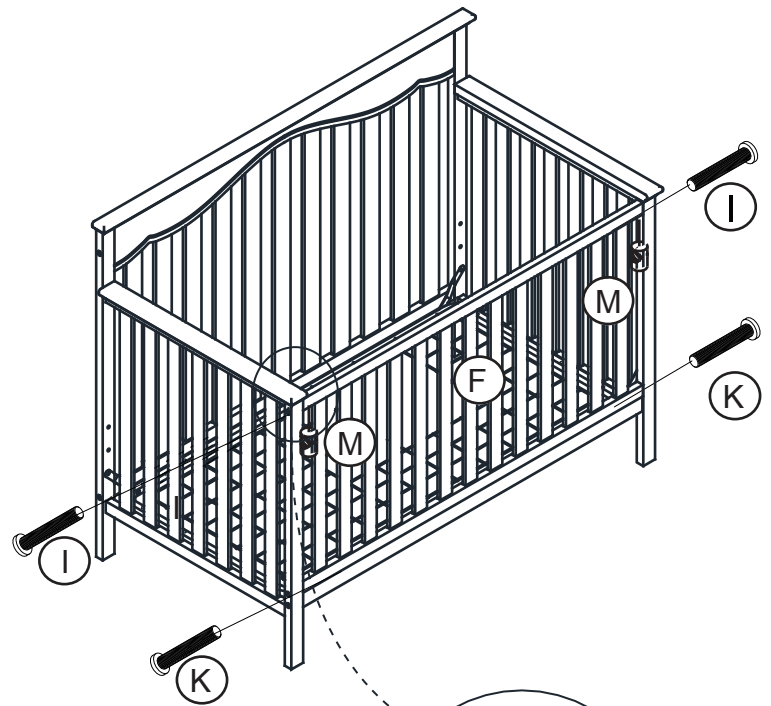
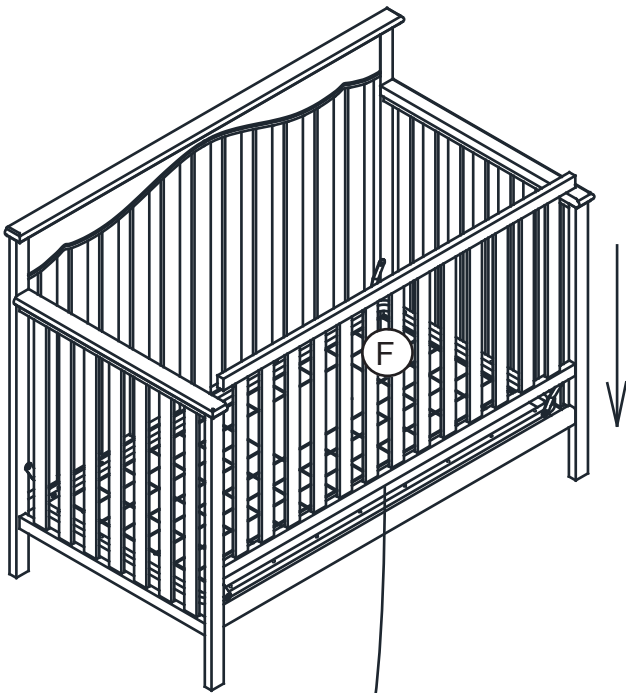
(I) 3" Allen head Bolt X 2



(M) Barrel Nuts X 2 (O) Metal Dowel X 2

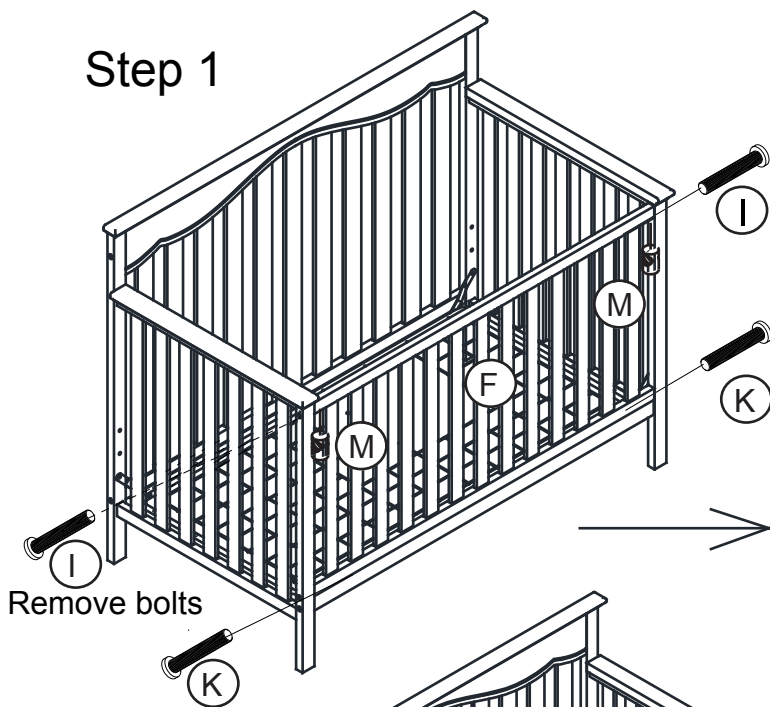


F. Front Rail



Converting Crib to a Toddler/Day Bed

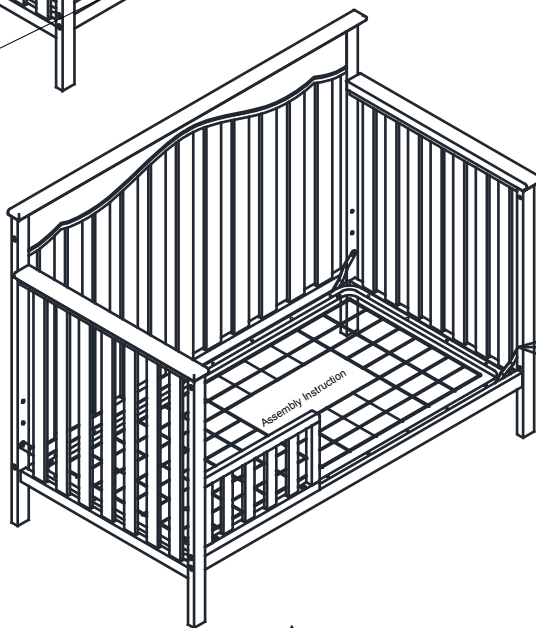
Step 1



Step 2



Step 3



A one piece Guard Rail (sold separately) can be attached to the crib as shown in the figure.

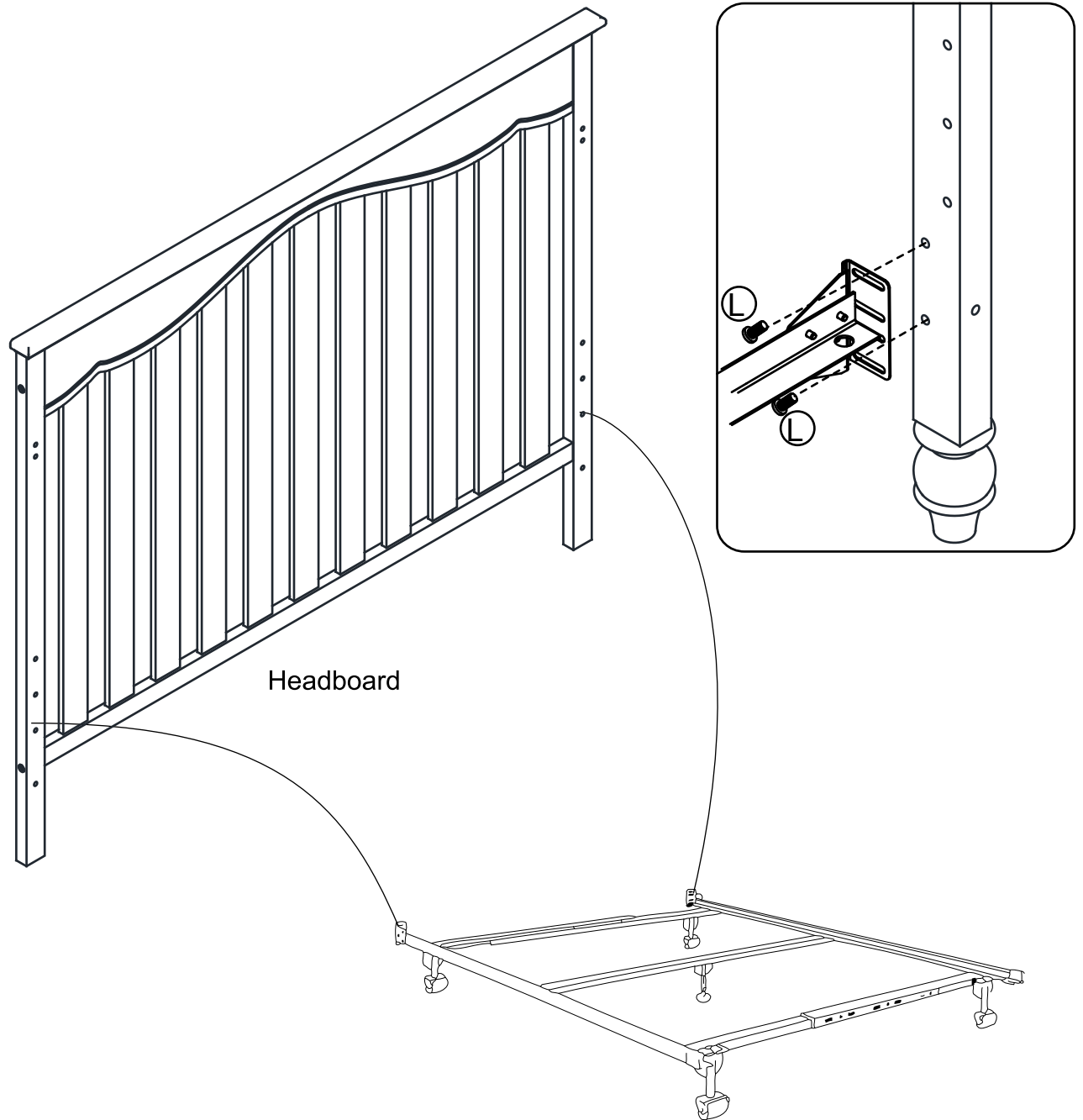
Model shown is example only.
Styles may vary.

⚠ WARNING!

FOR TODDLER BED USE

- When Converting Crib to Toddler or Day bed, make sure to safely store all hardware removed from Footboard. Also remove and safely store metal dowels from stabilizer bar.
- Failure to follow these warnings and assembly instructions could result in serious injury or death from entrapment or strangulation.
- DO NOT place bed near windows where cords from blinds or drapes may strangle a child.
- DO NOT place items with a string, cord, or ribbon around a child's neck, such as a hood, strings or pacifier cords.
- DO NOT suspend strings over a toddler bed for any reason.
- The mattress intended for use on the bed shall be a full-size crib mattress having the dimensions of 51 5/8 in. (1310mm) in length and 27 1/4 in. (690mm) in width with a thickness not exceeding 6 in. and the minimum mattress thickness of 4 in.
- The minimum age of the intended user shall not be less than 15 months and the maximum weight shall not be greater than 50 Lbs. (22.7Kg).

Converting Crib to a Full Size Bed



(Full size Bed Frame Sold Separately; Styles may vary)

Product Assistance Procedures

You have purchased a quality piece of furniture. Our international team has spent many hours designing and engineering this piece and packaging to ensure you will be satisfied with your purchase. But if for any reason you need help with your purchase please contact us at any time.

Procedures to follow should you have any questions:

Most inquiries can be answered by visiting our website **www.bivonaco.com**. There, you can order parts, find assembly instructions, and get answers to frequently asked questions on all of our brands.

You can also email us at info@bivonaco.com

In order for us to provide you with the best service possible, please include the following information in your email:

1. Your Name
2. Address
3. Phone Number
4. Item Number and description of your product
5. PO#
6. Production Date

All product information will be on the product label located on the back of all dressers and other furniture, and on either the inside bottom of the headboard, crib ends, or stabilizer bar of your crib, depending on which model you have.

Someone will contact you via e-mail or phone to help you with your issues.

If you do not have internet access, you can fax your information to 732-527-0664.

If you do not have internet or fax access, please call us at our toll free number 1-888-963-8125. Be sure to have all of the above information ready to give to your Customer Service Specialist.

FISHER-PRICE and associated trademarks are owned by and used under license from Mattel, Inc. ©2013 Mattel, Inc. All Rights Reserved.

Manufactured for and distributed by Bivona & Company
1460 Route 9 North, Suite 304, Woodbridge, NJ 07095

MADE IN CHINA