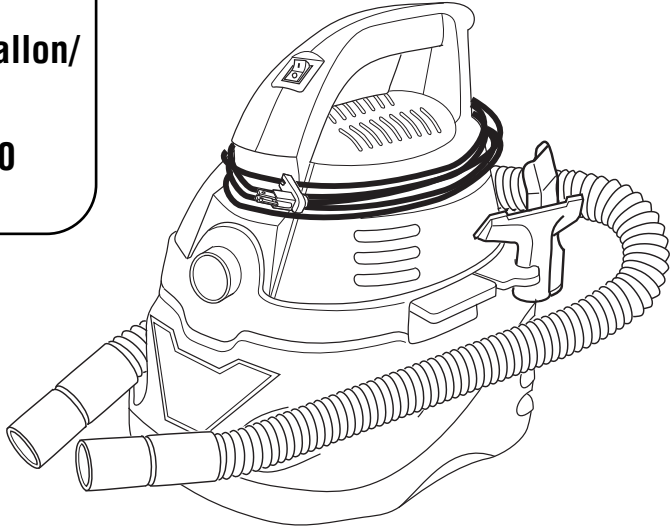


# WORKSHOP<sup>®</sup> MD

## WET/DRY VACS

### OWNER'S MANUAL

- Wet/Dry Vac
- 2.5 U.S. Gallon/  
9 Liter
- WS0250VA0



FOR QUESTIONS OR INFORMATION CONTACT US AT:  
**1-888-455-8724 from the US and Canada**  
[www.WORKSHOPvacs.com](http://www.WORKSHOPvacs.com)

**⚠ WARNING:**

To reduce the risk of injury, the user must read and understand the owner's manual before using this product.

- Español - página 15
- Français - page 29

**SAVE THIS MANUAL FOR FUTURE REFERENCE**



# TABLE OF CONTENTS

Section	Page	Section	Page
Important Safety Instructions . . . . .	2	Emptying the Drum . . . . .	9
Introduction . . . . .	4	Blowing Feature . . . . .	9
Unpacking and Checking		Maintenance . . . . .	10
Carton Contents . . . . .	4	Filter . . . . .	10
Getting to Know Your Vac . . . . .	5	Easy to Replace Filter . . . . .	10
Cord Storage . . . . .	5	Installation . . . . .	10
Accessory Storage . . . . .	5	Cleaning . . . . .	11
Hose Storage . . . . .	5	Storage . . . . .	11
Grounding Instructions . . . . .	6	Troubleshooting . . . . .	11
Operation . . . . .	7	Replacement Filter . . . . .	11
Vacuuming Dry Materials . . . . .	8	Warranty . . . . .	12
Vacuuming Liquids . . . . .	8		

## IMPORTANT SAFETY INSTRUCTIONS

Safety is a combination of common sense, staying alert, and knowing how your Wet/Dry vacuum cleaner (“Vac”) works.

### Safety Signal Words

**▲ DANGER:** Indicates an imminently hazardous situation which, if not avoided, will result in death or serious injury.

**▲ WARNING:** Indicates a potentially hazardous situation which, if not avoided, could result in death or serious injury.

**▲ CAUTION:** Indicates a potentially hazardous situation which, if not avoided, may result in minor or moderate injury, or property damage.

When using your Vac, always follow basic safety precautions including the following:

### ▲ WARNING

**- To reduce the risk of fire, electric shock, or injury:**

- Read and understand this manual and all labels on the Vac before operating.
- Use only as described in this manual.
- Do not leave Vac running while unattended - you may fail to notice important signs indicating abnormal operation such as loss of suction, debris/liquid exiting exhaust, or abnormal motor noises. Immediately stop using Vac if you notice these signs.
- Do not leave Vac when plugged in. Unplug from outlet when not in use and before servicing.

- Sparks inside the motor can ignite flammable vapors or dust. To reduce the risk of fire or explosion, do not vacuum or use near flammable or combustible liquids, gases, or dusts, such as gasoline or other fuels, lighter fluid, cleaners, oil-based paints, natural gas, coal dust, magnesium dust, grain dust, aluminum dust, or gun powder.
- Do not vacuum anything that is burning or smoking, such as cigarettes, matches, or hot ashes.
- Do not vacuum drywall dust, cold fireplace ash, or other fine dusts, which may pass through the filter bag and be exhausted back into the air.
- To reduce the risk of inhaling toxic vapors, do not vacuum or use near toxic or hazardous materials.
- To reduce the risk of electric shock, do not expose to rain or allow liquid to enter motor compartment. Store indoors.
- Do not allow to be used as a toy. Close attention is necessary when used by or near children.
- Do not use with a torn filter or without the filter installed except when vacuuming liquids as described in this manual. Dry debris ingested by the impeller may damage the motor or be exhausted back into the air.
- Turn off Vac before unplugging.



- To reduce the risk of injury from accidental starting, unplug power cord before changing or cleaning filter.
  - Do not unplug by pulling on cord. To unplug, grasp the plug, not the cord.
  - Do not use with damaged cord, plug or other parts. If your Vac is not working as it should, has missing parts, has been dropped, damaged, left outdoors, or dropped into water, call customer service.
  - Do not pull or carry by cord, use cord as handle, close a door on cord, or pull cord around sharp edges or corners. Do not run Vac over cord. Keep cord away from heated surfaces.
  - Do not handle plug, switch, or the Vac with wet hands.
  - Use only extension cords that are rated for outdoor use and have a grounding conductor. Extension cords in poor condition or too small in wire size can pose fire and shock hazards. To reduce the risk of these hazards, be sure the cord is in good condition and that the liquid does not contact the connection. Do not use an extension cord with conductors smaller than 16 gauge (AWG) in size. To reduce power loss, use a 14 gauge extension cord if 25 to 50 ft. long and 12 gauge for 50 ft. or longer.
  - Connect only to a properly-grounded outlet. See grounding instructions.
  - Do not put any object into ventilation openings. Do not vacuum with any ventilation openings blocked; keep free of dust, lint, hair or anything that may reduce air flow.
  - Keep hair, loose clothing, fingers, and all parts of body away from openings and moving parts.
  - To reduce the risk of falls, use extra care when cleaning on stairs.
  - To reduce the risk of personal injury or damage to Vac, use only WORKSHOP recommended accessories.
  - When using as a blower:
    - Direct air discharge only at work area.
    - Do not direct air at bystanders.
    - Keep children away when blowing.
    - Do not use blower for any job except blowing dirt and debris.
    - Do not use as a sprayer.
    - Wear safety eyewear.
  - To reduce the risk of eye injury, wear safety eyewear. The operation of any utility Vac or blower can result in foreign objects being blown into the eyes, which can result in severe eye damage.
- 
- ▲ CAUTION:**
- To reduce the risk of hearing damage, wear ear protectors when using for extended time or in a noisy area.
  - For dusty operations, wear dust mask.
  - Static shocks are common when the relative humidity of the air is low. Vacuuming fine debris with your Vac can deposit static charge on the hose or Vac. To reduce the frequency of static shocks in your home or when using this Vac, add moisture to the air with a humidifier.
- 
- Observe the following warning that appears on the motor housing of your Vac:

**▲ WARNING: To reduce the risk of electric shock - do not expose to rain - store indoors.**

**For your own safety, read and understand owner's manual. Do not run unattended. Do not pick up hot ashes, coals, toxic, flammable or other hazardous materials. Do not use around explosive liquids or vapors.**

**SAVE THIS MANUAL**

## INTRODUCTION

This Vac is intended for household use. It may be used for light vacuuming of wet or dry debris and may also be used as a blower. The light weight design allows usage for most small household

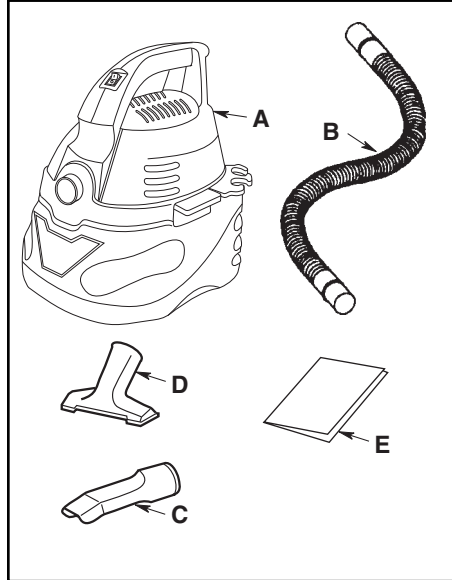
vacuuming chores. Familiarize yourself with the following product features and read the entire owner's manual for specific usage of your new Wet/Dry Vac.

## UNPACKING & CHECKING CARTON CONTENTS

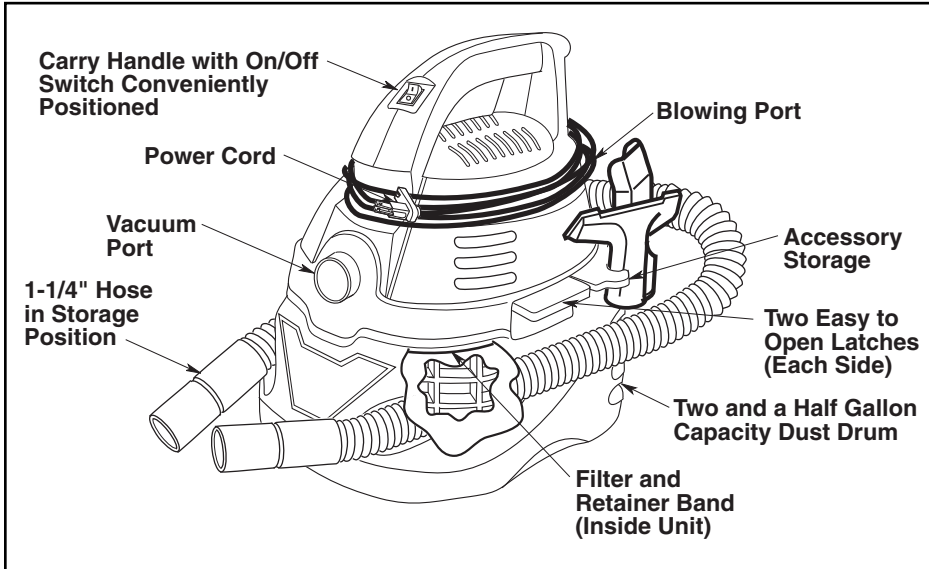
Remove contents of carton. Check each item against the Carton Contents List. Call 1-888-455-8724 or E-mail us at [info@WORKSHOPvac.com](mailto:info@WORKSHOPvac.com) if any parts are damaged or missing.

### Carton Contents List

Key	Description	Qty
A	Vac .....	1
B	Hose .....	1
C	Car Nozzle.....	1
D	Utility Nozzle .....	1
E	Owner's Manual.....	1

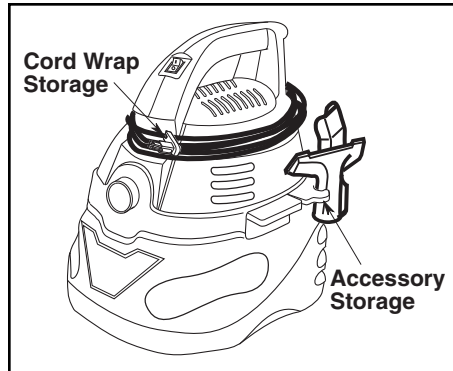


# GETTING TO KNOW YOUR VAC



## Cord Storage

1. Your Wet/Dry Vac has a convenient area to store your power cord while not in use.
2. Coil the power cord around the handle in the recesses provided in the power head assembly.

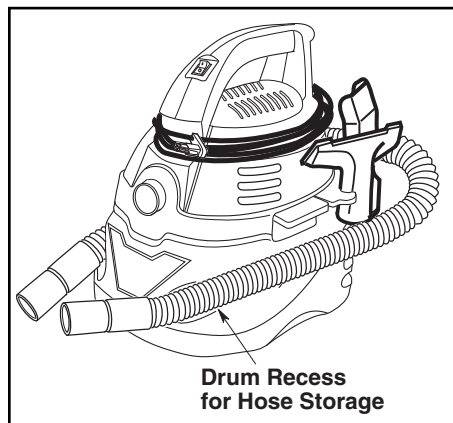


## Accessory Storage

Accessory storage is provided on the rear of the unit. Clip the accessory into the bracket from the side as shown.

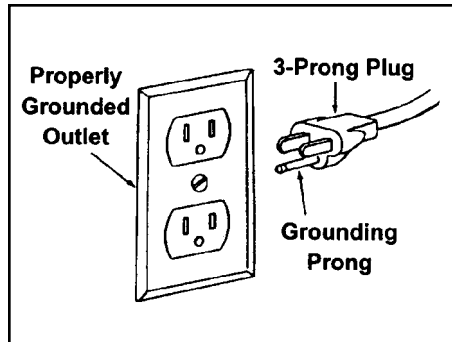
## Hose Storage

Drum has recesses on each side for hose storage.



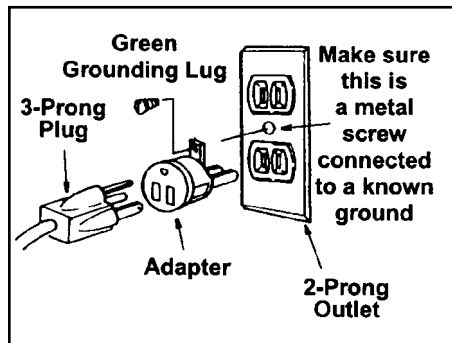
## GROUNDING INSTRUCTIONS

This appliance must be grounded. If it should malfunction or break down, grounding provides a path of least resistance for electric current to reduce the risk of electric shock. This appliance is equipped with a cord having an equipment-grounding conductor and grounding plug. The plug must be inserted into an appropriate outlet that is properly installed and grounded in accordance with all local codes and ordinances.



### **⚠ WARNING:**

Improper connection of the equipment grounding conductor can result in a risk of electric shock. Check with a qualified electrician or service person if you are in doubt as to whether the outlet is properly grounded. Do not modify the plug provided with the appliance - if it will not fit the outlet, have a proper outlet installed by a qualified electrician.



This appliance is for use on a nominal 120 volt circuit, and has a grounded plug that looks like the plug shown. A temporary adaptor that looks like the adaptor shown may be used to connect this plug to a 2-pole receptacle, as shown. If a properly grounded outlet is not available, the temporary adaptor should be used only until a properly grounded outlet can be installed by a qualified electrician. The green colored rigid ear, lug or the like extending from the adaptor must be connected to a permanent ground such as a properly grounded outlet box cover. Whenever the adaptor is used, it must be held in place by a metal screw.

**NOTE:** In Canada, the use of a temporary adaptor is not permitted by the Canadian Electrical Code.

## OPERATION

**▲ WARNING:** To reduce the risk of fire, explosion, or damage to Vac:

- Do not leave Vac running while unattended - you may fail to notice important signs indicating abnormal operation such as loss of suction, debris/liquid exiting the exhaust, or abnormal motor noises. Immediately stop using Vac if you notice these signs.
- Do not leave Vac plugged in when not in use.
- Do not continue running when float has cut off suction.
- Sparks inside the motor can ignite airborne flammables. Do not operate Vac near flammable liquids or in areas with flammable gases, vapors, or explosive/airborne dust. Flammable liquids, gases, and vapors include: lighter fluid, solvent-type cleaners, oil-based paints, gasoline, alcohol, and aerosol sprays. Explosive dusts include: coal, magnesium, aluminum, grain, and gun powder.
- Do not vacuum up explosive dusts, flammable liquids, or hot ashes.

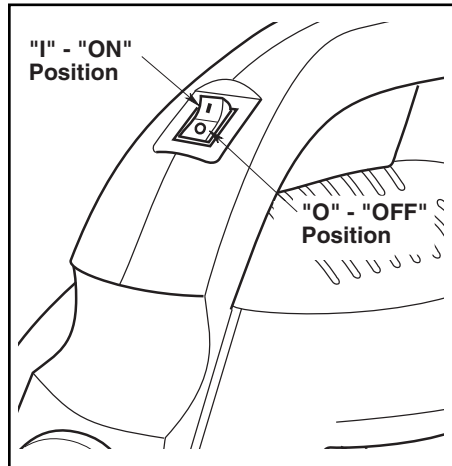
**▲ WARNING:** To reduce the risk of electric shock or injury:

- Do not expose to rain or allow liquid to enter motor compartment. Store indoors.
- Do not handle plug, switch, or Vac with wet hands.
- Unplug Vac before servicing. If your Vac is not working as it should, has missing parts, has been dropped, damaged, left outdoors, or dropped into water, return it to an independent service center or call customer service.
- When using an extension cord, use only outdoor-rated cords that are in good condition. Do not allow the connection to come into contact with liquid.

Your two and a half-gallon Wet/Dry Vac is assembled at the factory and ready for use when you remove it from the carton. The unit is ready for dry vacuuming or blowing.

After you plug the power cord into the outlet, turn the unit on by pushing the switch from position "O" to position "I". The symbols used on the switch actuator are international "On & Off" symbols:

○ = OFF      | = ON

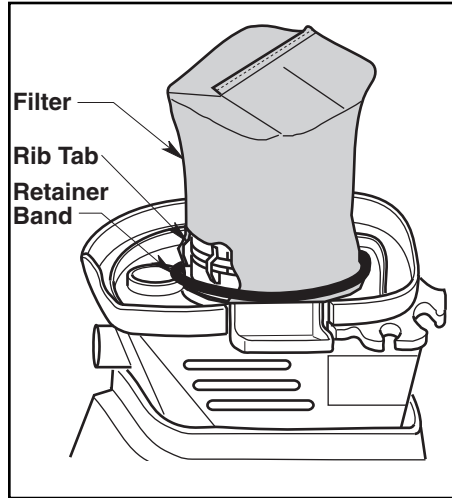


## OPERATION (continued)

### Vacuating Dry Materials

1. The filter must always be in correct position to reduce the risk of leaks and possible damage to Vac. Make sure that the filter is completely covering the filter cage and that the retainer band is as close to the lid as possible, located above the rib tabs on the filter cage. Make sure there are no gaps between the filter and the lid. (See illustration).

**It is very important to assemble the filter to the cage without allowing any possible leaks or tears. Any leaks will allow the picked up media to be blown out of the blower port and back into the surrounding environment.**

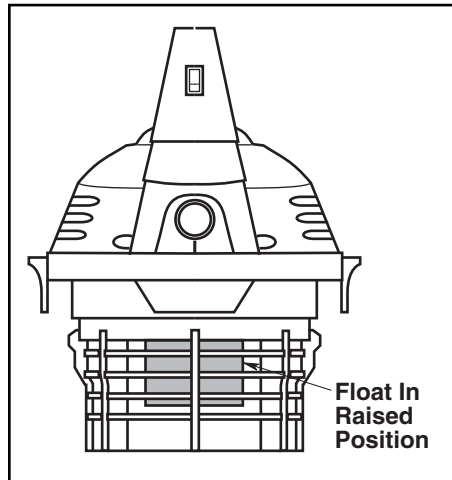


2. To maintain peak performance of your Vac when picking up small debris such as sawdust, it may be helpful to empty the dust drum and clean or replace the filter at more frequent intervals.

**NOTE:** The filter should be dry to pick up dry material. If you use your Vac to pick up dry debris when the filter is wet, the filter will clog quickly and be very difficult to clean. In case the filter gets wet, replace it before continuing dry pickup.

### Vacuating Liquids

1. Removal of the filter is recommended for wet pickups.
2. This Wet/Dry Vac is equipped with a float mechanism which will rise automatically to cut off the airflow when the liquid in the drum reaches a predetermined level. When this happens, turn off Vac, unplug the power cord, and empty the dust drum. You will know that the float has shut the airflow off because the suction ceases and the motor noise becomes higher in pitch, due to increased motor speed. The liquid capacity may vary with the rate of pickup.
3. Be sure to replace filter after wet pickup. Never pick up dry debris without the filter properly installed.



**⚠ WARNING: Never leave Vac running while unattended.**

**IMPORTANT:** To reduce the risk of damage to the Vac, do not run motor with float in raised position.

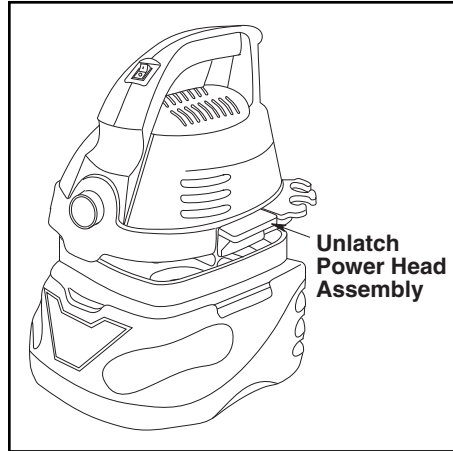


## OPERATION (continued)

### Emptying the Drum

**⚠ WARNING:** To reduce the risk of injury from accidental starting, unplug power cord before emptying the drum.

1. Place Vac squarely on a stable surface, such as ground, floor, bench, etc.
2. Remove the power head assembly of the Wet/Dry Vac by pulling outward on the latches located on each side of the Vac. Lift off the power head assembly.
3. Dump the drum contents into the proper waste disposal container.



### Blowing Feature

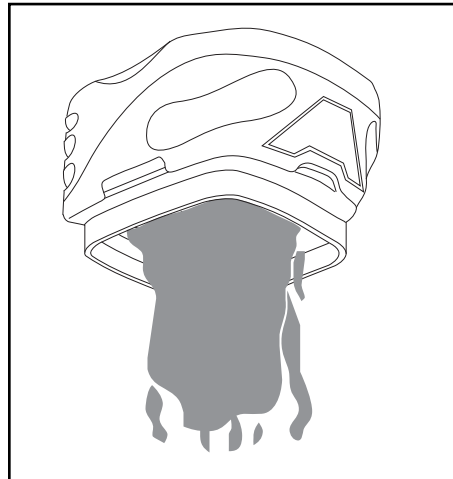
Your Vac contains a blowing feature. It has the capability to blow sawdust and other debris. It is excellent to use to blow dust and debris out of garages or off patios and driveways. Follow the steps below to use your Vac as a blower.

1. Locate blowing port of your Vac.
2. Insert one end of the 4 foot x 1-1/4 inch hose into the blowing port.
3. Turn Vac "ON" and you are ready to use your Vac as a blower.

**⚠ WARNING:** Always wear safety eyewear complying with ANSI Z87.1 (or in Canada, CSA Z94.3) before using as a Blower.

**⚠ WARNING:** To reduce the risk of injury to bystanders, keep them clear of blowing debris.

**⚠ CAUTION:** Wear a dust mask if blowing creates dust which might be inhaled.



**⚠ CAUTION:** To reduce the risk of hearing damage, wear ear protectors when using the Vac/Blower for extended hours or when using in a noisy area.

## MAINTENANCE

### Filter

Your filter should be cleaned often to maintain peak Vac performance.

**NOTE:** The filter is made of high quality material designed to stop small particles such as sawdust. Handle the filter carefully when removing to clean or installing a new filter. Do not tear the filter during removal or installation if your intent is to reuse the filter.

### Easy to Replace Filter

1. Remove the retainer band and the filter bag off the filter cage.
2. Place the replacement filter on the filter cage until open end touches bottom of lid.
3. Install the retainer band around the filter bag, locating it over the rib tabs on the filter cage.

**IMPORTANT:** To avoid damage to the blower wheel and motor, always reinstall the filter before using the Vac for dry material pick-up.

Take the dirty filter to a disposal container and gently brush away small dirt particles that may be adhering to the filter material.

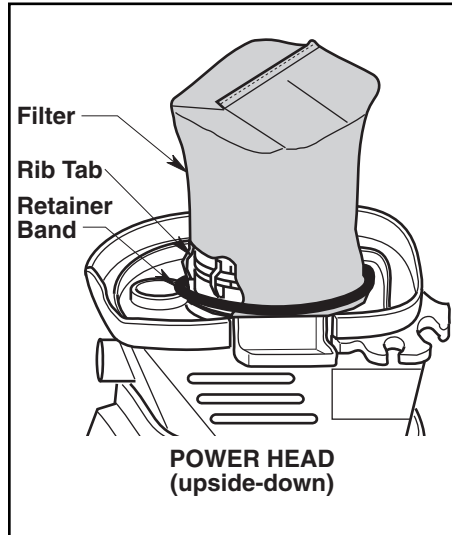
**IMPORTANT:** After cleaning, check the filter for tears or small holes. Do not use a filter with holes or tears in it. Even a small hole can allow a lot of dust to come out of your Vac. Replace it immediately.

### Installation

Before installing the filter on the Vac, clean the area of the lid so that the retainer band will seal the bag against the lid and stop small particles from bypassing the filter bag.

If the filter is clean and not damaged, replace it on the filter cage. If it cannot be reused, place a new filter over the filter cage.

Replace the retainer band around the



filter. Make sure the retainer band is positioned on the filter, and the filter completely covers the filter cage. Also, make sure the edges of the filter are completely secured under the retainer band.

**NOTE:** Clean the filter in an open area. Cleaning should be done outdoors and not in the living quarters.

**⚠ WARNING:** Do not remove the filter cage and float. The float prevents liquid from entering the impeller and damaging the motor. The cage prevents fingers from touching the moving impeller.

## MAINTENANCE (continued)

### Cleaning

To keep your Wet/Dry Vac looking its best, clean the outside with a cloth dampened with warm water and mild soap.

To clean the drum:

1. Dump debris out.
2. Wash drum thoroughly with warm water and mild soap.
3. Wipe out with dry cloth.

### Storage

Before storing your Vac, the dust drum should be emptied and cleaned. The cord should be wrapped around the unit and the hose should be stored as described in the cord/hose storage section in this manual. Accessories should be kept in the same area as the Vac so they can be readily available. The Vac should be stored indoors.

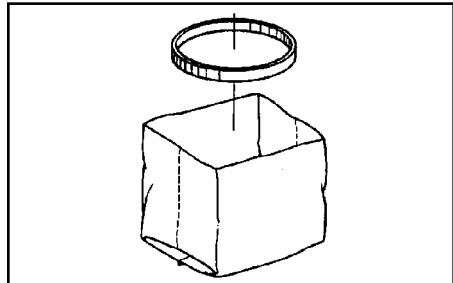
## TROUBLESHOOTING

Problem	Cause	Remedy
Vac will not pick up dirt	<ol style="list-style-type: none"> <li>1. Clogged filter</li> <li>2. Clogged hose</li> <li>3. Air leak</li> </ol>	<ol style="list-style-type: none"> <li>1. Clean or replace filter (follow instructions on page 10)</li> <li>2. Remove hose and clear debris.</li> <li>3. Make sure power head is securely attached to dust drum.</li> </ol>
Vac will not run	<ol style="list-style-type: none"> <li>1. No electricity</li> </ol>	<ol style="list-style-type: none"> <li>1. Make sure electrical outlet has voltage. (A qualified electrician may need to be contacted).</li> </ol>

**⚠ WARNING:** If any of the power head assembly parts should become detached or broken, exposing motor or any other electrical components, operation should be discontinued immediately to avoid personal injury or further damage to the Vacuum. This Vacuum has no user serviceable parts.

## REPLACEMENT FILTER

Replacement filters are available where you purchased your Vac and on [www.WORKSHOPvac.com](http://www.WORKSHOPvac.com). The part number is WS01025F.



## WORKSHOP® LIMITED WARRANTY

This limited warranty is offered by Emerson Tool Company, a division of Emerson Electric Co., located at the address below (“**ETC**” or “**we**” or “**our**” or “**us**”) and applies to our WORKSHOP-branded Wet/Dry Vacuums (collectively, the “**WORKSHOP® Product**”).

If you have any questions or need assistance regarding the warranty of your WORKSHOP Product, please contact ETC’s WORKSHOP Product Customer Service Department at the toll free number or at the address provided below.

### **WORKSHOP® Limited Warranty**

ETC, located at 8100 W Florissant Ave, St. Louis, MO 63136 provides the following limited warranty to the original purchaser only (“**you**” or “**your**”) subject to the exclusions described below: Your WORKSHOP Product will be free from defects in material and workmanship when used under normal conditions in accordance with the terms of the Owner’s Manual provided to you with the WORKSHOP Product for a period of three (3) years beginning on the original date of purchase (the “**Warranty Period**”). This limited warranty terminates if the original purchaser transfers the WORKSHOP Product to any other person or entity.

### **What is Not Covered - Warranty Exclusions**

This limited warranty does not extend to and expressly excludes:

- Normal wear and tear and/or replacement attachments or accessories, including, without limitation, power cords, hoses, filters, and other attachments or accessories that may be offered for sale by us for use with the WORKSHOP Product.
- Damage or burnout of the WORKSHOP Product motor resulting from failure to clear a blockage occurring during the normal course of use.
- Loss or damage to the WORKSHOP Product resulting from conditions beyond ETC’s control including without limitation, misuse, accident, abuse, neglect, negligence (other than ETC’s), overuse beyond intended capacity as set forth in the Owner’s Manual, or modifications or alterations made by anyone other than ETC.
- Loss or damage to the WORKSHOP Product resulting from failure to use the WORKSHOP Product in accordance with the written instructions, guidelines, and terms and conditions set forth in the Owner’s Manual.

### **Limited Warranty Notification and Claim Procedures**

If you discover within the Warranty Period applicable to you that your WORKSHOP Product has a defect that you believe is covered by this limited warranty, you must contact ETC’s WORKSHOP Product Customer Service Department at (888) 455-8724 between the hours of 8:30 a.m. and 4:30 p.m. Central Time. Alternatively, you may contact ETC’s WORKSHOP Product Customer Service Department at the email address listed in your Owner’s Manual or on the WORKSHOP Product page of the ETC website.

In order for your warranty claim to be processed as quickly as possible, we suggest that you complete the “Registration Card” made available to you on the WORKSHOP Product page of the ETC website at [www.WORKSHOPvac.com](http://www.WORKSHOPvac.com). If you do not choose to register your WORKSHOP Product, in order to make a warranty claim, you will need to provide us with a copy of your sales receipt or other proof of purchase showing the purchase date to confirm that your claim is within the Warranty Period and that you are the original purchaser.

# WORKSHOP® LIMITED WARRANTY

## What We Will Do to Correct Problems

After you have contacted ETC's WORKSHOP Product Customer Service Department pursuant to the above procedures, ETC will initiate warranty proceedings, including a physical inspection, subject to the exclusions and the Warranty Period stated herein, to determine whether to repair or replace the WORKSHOP Product or provide you with a refund.

The decision to repair or replace your WORKSHOP Product or to provide a refund is at our sole discretion. Repair or replacements provided to you by ETC are at no cost to you if covered under this limited warranty. Coverage under this limited warranty is conditioned at all times upon the original purchaser's compliance with the above limited warranty notification and claim procedures.

If your claim is covered under this limited warranty, we will, at our sole option, (a) repair or replace the defective portion of your WORKSHOP Product or (b) replace your entire WORKSHOP Product. If we are unable to provide you with a suitable repaired or replacement WORKSHOP Product, we will provide you with a refund equal to the purchase price of your WORKSHOP Product or a credit to be used toward the purchase of a new WORKSHOP Product.

## No Other Express Warranty Applies

THE LIMITED WARRANTIES PROVIDED ABOVE ARE THE SOLE AND EXCLUSIVE WARRANTIES PROVIDED BY ETC TO THE ORIGINAL PURCHASER OF THE WORKSHOP PRODUCT, AND ARE IN LIEU OF ALL OTHER WARRANTIES, WRITTEN OR ORAL, EXPRESS OR IMPLIED, WHETHER ARISING BY OPERATION OF LAW OR OTHERWISE, INCLUDING, WITHOUT LIMITATION, WARRANTIES OF MERCHANTABILITY OR FITNESS FOR A PARTICULAR PURPOSE, WHETHER OR NOT THE PURPOSE HAS BEEN DISCLOSED AND WHETHER OR NOT THE WORKSHOP PRODUCT HAS BEEN SPECIFICALLY DESIGNED OR MANUFACTURED FOR YOUR USE OR PURPOSE. DISCLAIMERS OF IMPLIED WARRANTIES, INCLUDING WITHOUT LIMITATION, IMPLIED WARRANTIES OF MERCHANTABILITY AND FITNESS FOR A PARTICULAR PURPOSE, SHALL NOT TAKE EFFECT UNTIL THE END OF THE WARRANTY PERIOD. No employee, agent, dealer, or other person is authorized to alter this limited warranty or make any other warranty on behalf of ETC. The terms of this limited warranty shall not be modified by ETC, the original owner, or their respective successors or assigns.

## Limitation of Liability

TO THE EXTENT PERMITTED BY LAW, IN NO EVENT SHALL ETC BE LIABLE FOR ANY INCIDENTAL, SPECIAL, INDIRECT, OR CONSEQUENTIAL DAMAGES, INCLUDING ANY ECONOMIC LOSS, WHETHER RESULTING FROM NONPERFORMANCE, USE, MISUSE OR INABILITY TO USE THE WORKSHOP PRODUCT OR FOR THE NEGLIGENCE OF ETC. ETC SHALL NOT BE LIABLE FOR DAMAGES CAUSED BY DELAY IN PERFORMANCE AND IN NO EVENT, REGARDLESS OF THE FORM OF THE CLAIM OR CAUSE OF ACTION (WHETHER BASED IN CONTRACT, INFRINGEMENT, NEGLIGENCE, STRICT LIABILITY, OTHER TORT OR OTHERWISE), SHALL ETC'S LIABILITY TO YOU OR ANY INDIVIDUAL USING THE WORKSHOP PRODUCT EXCEED THE PRICE PAID BY THE ORIGINAL OWNER FOR THE WORKSHOP PRODUCT. The term "consequential damages" shall include, but not be limited to, loss of anticipated profits, business interruption, loss of use or revenue, cost of capital or loss or damage to property or equipment. Some states do not allow the exclusion or limitation of incidental or consequential damages, so the above limitation may not apply to you.

This limited warranty gives you specific legal rights, and you may also have other rights which vary from State to State.



**THIS PAGE INTENTIONALLY LEFT BLANK**

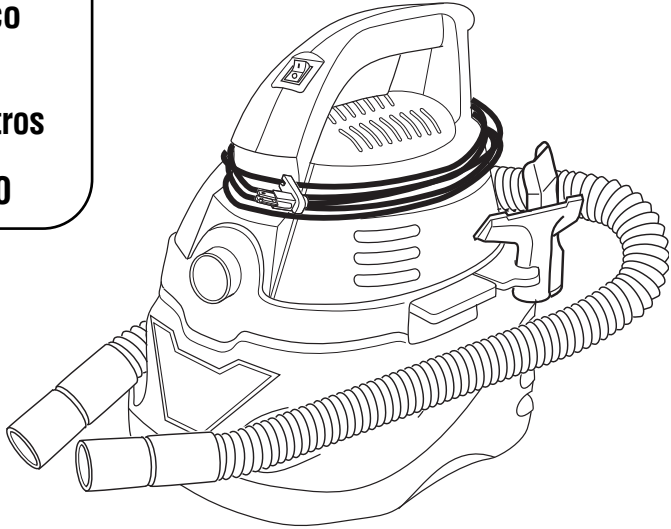


# WORKSHOP

WET/DRY VACS

## MANUAL DEL USUARIO

- Aspiradora para mojado/seco
- 2.5 galones EE.UU./9 litros
- WS0250VA0



¿PREGUNTAS O COMENTARIOS? COMUNÍQUESE CON NOSOTROS EN:  
**1-888-455-8724 desde los EE.UU. y Canadá**  
[www.WORKSHOPvacs.com](http://www.WORKSHOPvacs.com)



**ADVERTENCIA:**

Para reducir el riesgo de lesiones, el usuario debe leer y entender el manual del usuario antes de utilizar este producto.

- Français - page 29

**GUARDE ESTE MANUAL PARA REFERENCIA FUTURA**

# ÍNDICE

Sección	Página	Sección	Página
Instrucciones de seguridad importantes	16	Recogida de líquidos con la aspiradora	22
Introducción	18	Vaciado del tambor	23
Desempaquetado y comprobación del contenido de la caja de cartón	18	Dispositivo de soplado	23
Familiarización con la aspiradora	19	Mantenimiento	24
Almacenamiento del cordón	19	Filtro	24
Almacenamiento de accesorios	19	Filtro fácil de reemplazar	24
Almacenamiento de la manguera	19	Instalación	24
Instrucciones de conexión a tierra	20	Limpieza	25
Funcionamiento	21	Almacenamiento	25
Recogida de materiales secos con la aspiradora	22	Localización y resolución de problemas	25
		Filtro de repuesto	25
		Garantía	26

## INSTRUCCIONES DE SEGURIDAD IMPORTANTES

La seguridad es una combinación de sentido común, permanecer alerta y saber cómo funciona la aspiradora para mojado/seco (“la aspiradora”).

### Palabras de señal de seguridad

**▲ PELIGRO:** indica una situación peligrosa que, si no se evita, causará la muerte o lesiones graves.

**▲ ADVERTENCIA:** indica una situación peligrosa que, si no se evita, podría causar la muerte o lesiones graves.

**▲ PRECAUCIÓN:** indica una situación peligrosa que, si no se evita, pudiera causar lesiones leves o moderadas

Cuando utilice la aspiradora, siga siempre las precauciones básicas de seguridad, incluyendo las siguientes:

### ▲ ADVERTENCIA – Para reducir el riesgo de incendio, sacudidas eléctricas o lesiones:

- Lea y entienda este manual del usuario y todas las etiquetas que están colocadas en la aspiradora para mojado/seco antes de utilizarla.
- Utilice la aspiradora únicamente de la manera que se describe en este manual.
- No deje la aspiradora en marcha mientras esté desatendida. Usted podría no notar señales importantes que indiquen un funcionamiento anormal, tal como pérdida de succión, residuos o líquido que salen por el escape o ruidos anormales del motor. Deje de usar la aspiradora inmediatamente si observa estas señales.
- No abandone la aspiradora cuando esté enchufada. Desenchúfela del tomacorriente cuando no la esté utilizando y antes de realizar servicio de revisión.

- Las chispas que se producen en el interior del motor pueden incendiar los vapores inflamables o el polvo. Para reducir el riesgo de incendio o explosión: No use la aspiradora cerca de líquidos, gases, o polvos combustibles como gasolina u otros combustibles, líquido encendedor, limpiadores, pinturas a base de aceite, gas natural, hidrógeno, polvo de carbón, polvo de magnesio, polvo de aluminio, polvo de granos de cereal o pólvora.
- No recoja con la aspiradora nada que esté ardiendo o humeando, como cigarrillos, fósforos o cenizas calientes.
- No recoja con la aspiradora polvo de panel de yeso, cenizas de chimenea frías ni otros polvos finos, los cuales es posible que pasen a través de la bolsa del filtro y sean expulsados de vuelta al aire.
- Para reducir el riesgo de inhalar vapores tóxicos, no recoja con la aspiradora materiales tóxicos o peligrosos ni la use cerca de dichos materiales.
- Para reducir el riesgo de descargas eléctricas, no exponga la aspiradora a la lluvia ni deje que entren líquidos en el compartimiento del motor. Guarde la aspiradora en un lugar interior.
- No permita que la aspiradora se utilice como un juguete. Se necesita prestar máxima atención cuando sea utilizada por niños o cerca de éstos.
- No use la aspiradora con un filtro desgarrado o sin tener el filtro instalado, excepto cuando recoja con ella líquidos de la manera que se describe en este manual. Los residuos secos absorbidos por el impulsor podrían dañar el motor o ser expulsados de vuelta al aire.
- Apague la aspiradora antes de desenchufarla.



- Para reducir el riesgo de lesiones debidas a un arranque accidental, desenchufe el cordón de energía antes de cambiar o limpiar el filtro.
- No desenchufe la aspiradora tirando del cordón. Para desenchufarla, agarre el enchufe y no el cordón.
- No use la aspiradora con el cordón dañado, el enchufe dañado u otras piezas dañadas. Si la aspiradora no funciona como debe, le faltan piezas, se ha caído, ha sido dañada, se ha dejado a la intemperie o se ha caído al agua, llame a servicio al cliente.
- No tire de la aspiradora usando el cordón ni la lleve por el cordón, ni use el cordón como asa, ni cierre una puerta sobre el cordón, ni tire del cordón alrededor de bordes o esquinas afilados. No pase la aspiradora en marcha sobre el cordón. Mantenga el cordón alejado de las superficies calientes.
- No maneje el enchufe, el interruptor o la aspiradora con las manos mojadas.
- Utilice únicamente cordones de extensión que tengan capacidad nominal para uso a la intemperie. Los cordones de extensión que estén en malas condiciones o tengan un tamaño de alambre demasiado pequeño pueden crear peligros de incendio y descargas eléctricas. Para reducir el riesgo de estos peligros, asegúrese de que el cordón esté en buenas condiciones y que el líquido no entre en contacto con la conexión. No utilice un cordón de extensión que tenga conductores con un diámetro menor al calibre 16 (AWG). Para reducir la pérdida de potencia, utilice un cordón de extensión de calibre 14 si la longitud es de 25 a 50 pies, y de calibre 12 si la longitud es de 50 pies o más.
- Conecte la aspiradora solamente a un tomacorriente conectado a tierra apropiadamente. Consulte las instrucciones de conexión a tierra.
- No ponga ningún objeto en las aberturas de ventilación. No recoja nada con la aspiradora cuando cualquiera de las aberturas de ventilación esté bloqueada; mantenga dichas aberturas libres de polvo, pelusa, pelo o cualquier cosa que pueda reducir el flujo de aire.
- Mantenga el pelo, la ropa holgada, los dedos y todas las partes del cuerpo alejados de las aberturas y de las piezas móviles.
- Para reducir el riesgo de caídas, tenga cuidado adicional al limpiar en escaleras.
- Para reducir el riesgo de lesiones corporales o daños a la aspiradora, utilice únicamente accesorios recomendados por WORKSHOP.
- Cuando utilice la aspiradora como soplador :
  - Dirija la descarga de aire solamente hacia el área de trabajo.
  - No dirija el aire hacia las personas que estén presentes.
  - Mantenga alejados a los niños durante la operación de soplado.
  - No utilice el soplador para trabajos que no sean soplar suciedad y residuos.
  - No use la aspiradora como rociador.
  - Use protección ocular de seguridad.
- Para reducir el riesgo de lesiones en los ojos, use protección ocular de seguridad. La utilización de cualquier aspiradora utilitaria o soplador utilitario puede hacer que se soplen objetos extraños hacia los ojos, lo cual puede causar daños graves en los ojos.

#### **▲ PRECAUCIÓN:**

- Para reducir el riesgo de daños a la audición, use protectores de oídos cuando utilice la aspiradora durante muchas horas seguidas o cuando la emplee en un área ruidosa.
- Para operaciones que generan polvo, use una máscara antipolvo.
- Las descargas de estática son comunes cuando la humedad relativa del aire es baja. Si recoge residuos finos con la aspiradora, se puede depositar carga estática en la manguera o en la aspiradora. El mejor remedio para reducir la frecuencia de las descargas de estática en su casa o cuando use esta aspiradora es añadir humedad al aire con un humidificador.

Siga las siguientes advertencias que aparecen en la caja del motor de la aspiradora.

**▲ ADVERTENCIA: Para reducir el riesgo de sacudidas eléctricas, no exponga la aspiradora a la lluvia y almacénala en interiores.**

**Para su propia seguridad, lea y entienda el manual del operador. No tenga en marcha la aspiradora desatendida. No recoja cenizas calientes, carbón caliente, materiales tóxicos ni inflamables ni otros materiales peligrosos. No use la aspiradora alrededor de líquidos o vapores explosivos.**

## GUARDE ESTE MANUAL

## INTRODUCCIÓN

Esta aspiradora está diseñada para uso doméstico. Se puede utilizar para la recogida ligera de medios mojados o secos y también puede utilizarse como soplador. El diseño liviano permite la utilización para realizar la mayoría de las tareas domésticas de aspiración pequeñas.

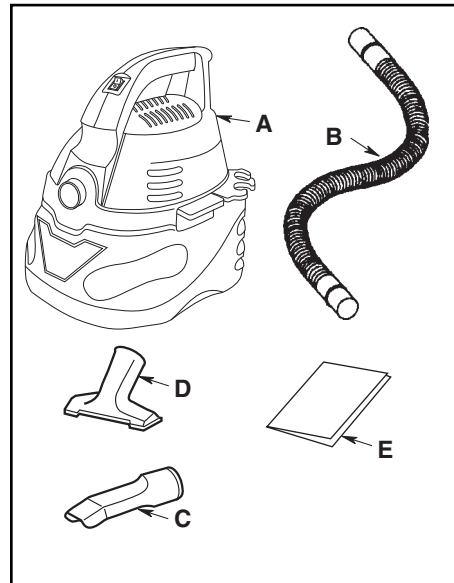
Familiarícese con las siguientes características del producto y lea todo el manual del usuario para obtener instrucciones sobre la utilización específica de su nueva aspiradora para mojado/seco.

## DESEMPAQUETADO Y COMPROBACIÓN DEL CONTENIDO DE LA CAJA DE CARTÓN

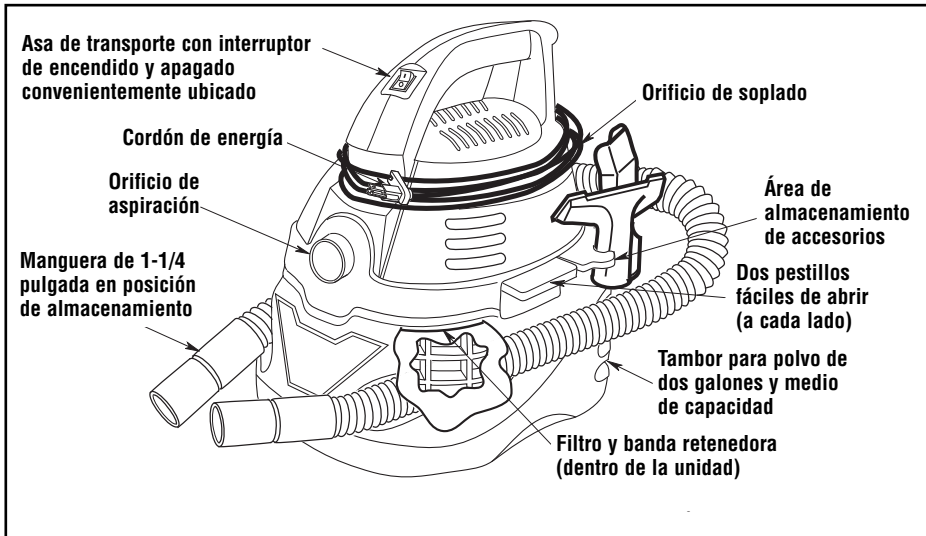
Saque todo el contenido de la caja de cartón. Asegúrese de que no falte ningún artículo utilizando la lista del contenido de la caja. Llame al 1-888-455-8724 o envíenos un correo electrónico a [info@WORKSHOPvacs.com](mailto:info@WORKSHOPvacs.com) si alguna pieza está dañada o falta.

### Lista del contenido de la caja de cartón

Clave	Descripción	Cant.
A	Aspiradora .....	1
B	Manguera .....	1
C	Boquilla para auto .....	1
D	Boquilla de uso general .....	1
E	Manual del usuario .....	1

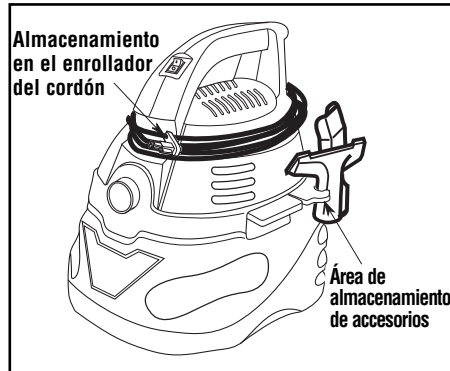


## FAMILIARIZACIÓN CON LA ASPIRADORA



### Almacenamiento del cordón

1. La aspiradora para mojado/seco tiene una práctica área para almacenar el cordón de energía cuando no se esté utilizando.
2. Enrolle el cordón de energía alrededor del asa en los entrantes provistos en el ensamblaje del cabezal del motor.



### Área de almacenamiento de accesorios

Se proporciona un área de almacenamiento de accesorios en la parte trasera de la unidad. Sujete el accesorio en el soporte desde el lado de la manera que se muestra en la ilustración.

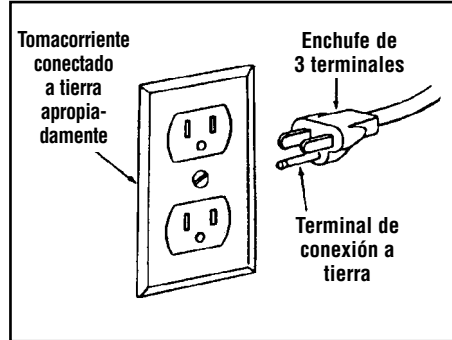
### Almacenamiento de la manguera

El tambor tiene entrantes a cada lado para almacenar la manguera.



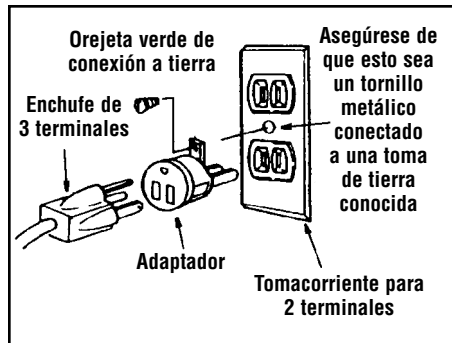
## INSTRUCCIONES DE CONEXIÓN A TIERRA

Este electrodoméstico se debe conectar a tierra. En caso de mal funcionamiento o avería, la conexión a tierra proporciona una ruta de resistencia mínima para la corriente eléctrica con el fin de reducir el riesgo de sacudidas eléctricas. Este electrodoméstico está equipado con un cordón que tiene un conductor de conexión a tierra del equipo y un enchufe de conexión a tierra. El enchufe debe introducirse en un tomacorriente apropiado que esté instalado correctamente y conectado a tierra adecuadamente, de acuerdo con todos los códigos y ordenanzas locales.



### ⚠ ADVERTENCIA:

La conexión incorrecta del conductor de conexión a tierra del equipo puede causar un riesgo de sacudidas eléctricas. Consulte a un electricista calificado o a una persona de servicio competente si tiene dudas sobre si el tomacorriente está conectado a tierra apropiadamente. No modifique el enchufe suministrado con el electrodoméstico. Si el enchufe no cabe en el tomacorriente, haga que un electricista calificado instale un tomacorriente apropiado.



Este electrodoméstico está diseñado para utilizarse en un circuito de 120 V nominales y tiene un enchufe conectado a tierra que tiene un aspecto como el del enchufe que se muestra en la ilustración. Se puede utilizar un adaptador temporal, que tenga un aspecto como el del adaptador que se muestra en la ilustración, para conectar este enchufe a un receptáculo de dos polos, de la manera que se muestra en la ilustración, si no se dispone de un tomacorriente conectado a tierra apropiadamente. El adaptador temporal debe utilizarse únicamente hasta que un electricista calificado pueda instalar un tomacorriente conectado a tierra apropiadamente. La orejeta, lengüeta o pieza similar rígida de color verde que sobresale del adaptador se debe conectar a una toma de tierra permanente, como por ejemplo una tapa de caja tomacorriente conectada a tierra apropiadamente. Siempre que se utilice el adaptador, se debe sujetar en la posición correcta con un tornillo metálico.

**NOTA:** En Canadá, el uso de un adaptador temporal no está permitido por el Código Eléctrico Canadiense.

## FUNCIONAMIENTO

**⚠ ADVERTENCIA:** Para reducir el riesgo de incendio, explosión o daños a la aspiradora:

- No deje la aspiradora en marcha mientras esté desatendida. Usted podría no notar señales importantes que indiquen un funcionamiento anormal, tal como pérdida de succión, residuos o líquido que salen por el escape o ruidos anormales del motor. Deje de usar la aspiradora inmediatamente si observa estas señales.
- No deje la aspiradora enchufada cuando no se esté utilizando.
- No continúe usando la aspiradora cuando el flotador haya cortado la succión.
- Las chispas generadas dentro del motor pueden incendiar los materiales inflamables suspendidos en el aire. No utilice la aspiradora cerca de líquidos inflamables ni en áreas con gases o vapores inflamables o polvo explosivo/suspendido en el aire. Los líquidos inflamables, gases inflamables y los vapores inflamables incluyen: líquido encendedor, limpiadores tipo solvente, pinturas a base de aceite, gasolina, alcohol y rociadores tipo aerosol. Los polvos explosivos incluyen: carbón, magnesio, aluminio, grano de cereal y pólvora.
- No recoja con la aspiradora polvos explosivos, líquidos inflamables ni cenizas calientes.

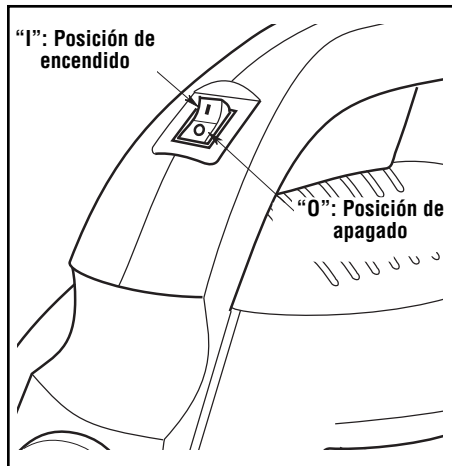
**⚠ ADVERTENCIA:** Para reducir el riesgo de descargas eléctricas o lesiones:

- No exponga la aspiradora a la lluvia ni deje que entre líquido en el compartimiento del motor. Almacene la aspiradora en un lugar interior.
- No maneje el enchufe, el interruptor o la aspiradora con las manos mojadas.
- Desenchufe la aspiradora antes de hacerle servicio de ajustes y reparaciones. Si la aspiradora no está funcionando como debería, le faltan piezas, se ha caído, está dañada, se ha dejado a la intemperie o se ha caído al agua, devuélvala a un centro de servicio independiente o llame a servicio al cliente.
- Cuando utilice un cordón de extensión, utilice únicamente cordones con capacidad nominal para uso a la intemperie que estén en buenas condiciones. No deje que la conexión entre en contacto con líquido.

La aspiradora para mojado/seco de dos galones y medio se ensambla en la fábrica y está lista para utilizarse cuando se saca de la caja de cartón. La unidad está lista para aspirar o soplar materiales secos.

Después de enchufar el cordón de energía en el receptáculo de la pared, encienda la unidad empujando el interruptor de la posición "0" a la posición "I". Los símbolos utilizados en el interruptor son símbolos internacionales:

○ = APAGADO | = ENCENDIDO

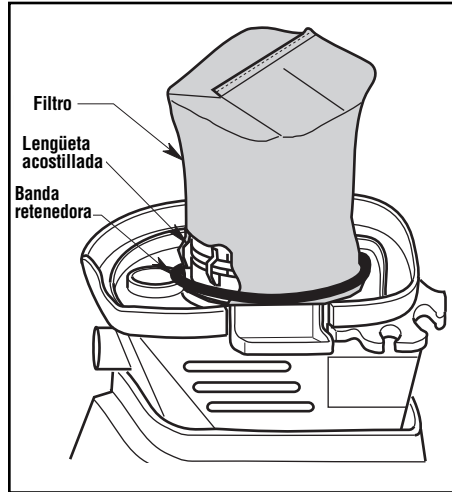


## FUNCIONAMIENTO (continuación)

### Recogida de materiales secos con la aspiradora

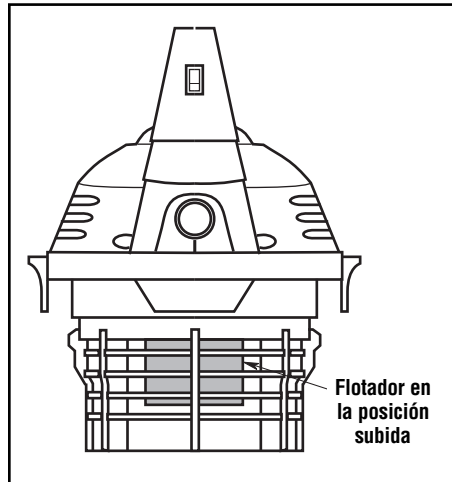
1. El filtro debe estar siempre en la posición correcta para reducir el riesgo de fugas y posibles daños a la aspiradora. Asegúrese de que el filtro esté cubriendo completamente la jaula del filtro y que la banda retenedora esté tan cerca de la tapa como sea posible, ubicada encima de las lengüetas acostilladas de la jaula del filtro. Asegúrese de que no haya holguras entre el filtro y la tapa (vea la ilustración). **Es muy importante ensamblar el filtro en la jaula sin permitir ninguna fuga o desgarradura posible. Cualquier fuga permitirá que el medio recogido se expulse por el orificio del soplador y vuelva al entorno circundante.**
2. Para mantener el máximo rendimiento de la aspiradora cuando recoja residuos pequeños, como por ejemplo aserrín, podría ser útil vaciar el tambor para polvo y limpiar o reemplazar el filtro a intervalos más frecuentes.

**NOTA:** El filtro debería estar seco para recoger material seco. Si usa la aspiradora para recoger residuos secos cuando el filtro está mojado, el filtro se taponará rápidamente y será muy difícil limpiarlo. En caso de que el filtro se moje, reemplácelo antes de continuar la recogida de material seco.



### Recogida de líquidos con la aspiradora

1. Para recoger residuos mojados se recomienda retirar el filtro.
2. Esta aspiradora para mojado/seco está equipada con un mecanismo de flotador que subirá automáticamente para cortar la circulación de aire cuando el líquido contenido en el tambor alcance un nivel predeterminado. Cuando esto ocurra, apague la aspiradora, desenchufe el cordón de energía y vacíe el tambor. Sabrá que el flotador ha cortado la circulación de aire porque la succión cesará y el ruido del motor alcanzará una frecuencia más alta debido al aumento de la velocidad del motor. La capacidad de líquido puede variar con la velocidad de recogida.
3. Asegúrese de reemplazar el filtro después de recoger material mojado. No recoja nunca residuos secos sin tener el filtro instalado adecuadamente.



**⚠ ADVERTENCIA:** No deje nunca la aspiradora en marcha mientras esté desatendida.

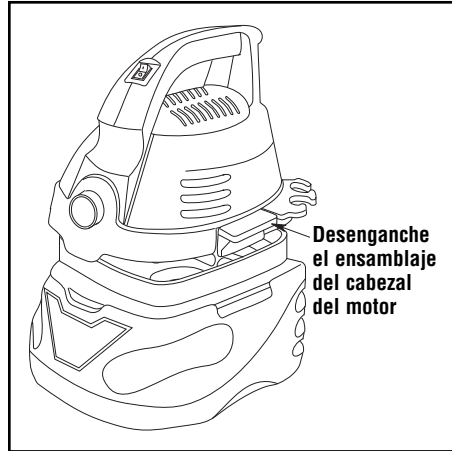
**IMPORTANTE:** Para reducir el riesgo de daños a la aspiradora, no haga funcionar el motor con el flotador en la posición subida.

## FUNCIONAMIENTO (continuación)

### Vaciado del tambor

**⚠ ADVERTENCIA:** Para reducir el riesgo de lesiones debidas a un arranque accidental, desenchufe el cordón de energía antes de vaciar el tambor.

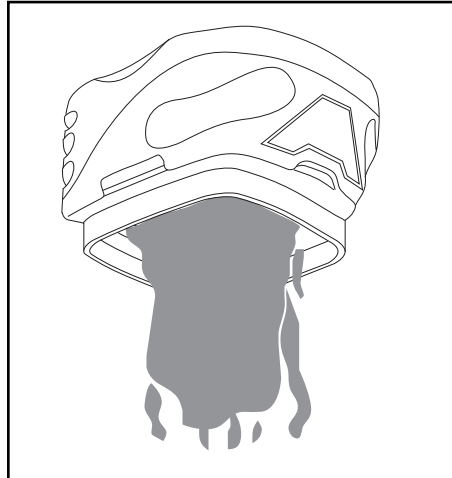
1. Ponga la aspiradora sobre una superficie estable, como el terreno, el piso, un banco, etc.
2. Quite el ensamblaje del cabezal del motor de la aspiradora para mojado/seco tirando hacia fuera de los pestillos ubicados a cada lado de la aspiradora. Levante el ensamblaje del cabezal del motor.
3. Tire el contenido del tambor en el recipiente de eliminación de residuos apropiado.



### Dispositivo de soplado

La aspiradora contiene un dispositivo de soplado. Este dispositivo tiene capacidad para soplar aserrín y otros residuos. Es excelente para utilizarlo con el fin de soplar el polvo y los residuos para sacarlos de garajes o patios y entradas de autos. Siga los pasos que se indican más adelante para utilizar la aspiradora como soplador.

1. Localice el orificio de soplado de la aspiradora.
2. Introduzca un extremo de la manguera de 4 pies x 1-1/4 pulgadas en el orificio de soplado.
3. Encienda la aspiradora y estará listo para utilizarla como soplador.



**⚠ ADVERTENCIA:** Use siempre anteojos de seguridad que cumplan con la norma ANSI Z87.1 (o en Canadá, con la norma CSA Z94.3) antes de utilizar la aspiradora como soplador.

**⚠ ADVERTENCIA:** Para reducir el riesgo de lesiones a las personas que estén presentes, manténgalas alejadas de los residuos soplados.

**⚠ PRECAUCIÓN:** Use una máscara antipolvo si el soplado genera polvo que podría ser inhalado.

**⚠ PRECAUCIÓN:** Para reducir el riesgo de daños a la audición, use protectores de oídos cuando utilice la aspiradora/soplador durante muchas horas seguidas o cuando la utilice en un área ruidosa.

## MANTENIMIENTO

### Filtro

Se debe limpiar a menudo el filtro para mantener el rendimiento máximo de la aspiradora.

**NOTA:** El filtro está hecho de material de alta calidad diseñado para detener partículas pequeñas, tales como aserrín. Maneje con cuidado el filtro cuando lo quite para limpiarlo o instalar un filtro nuevo. No desgarre el filtro al quitarlo o instalarlo si tiene intención de reutilizarlo.

### Filtro fácil de reemplazar

1. Retire la banda retenedora y la bolsa del filtro de la jaula del filtro.
2. Coloque el filtro de repuesto sobre la jaula del filtro hasta que el extremo abierto toque la parte inferior de la tapa.
3. Instale la banda retenedora alrededor de la bolsa del filtro, ubicándola sobre las lengüetas acostilladas de la jaula del filtro.

**IMPORTANTE:** Para evitar daños a la rueda del soplador y al motor, reinstale siempre el filtro antes de utilizar la aspiradora para recoger material seco.

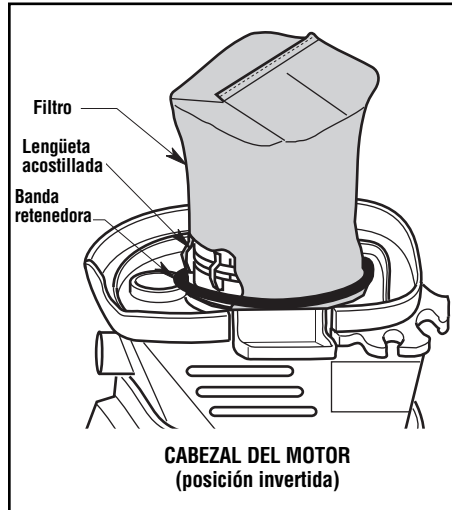
Lleve el filtro sucio a un recipiente de desecho y quite suavemente con un cepillo las partículas de suciedad pequeñas que puedan estar adhiriéndose al material del filtro.

**IMPORTANTE:** Después de limpiar el filtro, compruebe si tiene desgarraduras o agujeros pequeños. No utilice un filtro que tenga agujeros o desgarraduras. Incluso un agujero pequeño puede hacer que salga mucho polvo de la aspiradora. Reemplace inmediatamente dicho filtro.

### Instalación

Antes de instalar el filtro en la aspiradora, limpie el área de la tapa para que la banda retenedora selle la bolsa contra la tapa y evite que las partículas pequeñas pasen rodeando la bolsa del filtro.

Si el filtro está limpio y no está dañado, colóquelo de nuevo en la jaula del filtro. Si el filtro no se puede reutilizar, coloque un filtro nuevo sobre la jaula del filtro.



Coloque de nuevo la banda retenedora alrededor del filtro. Asegúrese de que la banda retenedora esté posicionada sobre el filtro y de que el filtro cubra completamente la jaula del filtro. Además, asegúrese de que los bordes del filtro estén completamente sujetos debajo de la banda retenedora.

**NOTA:** Limpie el filtro en un área abierta. La limpieza se debe realizar en el exterior y no en áreas interiores de vivienda.

**⚠ ADVERTENCIA:** No quite la jaula del filtro y el flotador. El flotador evita que entre líquido en el impulsor y dañe el motor. La jaula impide que los dedos toquen el impulsor cuando éste está en movimiento.



## MANTENIMIENTO (continuación)

### Limpieza

Para mantener el mejor aspecto posible de la aspiradora para mojado/seco, limpie su exterior con un paño humedecido con agua templada y un jabón suave.

Para limpiar el tambor:

1. Vacíe de residuos del tambor.
2. Lave a fondo el tambor con agua templada y un jabón suave.
3. Limpie el tambor con un paño seco.

### Almacenamiento

Antes de almacenar la aspiradora, se debe vaciar y limpiar el tambor para polvo. El cordón se debe enrollar alrededor de la unidad y la manguera se debe almacenar de la manera descrita en la sección sobre almacenamiento del cordón y de la manguera de este manual. Los accesorios se deben mantener en la misma área que la aspiradora para que estén al alcance de la mano cuando se necesiten. La aspiradora se debe almacenar en interiores.

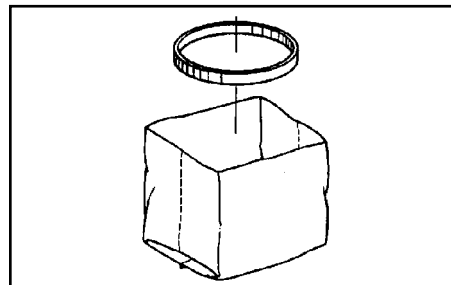
## LOCALIZACIÓN Y RESOLUCIÓN DE PROBLEMAS

Problema	Causa	Remedio
La aspiradora no recoge la suciedad.	<ol style="list-style-type: none"> <li>1. Filtro taponado</li> <li>2. Manguera taponada</li> <li>3. Fuga de aire</li> </ol>	<ol style="list-style-type: none"> <li>1. Limpie o reemplace el filtro (siga las instrucciones de la página 24)</li> <li>2. Quite la manguera y retire los residuos.</li> <li>3. Asegúrese de que el cabezal del motor esté sujeto firmemente al tambor para polvo.</li> </ol>
La aspiradora no funciona.	<ol style="list-style-type: none"> <li>1. No hay electricidad</li> </ol>	<ol style="list-style-type: none"> <li>1. Asegúrese de que el tomacorriente tenga corriente. (Es posible que sea necesario ponerse en contacto con un electricista calificado.)</li> </ol>

**⚠ ADVERTENCIA:** Si cualquiera de las piezas del ensamblaje del cabezal del motor se desprende o rompe, dejando al descubierto el motor o cualquier otro componente eléctrico, se debe interrumpir inmediatamente la operación para reducir el riesgo de lesiones personales o daños adicionales a la aspiradora. Esta aspiradora no tiene piezas que puedan ser ajustadas o reparadas por el usuario.

## FILTRO DE REPUESTO

Los filtros de repuesto están disponibles en el establecimiento donde usted compró su aspiradora y en [www.WORKSHOPvac.com](http://www.WORKSHOPvac.com). El número de pieza es WS01025F.



## GARANTÍA LIMITADA DE WORKSHOP®

Esta garantía limitada es ofrecida por Emerson Tool Company, una división de Emerson Electric Co., radicada en la dirección que se indica más abajo (“ETC” o “nosotros” o “nuestro” o “nuestra”) y se aplica a nuestras aspiradoras para mojado/seco de la marca WORKSHOP (colectivamente, el “Producto WORKSHOP®”).

Si tiene preguntas o necesita asistencia en relación con la garantía de su Producto WORKSHOP, sírvase contactar al Departamento de Servicio al Cliente de Productos WORKSHOP de ETC llamando al número gratuito o escribiendo a la dirección provista más abajo.

### Garantía limitada de WORKSHOP®

ETC, radicada en 8100 W Florissant Ave, St. Louis, MO 63136, ofrece la siguiente garantía limitada al comprador original solamente (“usted” o “su”), sujeta a las exclusiones que se describen a continuación: Su Producto WORKSHOP estará libre de defectos de material y de fabricación cuando se utilice en circunstancias normales de acuerdo con los términos establecidos en el Manual del Usuario que se le entregue a usted con el Producto WORKSHOP, durante un período de tres (3) años a partir de la fecha de compra original (el “Período de Garantía”). Esta garantía limitada se termina si el comprador original transfiere el Producto WORKSHOP a cualquier otra persona o entidad.

### Qué no está cubierto: Exclusiones de la garantía

Esta garantía limitada no se extiende a lo siguiente y lo excluye expresamente:

- El desgaste por el uso normal y/o los aditamentos o accesorios de repuesto, incluyendo, sin limitación, cables de alimentación, mangueras, filtros y otros aditamentos o accesorios que pongamos a la venta para utilizarlos con el Producto WORKSHOP.
- Daños al motor del Producto WORKSHOP o quemadura de dicho motor que resulten del hecho de no despejar una obstrucción que ocurra durante el transcurso normal del uso.
- Pérdida del Producto WORKSHOP o daños al mismo que resulten de situaciones que estén más allá del control de ETC, incluyendo, sin limitación, uso incorrecto, accidente, abuso, descuido, negligencia (que no sea de ETC), sobreutilización más allá de la capacidad prevista según se establezca en el Manual del Usuario o modificaciones o alteraciones realizadas por alguien ajeno a ETC.
- Pérdida del Producto WORKSHOP o daños al mismo que resulten del hecho de no usar el Producto WORKSHOP de acuerdo con las instrucciones escritas, las directrices y los términos y condiciones que se establecen en el Manual del Usuario.

### Notificación de garantía limitada y procedimientos de reclamo

Si descubre dentro del Período de Garantía aplicable que su Producto WORKSHOP tiene un defecto que cree que está cubierto por esta garantía limitada, debe contactar al Departamento de Servicio al Cliente de Productos WORKSHOP de ETC llamando al (888) 455-8724 entre las horas de 8:30 a.m. y 4:30 p.m. Hora Central. Alternativamente, podrá contactar al Departamento de Servicio al Cliente de Productos WORKSHOP de ETC escribiendo a la dirección de correo electrónico indicada en su Manual del Usuario o en la página de Productos WORKSHOP del sitio Web de ETC.

Para que se procese su reclamo bajo garantía lo más rápidamente posible, sugerimos que complete la “Tarjeta de Registro” que está a su disposición en la página de Productos WORKSHOP del sitio Web de ETC en [www.WORKSHOPvacs.com](http://www.WORKSHOPvacs.com). Si opta por no registrar su Producto WORKSHOP, para presentar un reclamo bajo garantía tendrá que proporcionarnos una copia de su recibo de venta u otro comprobante de compra que muestre la fecha de compra, para confirmar que su reclamo está dentro del Período de Garantía y que usted es el comprador original.

## GARANTÍA LIMITADA DE WORKSHOP®

### Qué haremos para corregir los problemas

Después de que usted haya contactado al Departamento de Servicio al Cliente de Productos WORKSHOP de ETC conforme a los procedimientos que anteceden, ETC iniciará los procedimientos de la garantía, incluyendo una inspección física, sujeto a las exclusiones y al Período de Garantía que se establecen en este documento, para determinar si reparar o reemplazar el Producto WORKSHOP o darle a usted un reembolso.

La decisión de reparar o reemplazar su Producto WORKSHOP o darle un reembolso es a nuestra discreción exclusiva. La reparación o los reemplazos que ETC le provea a usted son sin costo alguno para usted si están cubiertos bajo esta garantía limitada. La cobertura bajo esta garantía limitada está condicionada en todo momento a que el comprador original cumpla con la notificación de garantía limitada que antecede y los correspondientes procedimientos de reclamo.

Si su reclamo está cubierto bajo esta garantía limitada, nosotros, a nuestra opción exclusiva (a) repararemos o reemplazaremos la porción defectuosa de su Producto WORKSHOP o (b) reemplazaremos todo su Producto WORKSHOP. Si no podemos proporcionarle un Producto WORKSHOP reparado o de repuesto que sea adecuado, le daremos un reembolso igual al precio de compra de su Producto WORKSHOP o un crédito para utilizarlo hacia la compra de un Producto WORKSHOP nuevo.

### No se aplica ninguna otra garantía expresa

LAS GARANTÍAS LIMITADAS PROVISTAS MÁS ARRIBA SON LAS GARANTÍAS ÚNICAS Y EXCLUSIVAS OFRECIDAS POR ETC AL COMPRADOR ORIGINAL DEL PRODUCTO WORKSHOP Y SUSTITUYEN A TODAS LAS DEMÁS GARANTÍAS, ESCRITAS U ORALES, EXPRESAS O IMPLÍCITAS, TANTO SI SURGEN POR EFECTO DE LA LEY COMO DE OTRA MANERA, INCLUYENDO, SIN LIMITACIÓN, LAS GARANTÍAS DE COMERCIABILIDAD O IDONEIDAD PARA UN PROPÓSITO ESPECÍFICO, TANTO SI EL PROPÓSITO HA SIDO REVELADO COMO SI NO LO HA SIDO Y SI EL PRODUCTO WORKSHOP HA SIDO O NO HA SIDO DISEÑADO O FABRICADO ESPECÍFICAMENTE PARA USO POR USTED O PARA EL PROPÓSITO QUE USTED TENGA. LOS DESCARGOS DE RESPONSABILIDADES DE LAS GARANTÍAS IMPLÍCITAS, INCLUYENDO SIN LIMITACIÓN LAS GARANTÍAS IMPLÍCITAS DE COMERCIABILIDAD E IDONEIDAD PARA UN PROPÓSITO ESPECÍFICO, NO ENTRARÁN EN VIGOR HASTA EL FINAL DEL PERÍODO DE GARANTÍA. Ningún empleado, agente, distribuidor u otra persona está autorizado a alterar esta garantía limitada u ofrecer cualquier otra garantía en nombre de ETC. Los términos de esta garantía limitada no serán modificados por ETC, el propietario original o sus respectivos sucesores o cesionarios.

### Limitación de responsabilidad

EN LA MEDIDA EN QUE ESTÉ PERMITIDO POR LA LEY, ETC NO SERÁ RESPONSABLE EN NINGÚN CASO POR DAÑOS INCIDENTALES, ESPECIALES, INDIRECTOS O EMERGENTES, INCLUYENDO CUALQUIER PÉRDIDA ECONÓMICA, TANTO SI RESULTA DE BAJO RENDIMIENTO, USO, USO INCORRECTO O INCAPACIDAD PARA UTILIZAR EL PRODUCTO WORKSHOP, COMO SI SE DEBE A LA NEGLIGENCIA DE ETC. ETC NO SERÁ RESPONSABLE POR DAÑOS CAUSADOS POR LA DEMORA EN EL RENDIMIENTO DEBIDO Y EN NINGÚN CASO, INDEPENDIEMENTE DE LA FORMA DEL RECLAMO O LA CAUSA DE ACCIÓN (TANTO SI SE BASA EN CONTRATO COMO EN INFRACCIÓN, NEGLIGENCIA, RESPONSABILIDAD ESTRICTA, OTRO AGRAVIO O CUALQUIER OTRA COSA), LA RESPONSABILIDAD DE ETC HACIA USTED O CUALQUIER PERSONA QUE UTILICE EL PRODUCTO WORKSHOP EXCEDERÁ EL PRECIO PAGADO POR EL PROPIETARIO ORIGINAL POR EL PRODUCTO WORKSHOP. La expresión "daños emergentes" incluirá, pero no estará limitada a, pérdida de ganancias anticipadas, interrupción del negocio, pérdida de uso o ingresos, costo de capital o pérdida de bienes o equipos o daños a los mismos.

Algunos estados no permiten la exclusión ni la limitación de los daños incidentales o emergentes, por lo que es posible que la limitación que antecede no tenga aplicación en el caso de usted.

Esta garantía limitada le confiere a usted derechos legales específicos y es posible que usted tenga también otros derechos que varían de un estado a otro.



**THIS PAGE INTENTIONALLY LEFT BLANK**

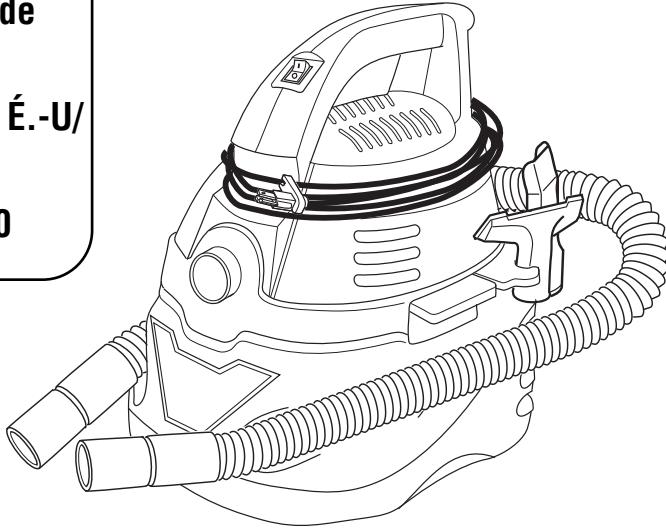


# WORKSHOP

WET/DRY VACS

## MODE D'EMPLOI

- Aspirateur de liquides et de poussières
- 2,5 gallons É.-U/  
9 litres
- WS0250VA0



EN CAS DE QUESTIONS OU POUR OBTENIR DES INFORMATIONS,  
VEUILLEZ NOUS CONTACTER AU :  
**1-888-455-8724** depuis les États-Unis et le Canada  
[www.WORKSHOPvacs.com](http://www.WORKSHOPvacs.com)

**⚠ AVERTISSEMENT :**

Pour réduire le risque de blessure, l'utilisateur doit lire et comprendre le mode d'emploi avant d'utiliser ce produit.

- Español - página 15

**CONSERVER CE MANUEL POUR RÉFÉRENCE FUTURE**

## TABLE DES MATIÈRES

Sujet	Page	Sujet	Page
Instructions importantes relatives à la sécurité	30	Vidage du tambour	37
Introduction	32	Soufflerie	37
Déballage et inspection du contenu du carton	32	Entretien	38
Apprenez à connaître votre aspirateur	33	Filtre	38
Rangement du cordon d'alimentation	33	Filtre facile à remplacer	38
Rangement des accessoires	33	Installation	38
Rangement du tuyau	33	Nettoyage	39
Instructions relatives à la mise à la terre	34	Rangement	39
Fonctionnement	35	Localisation de la cause des problèmes	39
Aspiration de matériaux secs	36	Filtres de rechange	39
Aspiration de liquides	36	Garantie	40

## INSTRUCTIONS IMPORTANTES RELATIVES À LA SÉCURITÉ

La sécurité est une combinaison de faire preuve de bon sens, rester vigilant et savoir comment votre aspirateur de liquides et de poussières (l'« aspirateur ») fonctionne.

### Termes de signalisation de questions de sécurité

**▲ DANGER** : indique une situation dangereuse qui, si elle n'est pas évitée, causera la mort ou une blessure grave.

**▲ AVERTISSEMENT** : indique une situation dangereuse qui, si elle n'est pas évitée, risque de causer la mort ou une blessure grave.

**▲ MISE EN GARDE** : indique une situation dangereuse qui, si elle n'est pas évitée, pourrait causer une blessure légère ou modérée.

Prenez toujours des précautions élémentaires, notamment les précautions suivantes, lorsque vous utilisez votre aspirateur de liquides et de poussières :

### ▲ AVERTISSEMENT

– Pour réduire le risque d'incendie, de choc électrique ou de blessure :

- Lisez et comprenez ce manuel et toutes les étiquettes placées sur l'aspirateur avant de mettre celui-ci en marche.
- N'utilisez l'aspirateur que comme cela est décrit dans ce mode d'emploi.
- Ne laissez pas en marche pendant que vous êtes absent – vous vous risqueriez de manquer des signes importants indiquant un fonctionnement anormal, comme une perte de puissance d'aspiration, la sortie de débris ou de liquides par la bouche de soufflage d'air ou des bruits anormaux en provenance du moteur. Cessez immédiatement d'utiliser l'aspirateur si vous constatez de tels signes.
- Ne laissez pas l'aspirateur sans surveillance quand il est branché dans une prise de courant. Débranchez-le de la prise quand il n'est pas utilisé

et avant toute opération de maintenance.

- Des étincelles à l'intérieur du moteur risquent de mettre feu à des vapeurs ou poussières inflammables. Pour réduire le risque d'incendie ou d'explosion : n'utilisez pas à proximité de gaz ou de liquides inflammables ou combustibles, ou de poussières explosives, comme de l'essence automobile ou d'autres fiouls, de l'essence à briquet, des produits de nettoyage, de la peinture à l'huile, du gaz naturel, de l'hydrogène, de la poussière de charbon, de la poussière de magnésium, de la poussière d'aluminium, de la poussière de céréales ou de la poudre.
- N'aspirez jamais de matières en train de brûler ou des matières fumigènes, telles que des cigarettes, des allumettes ou des cendres chaudes.
- N'aspirez pas de poussières de cloisons sèches, de cendres de cheminée froides ou d'autres poussières fines, parce qu'elles risqueraient de traverser le sac-filtre et d'être rejetées dans l'air ambiant.
- Pour réduire le risque d'inhalation de vapeurs toxiques, n'aspirez pas de matériaux toxiques ou dangereux, et n'utilisez pas à proximité de tels matériaux.
- Pour réduire le risque de choc électrique, n'exposez pas à la pluie et empêchez l'entrée de liquides dans le compartiment du moteur. Rangez à l'intérieur.
- Ne laissez pas les enfants se servir de l'aspirateur comme d'un jouet. Il faut surveiller de très près quand il est utilisé par des enfants ou à proximité d'enfants.
- N'utilisez pas avec un filtre déchiré ou sans avoir installé de filtre, sauf quand vous aspirez des liquides, comme cela est décrit dans ce mode d'emploi. Des débris secs capturés par la roue risquent d'endommager le moteur ou d'être expulsés à nouveau dans l'air ambiant.
- Éteignez l'aspirateur avant de le débrancher.

- Pour réduire le risque de blessure pouvant être causée par une mise en marche accidentelle, débranchez le cordon d'alimentation avant de changer le filtre ou de le nettoyer.
- Ne débranchez pas en tirant sur le cordon. Pour débrancher, saisissez la fiche – pas le cordon.
- N'utilisez pas l'aspirateur avec une fiche, un cordon ou un autre composant endommagé. Si votre aspirateur ne fonctionne pas comme il faut, s'il manque des pièces, s'il quelqu'un l'a laissé tomber, s'il est endommagé, s'il a été laissé à l'extérieur ou s'il est tombé dans de l'eau, téléphonez au service d'assistance à la clientèle.
- Ne tirez pas l'aspirateur et ne le portez pas par son cordon, n'utilisez pas le cordon pour servir de poignée, ne fermez pas une porte sur le cordon et ne laissez pas le cordon tendu passer sur des bords ou des coins tranchants. Ne traînez pas l'aspirateur sur son cordon. Maintenez le cordon à distance des surfaces chauffées.
- Ne touchez pas la fiche, l'interrupteur ou l'aspirateur avec des mains mouillées.
- Utilisez seulement des cordons de rallonge qui sont conçus pour emploi à l'extérieur. Les cordons de rallonge en mauvais état ou trop petits en termes de calibre des fils peuvent poser des risques d'incendie et de choc électrique. Pour réduire le risque de tels dangers, inspectez les cordons pour vous assurer qu'ils sont en bon état et que le liquide n'entre pas en contact avec le raccordement. N'utilisez pas de cordons de rallonge dont les conducteurs ont un calibre inférieur à 16 AWG. Pour réduire la perte d'énergie, utilisez un cordon de rallonge de calibre 14 s'il mesure entre 7,5 et 15 mètres de long, ou de calibre 12 s'il mesure 15 mètres de long ou plus.
- Connecter cet outil uniquement à une prise mise à la terre correctement. Veuillez vous reporter aux instructions relatives à la mise à la terre.
- Ne mettez aucun objet dans les orifices de ventilation. N'aspirez pas quand de quelconques orifices de ventilation sont obstrués ; assurez-vous que ces orifices ne sont pas bloqués par de la poussière, de la peluche, des cheveux ou de quelconques objets pouvant réduire la circulation de l'air.
- Gardez les cheveux, les vêtements flottants, les doigts et toutes les parties du corps à distance des orifices et des pièces mobiles.
- Pour réduire le risque de chute, faites très attention lorsque vous utilisez l'aspirateur dans des escaliers.
- Pour réduire le risque de blessure ou le risque d'endommagement de l'aspirateur, n'utilisez que des accessoires recommandés par WORKSHOP.
- En cas d'utilisation de l'aspirateur comme soufflante :
  - Ne dirigez la décharge d'air que vers la zone de travail.
  - Ne dirigez pas l'air vers des personnes présentes à proximité.
  - Gardez les enfants à distance lors du fonctionnement de la soufflante.
  - N'utilisez la soufflante que pour souffler des saletés et des débris.
  - N'utilisez pas en guise de pulvérisateur.
  - Portez des lunettes de sécurité.
- Pour réduire le risque de blessure pour les yeux, portez des lunettes de sécurité. L'utilisation de toute soufflante ou de tout aspirateur utilitaire peut toujours causer la projection de corps étrangers dans les yeux, ce qui risque d'entraîner des blessures graves aux yeux.

#### ▲ MISE EN GARDE :

- Pour réduire le risque de perte auditive, portez des protecteurs d'oreilles lorsque vous vous servez de l'aspirateur pendant plusieurs heures ou quand vous l'utilisez dans un endroit bruyant.
- Portez un masque antipoussières en cas d'utilisation dans un environnement poussiéreux.
- Les décharges statiques sont fréquentes dans les endroits secs ou lorsque l'humidité relative de l'air ambiant est faible. L'aspiration de débris fins avec votre aspirateur peut déposer une charge statique sur le tuyau ou sur l'aspirateur. La meilleure chose à faire pour réduire la fréquence des décharges statiques chez vous ou lorsque vous utilisez cet aspirateur consiste à ajouter de l'humidité dans l'air avec un humidificateur.

Observez les avertissements suivants qui figurent sur le carter du moteur de votre aspirateur :

**▲ AVERTISSEMENT: pour réduire le risque de choc électrique – n'exposez pas à la pluie – rangez à l'intérieur.**

**Pour votre propre sécurité, lisez et comprenez le manuel de l'opérateur. Ne laissez jamais l'aspirateur en marche sans surveillance. Ne ramassez pas de cendres chaudes, de charbon ou de matières toxiques, inflammables ou dangereuses. N'utilisez pas à proximité de vapeurs ou de liquides explosifs.**

## CONSERVER CE MANUEL

## INTRODUCTION

Cet aspirateur a été conçu pour une utilisation ménagère. Il peut être utilisé pour l'aspiration de débris humides ou secs, mais aussi comme une soufflerie. Sa conception légère lui permet d'être utilisé pour la plupart des travaux ménagers d'aspiration. Familiarisez-vous avec les fonctions

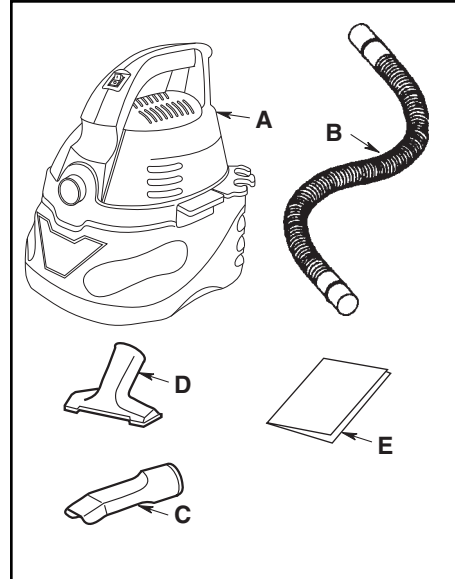
suivantes de ce produit, et lisez le mode d'emploi du début à la fin pour des détails spécifiques quant à l'utilisation de votre nouvel aspirateur de liquides et poussières.

## DÉBALLAGE ET INSPECTION DU CONTENU DU CARTON

Retirez tous les éléments se trouvant dans la boîte en carton. Inspectez chaque élément en le comparant à la liste incluse dans la boîte en carton. Téléphonnez au 1-888-455-8724 ou envoyez-nous un courriel à [info@WORKSHOPvacs.com](mailto:info@WORKSHOPvacs.com) si des pièces sont manquantes ou endommagées.

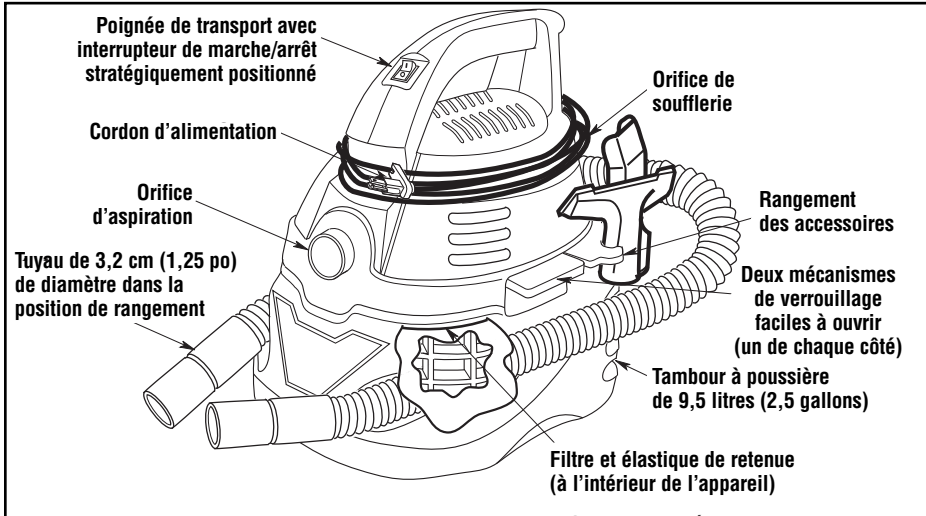
### Liste du contenu de la boîte en carton

Légende	Description	Qté
A	Aspirateur . . . . .	1
B	Tuyau . . . . .	1
C	Suceur pour véhicules . . . . .	1
D	Suceur à usages multiples . . . . .	1
E	Mode d'emploi . . . . .	1





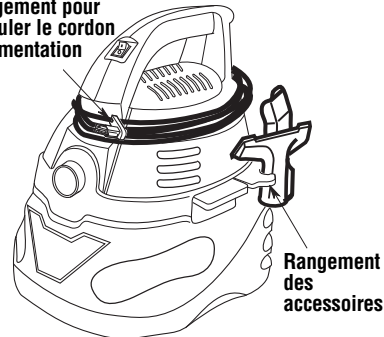
## APPRENEZ À CONNAÎTRE VOTRE ASPIRATEUR



### Rangement du cordon d'alimentation

1. Votre aspirateur de liquides et de poussières est muni d'un système pratique pour ranger le cordon d'alimentation lorsque l'aspirateur n'est pas utilisé.
2. Enroulez le cordon d'alimentation autour de la poignée dans les rainures conçues à cet effet et situées sur l'ensemble moteur.

### Rangement pour enrouler le cordon d'alimentation

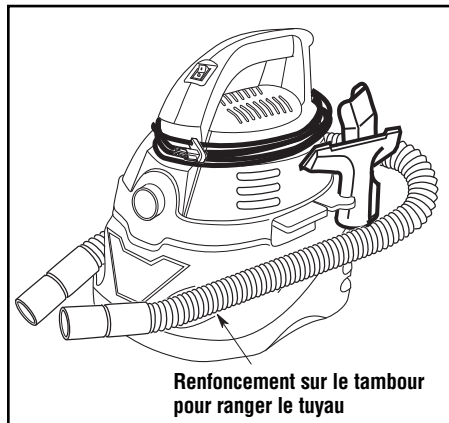


### Rangement des accessoires

Un rangement est fourni pour les accessoires à l'arrière de l'appareil. Fixez l'accessoire dans le support depuis le côté, tel que cela est illustré.

### Rangement du tuyau

Il y a des encastréments de chaque côté du tambour pour permettre d'y ranger le tuyau.

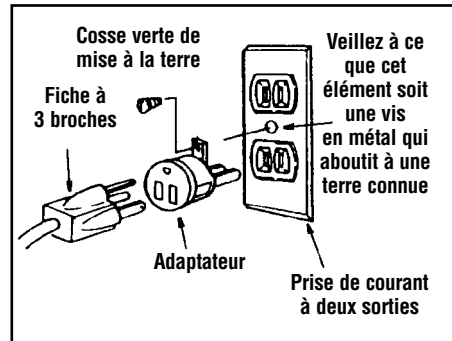
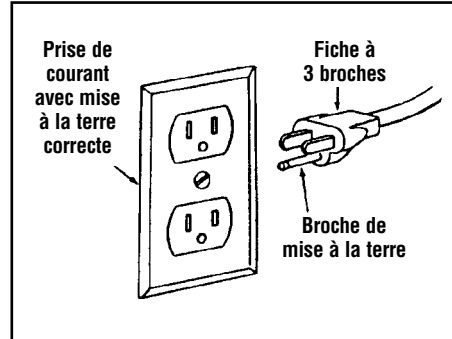


## INSTRUCTIONS RELATIVES À LA MISE À LA TERRE

Cet appareil doit être mis à la terre. Dans le cas d'un mauvais fonctionnement ou d'une panne de l'appareil, la mise à la terre fournit un chemin de moindre résistance pour le courant électrique qui permet de réduire le risque de choc électrique. Cet appareil est équipé d'un cordon électrique muni d'un conducteur de mise à la terre et d'une fiche de mise à la terre. Cette fiche doit être branchée dans une prise compatible qui a été correctement installée et mise à la terre conformément à tous les codes et à toutes les ordonnances en vigueur.

### ▲ AVERTISSEMENT :

une connexion erronée du conducteur de mise à la terre de l'appareil peut entraîner des risques de choc électrique. Adressez-vous à un électricien qualifié ou à un membre du personnel de service si vous n'êtes pas sûr que votre outil est correctement mis à la terre. Ne modifiez pas la fiche qui vous a été fournie avec cet appareil – Si elle n'est pas compatible avec votre prise de courant, demandez à un électricien qualifié de vous installer une prise appropriée.



Cet appareil a été conçu pour être utilisé sur un circuit nominal de 120 volts, et il est muni d'une fiche à trois broches (dont une de mise à la terre) qui ressemble à la fiche représentée sur l'illustration. Si vous n'avez pas à votre disposition une prise de courant avec mise à la terre correcte, un adaptateur temporaire qui ressemble à l'adaptateur représenté sur l'illustration peut être utilisé pour brancher cette fiche dans une prise de courant à deux sorties. Cet adaptateur temporaire ne doit être utilisé que jusqu'à ce qu'un électricien agréé ait installé une prise de courant avec mise à la terre correcte. La patte rigide de couleur verte, la cosse et les autres pièces qui dépassent de l'adaptateur doivent être connectées à une terre permanente telle qu'une boîte à prise de courant mise à la terre correctement. Chaque fois que l'adaptateur est utilisé, il doit être tenu en place par une vis en métal.

**REMARQUE :** au Canada, l'utilisation d'un adaptateur temporaire n'est pas autorisée par le code d'électricité du Canada.

## FONCTIONNEMENT

**⚠ AVERTISSEMENT** : pour réduire le risque d'incendie, d'explosion ou d'endommagement de l'aspirateur :

- Ne laissez pas en marche pendant que vous êtes absent – vous vous risqueriez de manquer des signes importants indiquant un fonctionnement anormal, comme une perte de puissance d'aspiration, la sortie de débris ou de liquides par la bouche de soufflage d'air ou des bruits anormaux en provenance du moteur. Cessez immédiatement d'utiliser l'aspirateur si vous constatez de tels signes.
- Ne laissez pas l'aspirateur branché lorsque vous ne l'utilisez pas.
- Ne continuez pas à utiliser l'aspirateur lorsque le flotteur a coupé l'aspiration.
- Les étincelles à l'intérieur du moteur risqueraient de mettre feu à des matières inflammables en suspension dans l'air. Ne pas utiliser l'aspirateur à proximité de liquides inflammables ou à des endroits où il y a des gaz ou des vapeurs inflammables, ou de la poussière explosive/dans l'air. Les liquides, gaz et vapeurs inflammables comprennent : essence à briquet, produits de nettoyage du type solvant, peinture à base d'huile, essence, alcool et aérosols. Types de poussières explosives : charbon, magnésium, aluminium, céréales et poudre noire.
- N'aspirez pas de poussières explosives, de liquides inflammables ou de cendres chaudes.

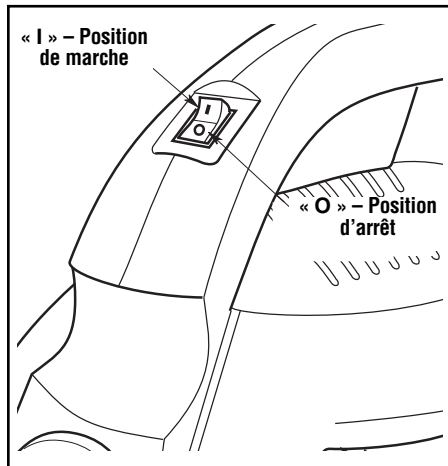
**⚠ AVERTISSEMENT** : pour réduire le risque de choc électrique ou de blessure :

- N'exposez pas à la pluie, et ne laissez pas de liquides pénétrer dans le compartiment du moteur. Rangez à l'intérieur.
- Ne touchez pas la fiche de branchement, l'interrupteur ou l'aspirateur si vous avez les mains mouillées.
- Débrancher l'aspirateur avant d'effectuer une quelconque opération de maintenance. Si votre aspirateur ne fonctionne pas comme il devrait, si des pièces sont manquantes, si vous l'avez laissé tomber, s'il est endommagé, s'il a été laissé à l'extérieur ou s'il a été immergé dans de l'eau, rappez-le dans un centre de réparation indépendant ou téléphonez au service d'assistance à la clientèle.
- Lorsque vous utilisez un cordon de rallonge, n'utilisez qu'un cordon prévu pour emploi à l'extérieur et en bon état. Ne laissez pas la connexion entrer en contact avec des liquides.

Votre aspirateur de liquides et de poussières de 9,5 litres (2,5 gallons) a été assemblé en usine, et il est prêt à l'emploi quand vous le déballez du carton. L'appareil est prêt à assurer ses fonctions de soufflerie, ou d'aspiration de déchets secs.

Après avoir branché le cordon d'alimentation dans la prise de courant, mettez l'appareil sous tension en appuyant sur l'interrupteur pour le faire passer de la position « 0 » à la position « 1 ». Ces deux symboles internationaux figurant sur le capot du moteur indiquent, respectivement, la position d'arrêt et la position de marche de votre aspirateur.

○ = ARRÊT | = MARCHÉ

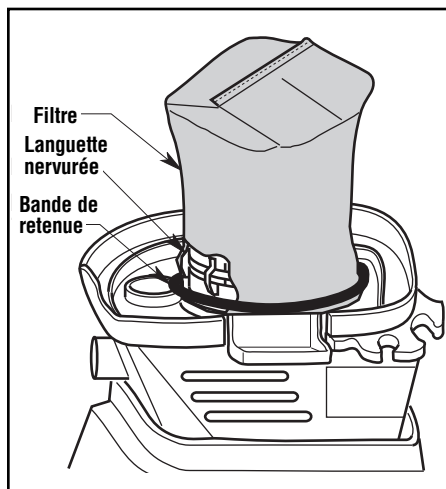


## FONCTIONNEMENT (suite)

### Aspiration de matériaux secs

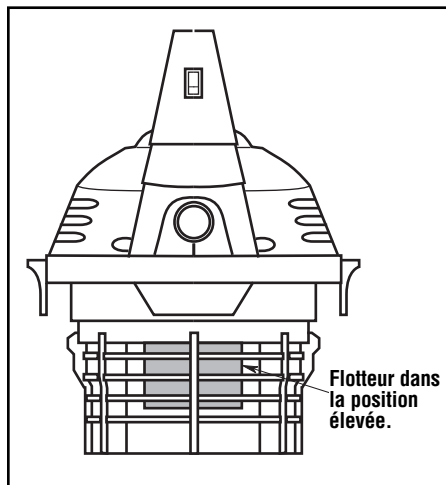
1. Le filtre doit toujours être mis en place correctement afin de réduire le risque de fuite et le potentiel d'endommager l'aspirateur. Assurez-vous que le filtre recouvre complètement la cage du filtre et que la bande de retenue est aussi proche du couvercle que possible, au-dessus des languettes nervurées sur la cage du filtre. Veillez à ce qu'il n'y ait pas d'espace entre le filtre et le couvercle. (Veuillez vous reporter à l'illustration.) **Il est très important d'assembler le filtre et la cage sans permettre la moindre possibilité de fuite ou de déchirure. Toute fuite causerait l'éjection des déchets aspirés par l'orifice de soufflerie et leur propagation dans l'environnement immédiat.**
2. Lorsque vous utilisez votre aspirateur pour aspirer des poussières fines, vous devrez vider le tambour à poussière ou remplacer le filtre plus fréquemment afin de maintenir la performance maximale de l'aspirateur.

**REMARQUE :** le filtre doit être sec pour aspirer des déchets secs. Si vous vous servez de l'aspirateur en vue de ramasser de la poussière alors que le filtre est humide, le filtre se bouchera très vite et il sera ensuite très difficile à nettoyer. Si le filtre est humide, remplacez-le avant de continuer à ramasser des matériaux secs.



### Aspiration de liquides

1. Il est recommandé de retirer le filtre avant d'aspirer des matières humides.
2. Votre aspirateur de liquides et de poussières est muni d'un flotteur qui s'élève automatiquement afin de couper la circulation de l'air lorsque le liquide aspiré atteint un niveau prédéterminé dans le tambour. Lorsque ceci se produit, mettez l'aspirateur hors tension, débranchez le cordon d'alimentation et videz le tambour. Vous vous rendez compte que le flotteur a fermé la circulation de l'air parce que le bruit de succion s'interrompt et parce que le bruit du moteur devient alors plus aigu en raison de l'accélération de sa vitesse. La capacité d'aspiration de liquide de l'aspirateur peut varier en fonction de la vitesse de ramassage.
3. N'oubliez pas de changer le filtre après un ramassage de débris humides. Ne ramassez jamais de débris secs si le filtre n'est pas installé correctement.



**⚠ AVERTISSEMENT : ne laissez jamais l'aspirateur en marche sans surveillance.**

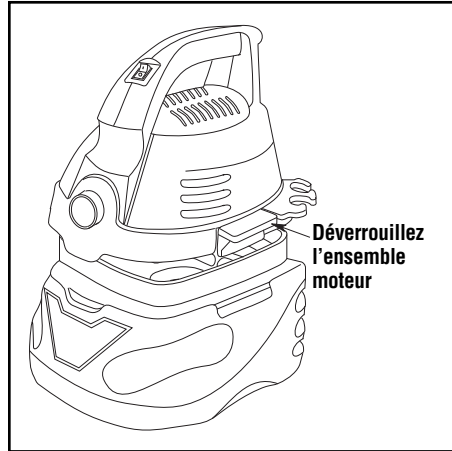
**IMPORTANT :** pour réduire les risques d'endommager l'aspirateur, ne faites pas fonctionner le moteur quand le flotteur est dans la position élevée.

## FONCTIONNEMENT (suite)

### Vidage du tambour

**⚠ AVERTISSEMENT :** pour réduire le risque de blessure en raison d'une mise en marche accidentelle, débrancher le cordon électrique avant de vider le tambour.

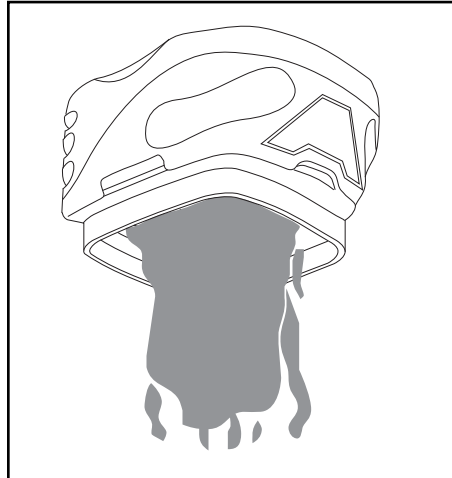
1. Placer l'aspirateur à plat sur une surface stable telle que le sol, le plancher, un banc, etc.
2. Retirer l'ensemble de tête du moteur de l'aspirateur de liquides et de poussières en tirant vers l'extérieur les mécanismes de verrouillage situés de chaque côté de l'aspirateur. Soulevez l'ensemble de tête du moteur.
3. Versez le contenu du tambour à poussière dans une poubelle appropriée.



### Soufflerie

Votre aspirateur est muni d'une fonction de soufflerie; cela veut dire qu'il est capable de disperser la sciure de bois et d'autres débris. Il est excellent pour disperser la poussière et les débris hors d'un garage, d'une cour ou d'une allée. Suivez la procédure indiquée ci-dessous pour utiliser l'aspirateur comme une soufflerie.

1. Localiser l'orifice de soufflerie de votre aspirateur.
2. Insérer une extrémité du tuyau flexible de 1,22 mètre (4 pi) x 3,2 cm (1,25 po) dans l'orifice de soufflerie.
3. Mettre l'aspirateur en marche – l'aspirateur peut désormais être utilisé comme une soufflerie.



**⚠ AVERTISSEMENT :** il faut toujours porter des lunettes de protection conformes à la norme ANSI Z87.1 (ou, au Canada, ACNOR Z94.3) avant de se servir de l'aspirateur comme une soufflerie.

**⚠ MISE EN GARDE :** pour réduire le risque d'endommagement de l'ouïe, portez des protecteurs d'oreilles quand vous utilisez l'aspirateur/la soufflante pendant de longues périodes ou quand vous l'utilisez dans un environnement bruyant.

**⚠ AVERTISSEMENT :** pour ne pas risquer de causer des blessures à d'autres personnes, il est recommandé de leur demander de rester à distance suffisante des débris soufflés.

**⚠ MISE EN GARDE :** portez un masque anti-poussière si votre soufflage crée de la poussière qui pourrait être aspirée.

## ENTRETIEN

### Filtre

Votre filtre doit être nettoyé souvent afin de maintenir la performance maximale de votre aspirateur.

**REMARQUE** : le filtre est fait d'un matériau de haute qualité conçu pour arrêter de petites particules de poussière. Lorsque vous retirez un filtre pour le nettoyer, ou lorsque vous installez un filtre de rechange, manipulez toujours ce filtre avec soin. Si vous avez l'intention de réutiliser un filtre, ne l'arrachez jamais pendant son retrait ou pendant sa mise en place.

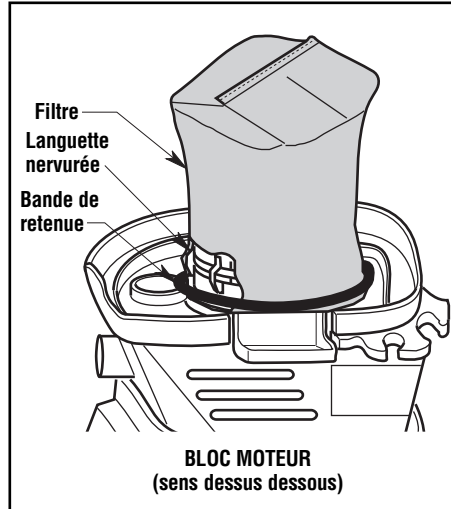
### Filtre facile à remplacer

1. Retirez la bande de retenue et le sac filtrant de la cage du filtre.
2. Placer le filtre de rechange sur la cage à filtre jusqu'à ce que l'extrémité ouverte touche le fond du couvercle.
3. Installez la bande de retenue autour du sac filtrant en la plaçant en dessus des languettes nervurées sur la cage du filtre.

**IMPORTANT** : pour éviter d'endommager la roue de la soufflerie et le moteur, remettez toujours le filtre en place avant d'aspirer des matériaux solides.

Mettez le filtre sale au-dessus d'une poubelle et brossez-le doucement pour enlever les petites particules de poussière qui peuvent adhérer au filtre.

**IMPORTANT** : après avoir nettoyé le filtre, vérifiez qu'il ne présente pas de déchirures ou de petits trous. Si vous détectez des trous ou des déchirures, n'utilisez pas le filtre. Même un trou de petite taille peut laisser beaucoup de poussière s'échapper de votre aspirateur. Remplacez le filtre immédiatement.



### Installation

Avant d'installer le filtre sur l'aspirateur, nettoyez la surface du couvercle de façon à ce que l'élastique de retenue fasse adhérer le sac hermétiquement au couvercle et empêche les petites particules de contourner le sac de filtre.

Si le filtre est propre et non endommagé, remettez-le en place sur la cage à filtre. S'il ne peut pas être réutilisé, placez un nouveau filtre sur la cage à filtre.

Remettez l'élastique de retenue autour du filtre. Veillez à ce que l'élastique de retenue soit positionné sur le filtre et à ce que le filtre recouvre complètement la cage à filtre. De plus, veillez à ce que les rebords du filtre soient tout à fait assujettis par l'élastique de retenue.

**REMARQUE** : nettoyez le filtre dans un espace ouvert. Un tel nettoyage doit être effectué à l'extérieur, et non pas à l'intérieur d'un bâtiment.

**⚠ AVERTISSEMENT** : ne retirez pas la cage du filtre et le flotteur à leur place. Le flotteur empêche l'eau de pénétrer dans l'hélice et d'endommager le moteur. La cage empêchera les doigts d'entrer en contact avec l'hélice en train de tourner.

## ENTRETIEN (suite)

### Nettoyage

Pour conserver l'esthétique optimale de votre aspirateur de poussières et de liquides, nettoyez la surface extérieure de l'aspirateur à l'aide d'un chiffon imbibé d'eau tiède savonneuse.

Procédure de nettoyage du tambour :

1. Vider les débris.
2. Nettoyez soigneusement le tambour à poussière à l'aide d'un savon doux et d'eau tiède.
3. Essuyer avec un chiffon sec.

### Rangement

Vous devez vider et nettoyer le tambour à poussière avant de ranger votre aspirateur. Le cordon d'alimentation doit ensuite être enroulé autour de l'appareil et le tuyau doit être rangé de la façon décrite dans la section de ce mode d'emploi relative au rangement du cordon et du tuyau. Les accessoires doivent être rangés à proximité de l'aspirateur de façon à pouvoir les trouver facilement. L'aspirateur doit être rangé à l'intérieur d'un bâtiment.

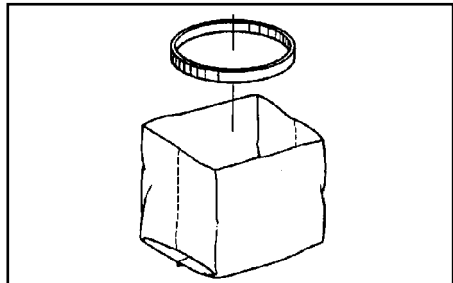
## LOCALISATION DE LA CAUSE DES PROBLÈMES

Problème	Cause	Solution
L'aspirateur n'aspire pas les déchets.	<ol style="list-style-type: none"> <li>1. Filtre bouché</li> <li>2. Tuyau obturé</li> <li>3. Fuite d'air</li> </ol>	<ol style="list-style-type: none"> <li>1. Nettoyez le filtre ou remplacez-le (en suivant les instructions de la page 38)</li> <li>2. Retirez le tuyau et enlevez les débris.</li> <li>3. Veillez à ce que la tête du moteur soit fermement assujettie au tambour à poussière.</li> </ol>
L'aspirateur ne fonctionne pas.	<ol style="list-style-type: none"> <li>1. Pas d'électricité</li> </ol>	<ol style="list-style-type: none"> <li>1. Veillez à ce que la prise de courant soit sous tension (vous devrez peut-être faire appel à un électricien qualifié).</li> </ol>

**⚠ AVERTISSEMENT :** au cas où les éléments de l'ensemble de tête du moteur seraient endommagés ou se détacheraient, exposant ainsi des éléments du moteur ou des composants électriques, vous devez cesser immédiatement d'utiliser l'aspirateur afin de réduire le risque de blessures personnelles ou d'endommagement supplémentaire de l'aspirateur. Cet aspirateur ne contient pas de composants pouvant être réparés par l'utilisateur.

## FILTRE DE RECHANGE

Vous pouvez vous procurer des filtres de rechange dans le magasin où vous avez acheté votre aspirateur ou en vous rendant sur le site [www.WORKSHOPvacs.com](http://www.WORKSHOPvacs.com). Le numéro de catalogue de ces filtres est WS01025F.



## GARANTIE LIMITÉE WORKSHOP®

La présente garantie limitée est offerte par Emerson Tool Company, une division d'Emerson Electric Co., établie à l'adresse indiquée ci-dessous (« ETC » ou « nous » ou « notre » ou « nos ») et elle s'applique à nos aspirateurs de liquides et de poussières de la marque WORKSHOP (collectivement, le « **Produit WORKSHOP®** »).

En cas de questions, ou si vous avez besoin d'assistance en ce qui concerne la garantie de votre Produit WORKSHOP, veuillez contacter le Département du service à la clientèle d'ETC pour les produits WORKSHOP au numéro d'appel gratuit ou à l'adresse figurant ci-dessous.

### Garantie limitée WORKSHOP®

ETC, établie au 8100 W Florissant Ave., St. Louis, MO 63136, offre la garantie limitée suivante à l'acheteur original exclusivement (« **vous** » ou « **vo**tre ») sous réserve des exclusions décrites ci-dessous : votre Produit WORKSHOP ne comportera aucun défaut de matériau ou de fabrication en cas d'utilisation dans des conditions normales conformément aux dispositions du Mode d'emploi qui vous a été fourni avec le Produit WORKSHOP pendant une période de trois (3) ans à compter de la date d'achat d'origine (la « **Période de garantie** »). La présente garantie limitée cesse de produire des effets si l'acheteur original cède le Produit WORKSHOP à une autre personne physique ou morale.

### Ce qui n'est pas couvert - Exclusions de la garantie

La présente garantie limitée ne couvre pas et exclut expressément :

- L'usure normale et/ou les accessoires ou éléments amovibles tels que, sans toutefois s'y limiter, les cordons d'alimentation, les tuyaux flexibles, les filtres et tous autres accessoires ou éléments amovibles que nous pouvons mettre en vente pour emploi avec le Produit WORKSHOP.
- L'endommagement ou le claquage du moteur du Produit WORKSHOP causé par le fait qu'un blocage intervenu dans le cadre d'une utilisation normale n'aurait pas été éliminé.
- La destruction ou l'endommagement du Produit WORKSHOP pour des raisons au-delà du contrôle d'ETC, y compris, sans toutefois s'y limiter, un emploi inapproprié, un accident, une utilisation abusive, de la négligence, une faute (commise par une partie autre qu'ETC), un emploi excessivement intensif allant au-delà de la capacité nominale indiquée dans votre Mode d'emploi, ou des modifications ou des altérations effectuées par toute partie autre qu'ETC.
- La destruction ou l'endommagement du Produit WORKSHOP résultant du fait que le Produit WORKSHOP n'a pas été utilisé conformément aux instructions écrites, aux directives ou aux conditions générales énoncées dans le mode d'emploi.

### Procédures de notification et de réclamation dans le cadre de la garantie limitée

Si, pendant la Période de garantie qui vous est applicable, vous découvrez que votre Produit WORKSHOP comporte un défaut qui, selon vous, est couvert par la présente garantie limitée, vous devez contacter le Département du service à la clientèle d'ETC pour les produits WORKSHOP au (888) 455-8724 entre les heures de 8h30 et de 16h30, Heure du Centre. Vous pouvez également contacter le Département du service à la clientèle d'ETC pour les Produits WORKSHOP à l'adresse courriel figurant dans votre mode d'emploi ou sur la page consacrée aux Produits WORKSHOP du site Internet d'ETC.

Pour que votre réclamation dans le cadre de la garantie puisse être traitée aussi rapidement que possible, nous vous suggérons de remplir la « Carte d'enregistrement » qui est mise à votre disposition sur la page consacrée aux Produits WORKSHOP du site Internet d'ETC à [www.WORKSHOPvacs.com](http://www.WORKSHOPvacs.com). Si vous décidez de ne pas enregistrer votre Produit WORKSHOP, pour pouvoir faire une réclamation dans le cadre de la garantie, vous devrez nous fournir une copie de votre reçu ou un autre justificatif d'achat montrant la date de l'achat afin de confirmer que votre réclamation est effectuée avant la fin de la Période de garantie et que vous êtes l'acheteur original.



## GARANTIE LIMITÉE WORKSHOP®

### Ce que nous ferons pour remédier aux problèmes

Après que vous aurez contacté le Département du service à la clientèle d'ETC pour les produits WORKSHOP en appliquant les procédures ci-dessus, ETC déclenchera la procédure d'application de la garantie, y compris une inspection physique, sous réserve des exclusions et en tenant compte de la Période de garantie indiquée aux présentes, afin de déterminer s'il convient de réparer ou de remplacer le Produit WORKSHOP ou de vous rembourser le prix d'achat.

La décision de réparer ou de remplacer votre Produit WORKSHOP ou de vous en rembourser le prix d'achat est à notre discrétion absolue. La réparation ou le remplacement d'un Produit par ETC pour votre bénéfice ne vous coûtera rien si vous bénéficiez de la couverture de la présente garantie limitée. La couverture fournie en vertu de la présente garantie limitée ne s'applique, à tout moment, que si l'acheteur original respecte les procédures ci-dessus concernant la notification et la réclamation dans le cadre de la garantie limitée.

Si votre réclamation est couverte en vertu de la présente garantie limitée, nous nous engageons, à notre discrétion absolue, (a) à réparer ou à remplacer la partie défectueuse de votre Produit WORKSHOP ou (b) à remplacer la totalité de votre Produit WORKSHOP. Si nous ne sommes pas en mesure de mettre à votre disposition un produit WORKSHOP réparé de façon adéquate ou un Produit WORKSHOP de rechange, nous vous fournirons un remboursement d'un montant égal au prix d'achat de votre Produit WORKSHOP ou un crédit que vous pourrez utiliser pour acheter un nouveau Produit WORKSHOP.

### Aucune autre garantie expresse ne s'applique

LES GARANTIES LIMITÉES FOURNIES CI-DESSUS SONT LES GARANTIES UNIQUES ET EXCLUSIVES FOURNIES PAR ETC À L'ACHETEUR ORIGINAL DU PRODUIT WORKSHOP, ET ELLE REMPLACE TOUTES LES AUTRES GARANTIES, ÉCRITES OU ORALES, EXPRESSES OU TACITES, QU'ELLES S'APPLIQUENT DE PLEIN DROIT OU AUTREMENT, Y COMPRIS, SANS TOUTEFOIS S'Y LIMITER, LES GARANTIES DE QUALITÉ MARCHANDE OU D'ADÉQUATION À UN BUT PARTICULIER, QUE LEDIT BUT AIT ÉTÉ DIVULGUÉ OU NON, ET QUE LE PRODUIT WORKSHOP AIT ÉTÉ CONÇU OU FABRIQUÉ SPÉCIFIQUEMENT POUR VOTRE EMPLOI OU POUR VOTRE BUT. LES REJETS DE GARANTIES TACITES, Y COMPRIS, SANS TOUTEFOIS S'Y LIMITER, LES GARANTIES TACITES DE QUALITÉ MARCHANDE ET D'ADÉQUATION À UN BUT PARTICULIER, N'ENTRERONT PAS EN VIGUEUR AVANT LA FIN DE LA PÉRIODE DE GARANTIE. Aucun employé, agent, distributeur ou autre personne n'est autorisé à altérer la présente garantie limitée ou à offrir une quelconque autre garantie au nom d'etc. Les dispositions de la présente garantie limitée ne peuvent être modifiées ni par ETC, ni par le propriétaire original, ni par leurs successeurs ou ayants droit respectifs.

### Limitation de responsabilité

DANS LA MESURE AUTORISÉE PAR LA LOI, ETC NE SAURAIT EN AUCUN CAS ÊTRE RESPONSABLE DE QUELCONQUES DOMMAGES ACCESSOIRES, SPÉCIAUX, INDIRECTS OU SECONDAIRES, Y COMPRIS UNE QUELCONQUE PERTE MONÉTAIRE, QUE CE SOIT EN CONSÉQUENCE D'UNE IMPOSSIBILITÉ DE FAIRE FONCTIONNER OU D'UTILISER LE PRODUIT WORKSHOP, D'UNE UTILISATION INAPPROPRIÉE, DE L'INCAPACITÉ D'UTILISER LE PRODUIT WORKSHOP OU DE FAUTE DE LA PART D'ETC. ETC NE SERAIT ÊTRE RESPONSABLE DE PRÉJUDICES CAUSÉS PAR UN RETARD D'EXÉCUTION ET, EN AUCUN CAS, QUELLE QUE SOIT LA FORME DE LA REVENDICATION OU LA CAUSE DE L'ACTION (QU'ELLE SOIT DE NATURE CONTRACTUELLE OU QU'ELLE RÉSULTE D'UNE VIOLATION, D'UNE CONTREFAÇON, D'UNE FAUTE, D'UNE NÉGLIGENCE, D'UN CAS DE RESPONSABILITÉ SANS FAUTE OU QU'ELLE AIT UNE AUTRE BASE DÉLICTUELLE OU QUASI-DÉLICTUELLE), LA RESPONSABILITÉ D'ETC ENVERS VOUS OU TOUTE PERSONNE UTILISANT LE PRODUIT WORKSHOP NE SAURAIT DÉPASSER LE PRIX PAYÉ PAR LE PROPRIÉTAIRE ORIGINAL POUR LE PRODUIT WORKSHOP. L'expression « dommages indirects » inclura notamment, sans toutefois s'y limiter, la perte de bénéfices attendus, l'interruption des affaires, la perte d'utilisation ou de revenus, le coût du capital ou la destruction ou l'endommagement de biens ou équipements.

Étant donné que certains États ou certaines provinces ne permettent pas l'exclusion ou la limitation de dommages indirects ou secondaires, il est possible que la limitation ci-dessus ne s'applique pas à vous.

La présente garantie limitée vous confère des droits légaux particuliers, et il est possible que vous bénéficiez d'autres droits qui varient d'un État à l'autre ou d'une province à l'autre.



**THIS PAGE INTENTIONALLY LEFT BLANK**





**THIS PAGE INTENTIONALLY LEFT BLANK**





**EMERSON™**  
**Commercial & Residential Solutions**

© 2013 Emerson

Part No. SP6848

Form No. SP6848-2

Printed in Mexico 07/13

