



## 6ft. Porch Swing

(PS70U Unassembled Kit)

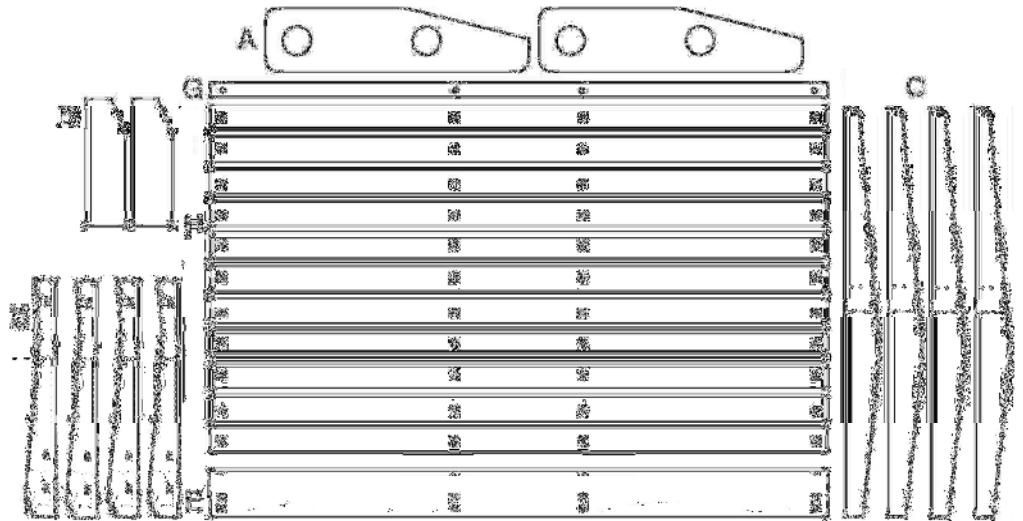
Tools Needed: #2 Philips or Robertson screwdriver, wood glue and a 1/2 wrench.

### Package Contents:

- (A) Arms...2
- (B) Arm Supports...2
- (C) Back Posts...4
- (D) Seat Supports...4
- (E) Front Rail...1
- (F) Seat Slats...12
- (G) Narrow Top Slat...1

### Hardware

- 2 1/2" screw...8
- 1 3/4" screw...60
- Carriage bolt...2
- Lag Screw...4
- Eye bolt...4
- Washer...10
- Hex Nut...6
- Quick Link...6
- Chain... (4 pcs)
- 3/8" Spacer... 2



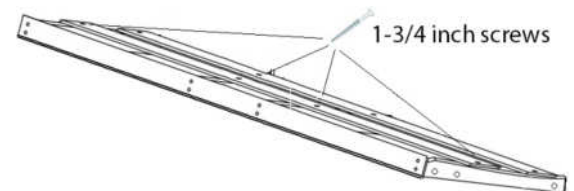
### STEP 1. Build Frame

- Make Front Rail (E) flush with bottom of Seat Supports (D).
- Allow rail to overhang at top, and attach using 1 3/4 inch screws. ( keep screw holes offset to bottom of rail )



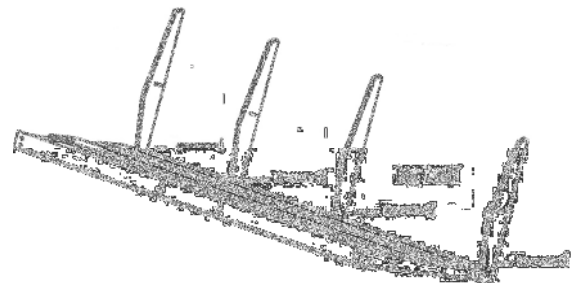
### STEP 2. Attach Seat Slats

- Beginning from front of seat use the 3/8 inch spacer to lay out 6 seat slats across the seat supports and attach using 1 3/4 inch screws.



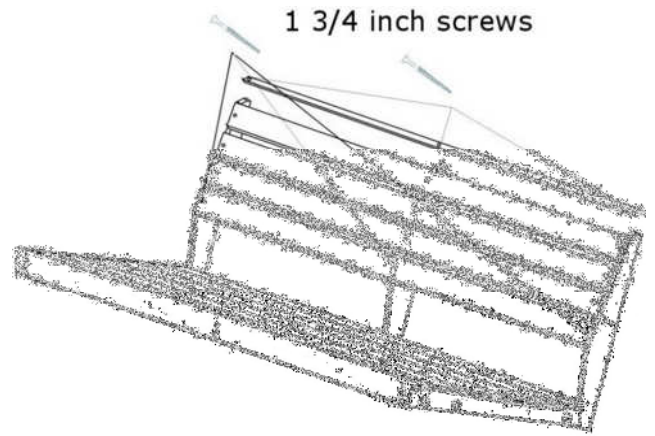
### STEP 3. Attach Posts

- Attach the 4 Back Posts (C) to the seat supports using lag screws and washers.



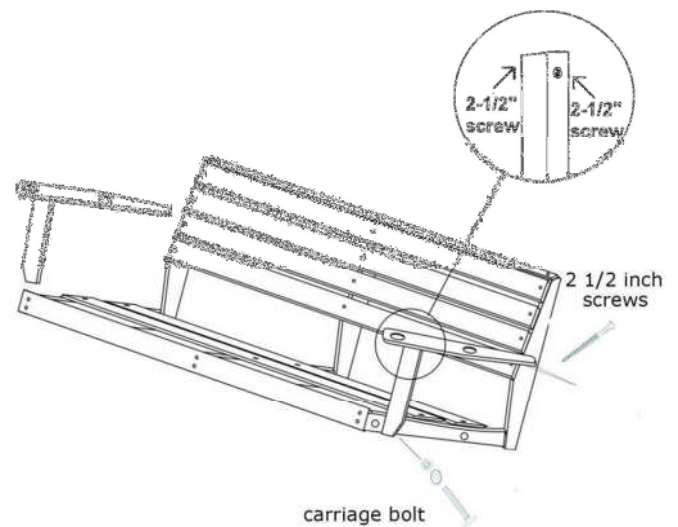
## STEP 4. Attach Back Slats

- Tip the swing so that it is resting on the 4 Back Posts and attach the **narrow top slat (G)** along the top of the swing.
- Using the 3/8" spacer evenly space and attach the remaining 6 slats to the back posts starting from top slat down.



## STEP 5. Attach Arms

- Mount Arm Supports to side of the Swing using Carriage Bolts.
- Set front of arm over arm support and align rear arm with pre-drilled holes in back post - make arm flush with back post and attach arm using 2-1/2 inch screws.
- Make inside of arm flush with arm support and attach arm to arm support using 2-1/2 inch screws. (glue is optional here)



## STEP 6. Hardware Placement

NOTE: If you hanging distance is higher than 8 ft. you may require additional chain.

- Use washers and hex nuts to install Eye-Bolts to the pre-drilled holes located on each side of the swing.
- Use a quick link to attach 2 pieces of chain to each side of your roof beam or A-Frame. ( space 60 inches apart)
- Insert the free ends of the chain through the guide holes on the arm and attach to each eyebolt using quick-links.
- (note: a hammer may be needed to tap quick-link onto eyebolt)
- To create a gentle incline raise the front of the swing by a link or two.
- Your swing is ready for use.

