

Ipogeo floor

design

Joe Wentworth
2008

Artemide[®]
www.artemide.net

Awards

Reddot Design Award - Honorable Mention
2009 - Essen (Deutschland)

Light emission



Floor standing luminaire for adjustable direct halogen lighting.

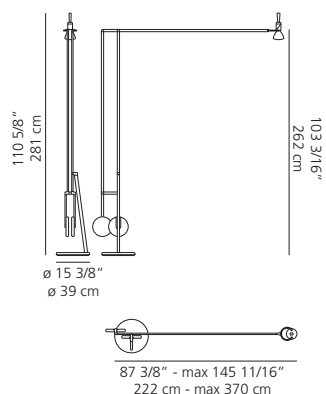
Materials: iron and aluminum base; painted extruded aluminum adjustable arms; die-cast aluminum joints; painted iron counterweights

Lampadaire à éclairage direct halogène ajustable.

Luminaria de pie para iluminación halógena directa ajustable.

Matériaux: base en fer et aluminium; bras en aluminium extrudé verni; articulations en aluminium moulé sous pression; contrepoids en fer vernis

Materiales: pie de hierro y aluminio; brazos orientables de aluminio extruído pintado; articulaciones de aluminio fundido a presión; contrapesos de hierro pintado



Ipogeo floor

halogen source

- 1 x 150W (E26/T10 Dbl. Env.)

IP20 □ F PG + Dimmer

