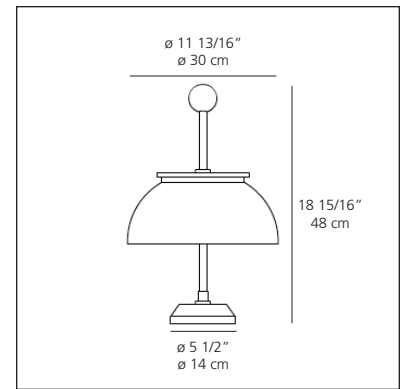


Alfa table

Sergio Mazza

The first Artemide table lamp, designed by Sergio Mazza in 1959, is being reintroduced on the US market in 2010. Table standing luminaire for diffused incandescent lighting.

- diffuser in crystal glass
- hand turned metal structure in nickel-plate
- base in black marble



Alfa table

incandescent source

- 2 x 40W (E12/G16 $\frac{1}{2}$).....

Artemide
modern classic

