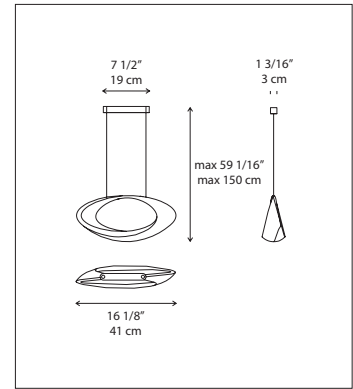


Cabildo suspension

Eric Solé 2008

Cable suspended luminaire for indirect and diffused halogen lighting.

- body structure in die-cast aluminum in painted white finish
- specular aluminum reflector and lamp concealed in the inner curve of the structure
- lamp shielded by frosted glass guard
- canopy in white molded thermoplastic with clear electrical cords and stainless steel cable
- mounting to standard electrical junction boxes



Cabildo suspension

halogen source

- 1x300W (R7S/T3) supplied.....