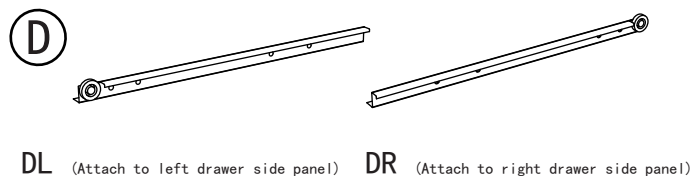
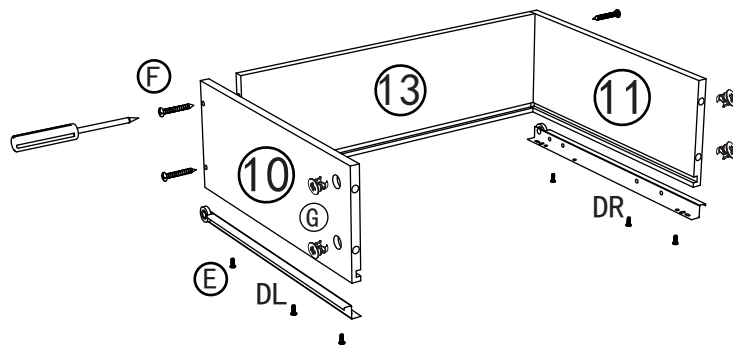


## step11

1. Fasten Drawer Side Panels(10) and (11) to Drawer Back Panel (13) using Long Screws (F) as shown.

2. Attach Drawer Camlocks (G) to Drawers Side Panels(10) and (11).

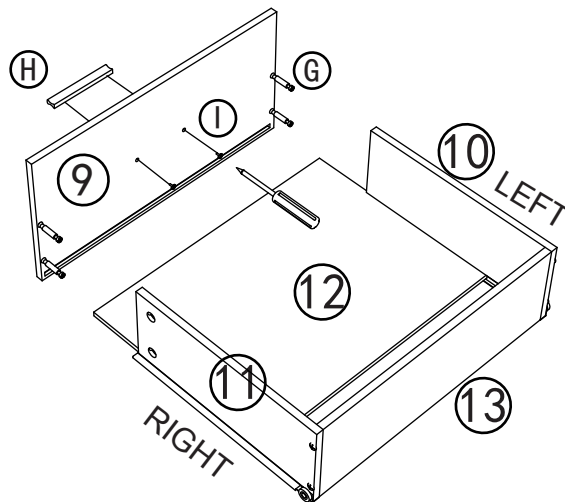


## step12

1. Slide Drawer Bottom Panel (12) into slots in Side Panel (10) and (11).

2. Attach Drawer Cambolts (G) and Handle (H) to the Drawer Front Panel (9).

3. Attach Drawer Front Panel (9) to assembly, Making sure Bottom Panel slides into slot and gently tighten camlocks.



## step13

1. Carefully slide Drawers into unit and enjoy your quality piece of furniture.

