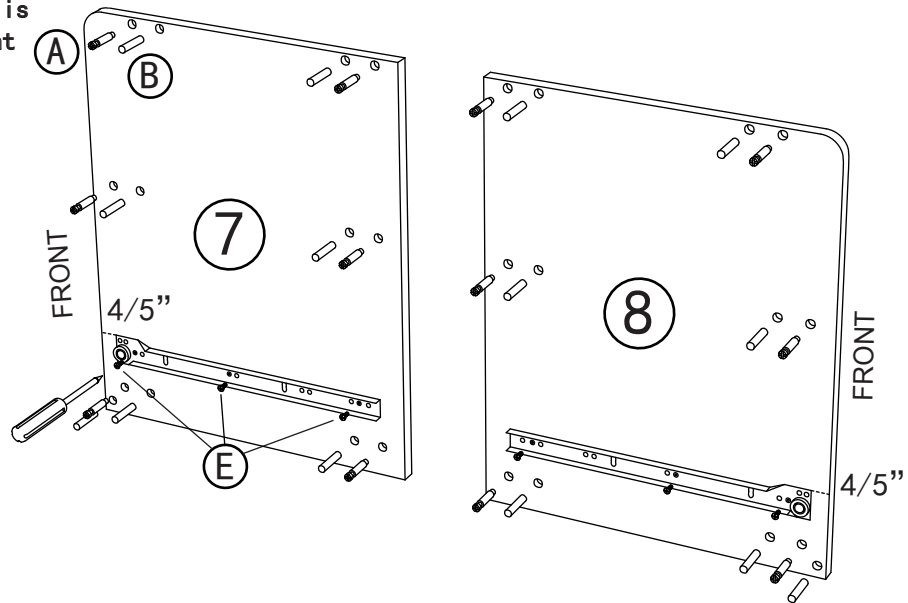
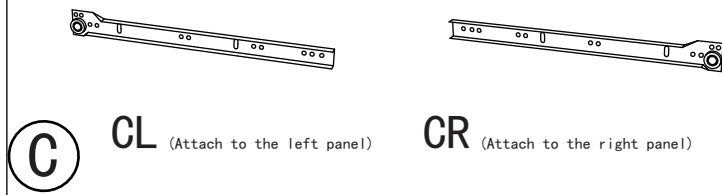


step10

1. Attach cambolts (A) and wooden dowels (B) to Side panel (7) and (8).
2. Fasten Cabinet Slide Rails (C) to Side panel (7) and (8) using Screws (E).

(Make sure the head of Slide Rails is 4/5" from front edge of panels.)



step11

1. Connect the Side panels (7) and (8) to the assembly. (Make sure all the Camlocks face bolt holes before assemble and all Slide Rails should on the same level.)
2. Gently tighten camlocks.
3. Turn unit over carefully.

