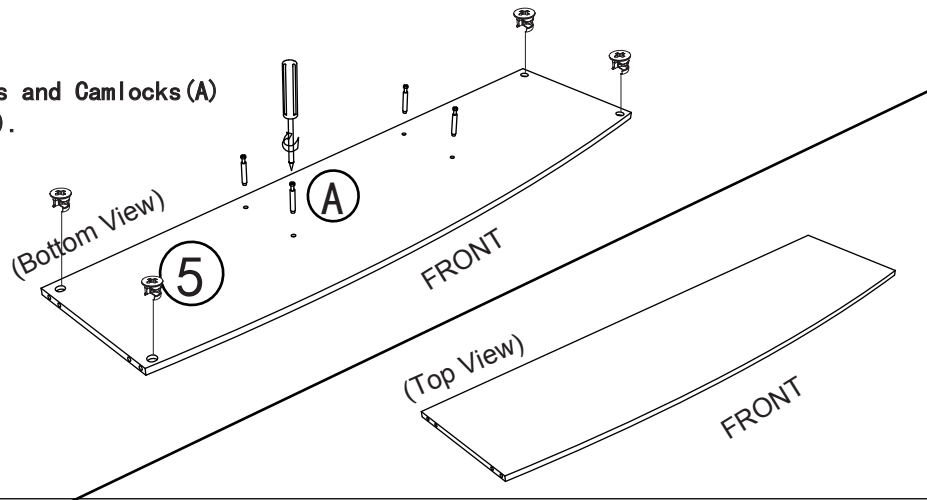


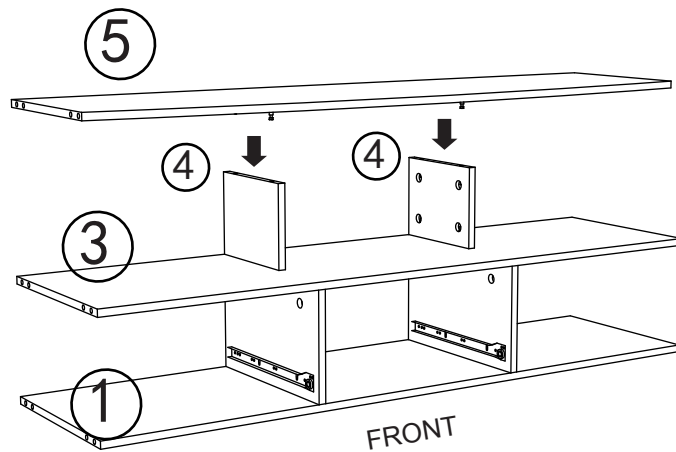
step7

Attach Cambolts and Camlocks (A) to Top Panel (5).



step8

1. Connect Top Panel (5) to Small Divider Panels (4).
2. Gently tighten camlocks.



step9

1. Using two people, turn unit upside down carefully.
- 2 Attach Cambolts (A) to Bottom Panel (1) and Camlocks (A) to Foot Panel (6).
- 3 Connect Foot Panel (6) to Bottom Panel (1). Gently tighten camlocks.

