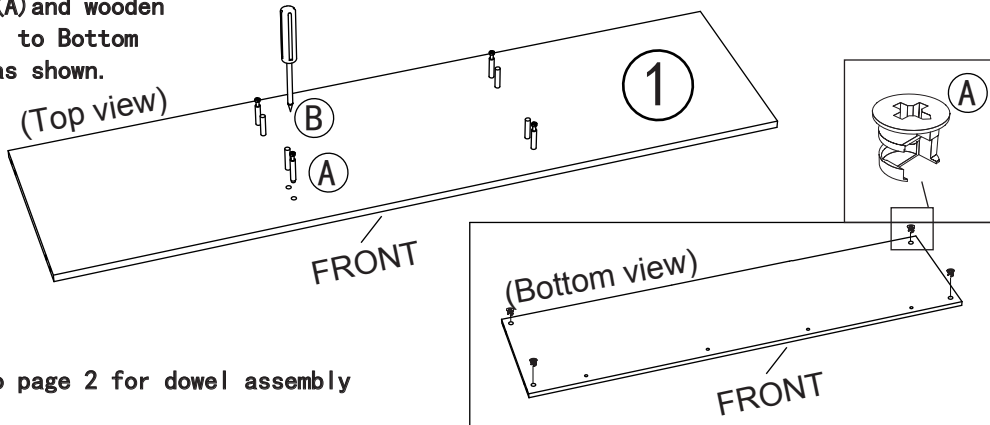


step1

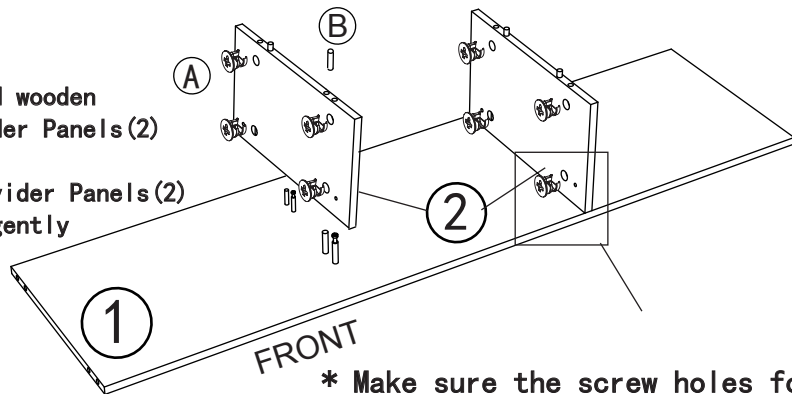
Attach cambolts and camlocks (A) and wooden dowels (B) to Bottom Panel (1) as shown.



*Refer to page 2 for dowel assembly

step2

1. Attach camlocks (A) and wooden dowels (B) to Large Divider Panels (2) as shown.
2. Connect both large Divider Panels (2) to Bottom Panel (1) and gently tighten camlocks.



* Make sure the screw holes for slide rail are on the bottom of the Panel (2). Camlock side faces left.

step3

1. Fasten Cabinet Slide Rails (C) to large Divider Panels (2) using Slide Rail Screws (E). (Make sure the head of Slide Rails is 4/5" from front edge of panel.)

