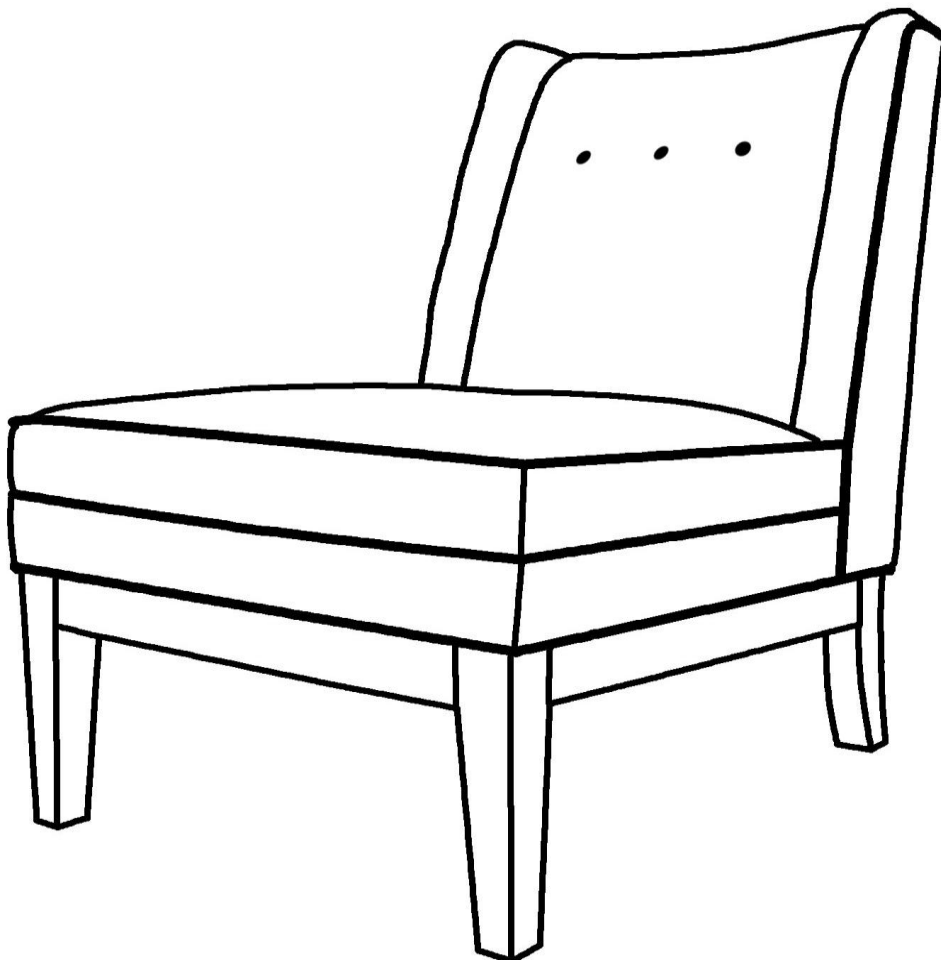







Assembly Instruction

Alexander Chair





TOV-A39



Parts List

Label	Picture	Description	QTY
A		Chair	1
B		Front Leg	2
C		Back Leg	2

Hardware

Label	Picture	Description	QTY
E		Metal Gasket	8
F		Spring Washer	8
G		Screw	8
H		Wrench	1

Assembly Preparation

Before Beginning Assembly:



- Read instructions, cover to cover-



- Have 2 adults on hand for assembly-



- Do not assemble on flooring or carpet-



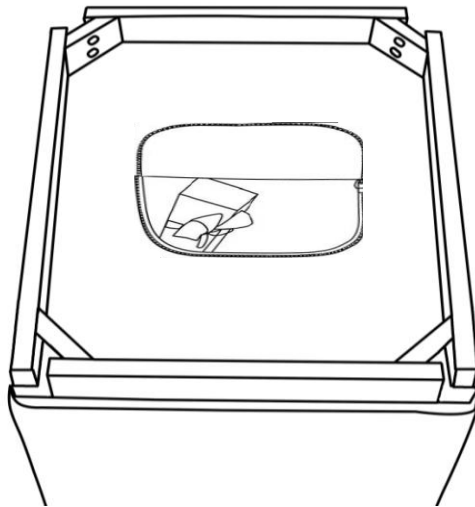
- Assemble on a clean non-marring surface (packing foam)-



- Save all packaging until finished-

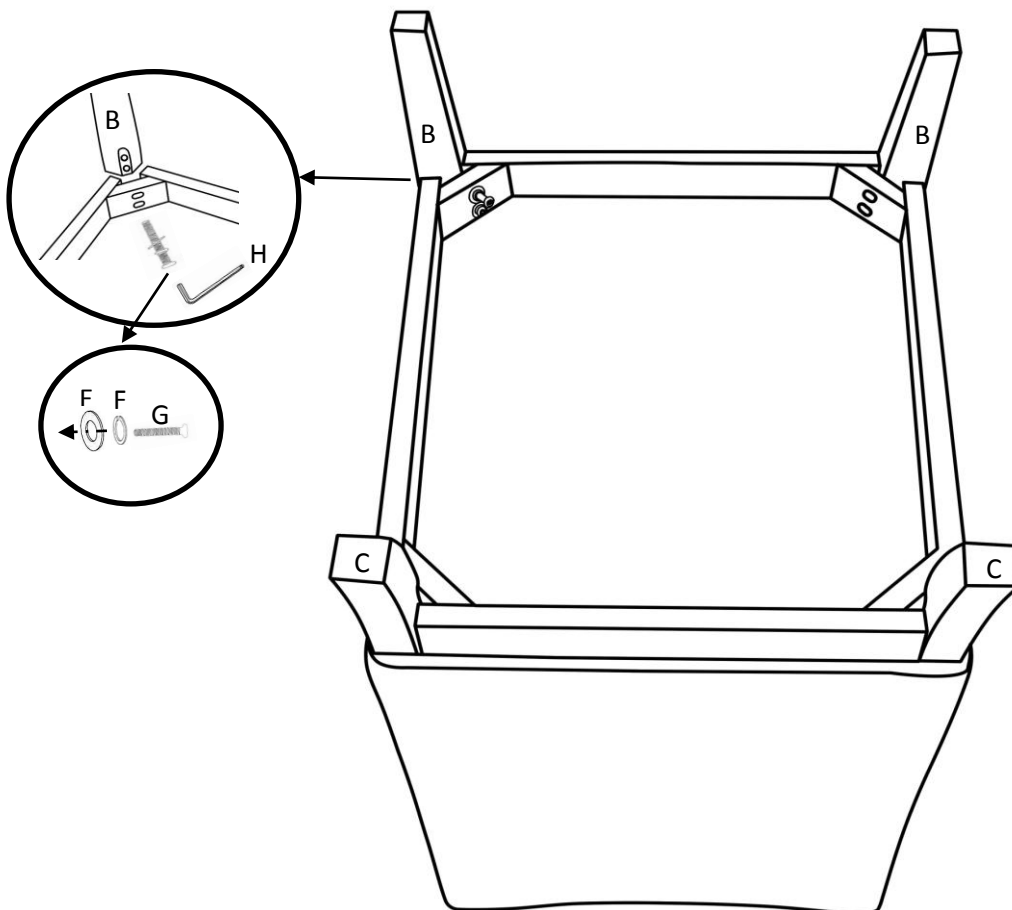
Assembly Steps

Step 1



Position the Chair on its bottom . as shown. Unzip to open and take the 4 Legs. Colsed the pocket.

Step 2



Care & Maintenance



- Do not put hot items directly on furniture surface.



- Do not clean furniture with harsh cleansers or polish.



- Do not place furniture under direct sunlight.



- Do not place furniture near heating or cooling vents.



- Do not write on furniture without a padded barrier to protect the surface.



- Do not place furniture outside. For indoor use only.



- Not for commercial use. For residential use only.



- Stains may be removed with mild soap solution and damp cloth.



- Dust and pick-up spills using a clean, non-colored, lint-free cloth.