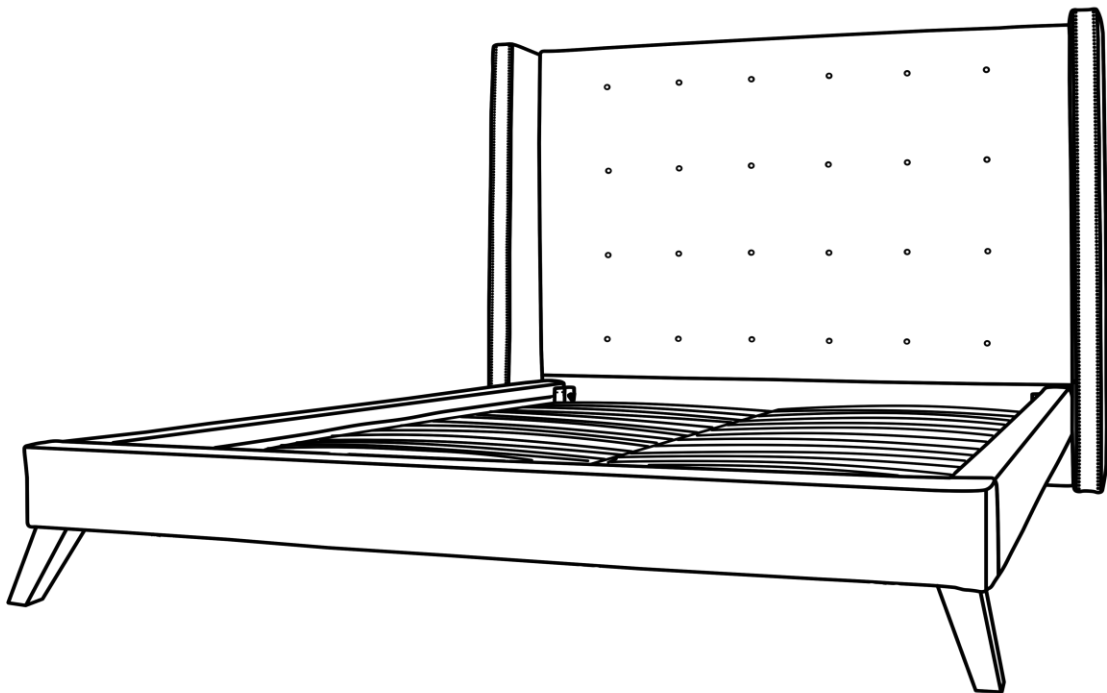


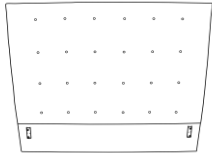
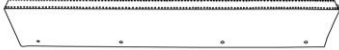
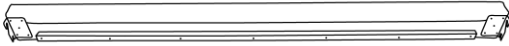



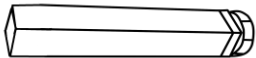
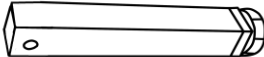


# Assembly Instruction







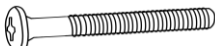



## **Greenpoint Bed** **TOV-B11**



## Parts List

Label	Picture	Description	QTY
A	 A trapezoidal headboard with a grid of 12 small square holes. It has two small rectangular tabs at the bottom corners.	Headboard	1
B	 A long, thin, rectangular ear piece with a slightly curved top edge and four small circular holes along the bottom edge.	Ear	2
C	 A long, thin, rectangular sideboard with a slightly curved top edge and two small rectangular tabs at the ends.	Sideboard	2
D	 A long, thin, rectangular footboard with a slightly curved top edge and two small rectangular tabs at the ends.	Footboard	1
E	 A rectangular keel frame with a series of parallel slats across its length and rounded corners.	Keel Frame	2
F	 A small, L-shaped footboard leg with a small protrusion at the top.	Footboard Leg	2
G	 A cylindrical keel frame side leg with a small protrusion at one end.	Keel Frame Side Leg	4
H	 A cylindrical keel frame middle leg with a small protrusion at one end.	Keel Frame Middle Leg	2

## Hardware

Label	Picture	Description	QTY
I		Ear Screw	8
J		Spring Washer	8
K		Metal Gasket	8
L		Wrench	1
M		Keel Frame Side Leg Screw	4
N		Fixed Clip	4
O		Keel Frame Middle Leg Screw	2
P		Keel Frame Middle Leg Screw	2
Q		Middle Leg Screw Nut	4
R		Wrench	1

## Assembly Preparation

Before Beginning Assembly:



- Read instructions, cover to cover-



- Have 2 adults on hand for assembly-



- Do not assemble on flooring or carpet-



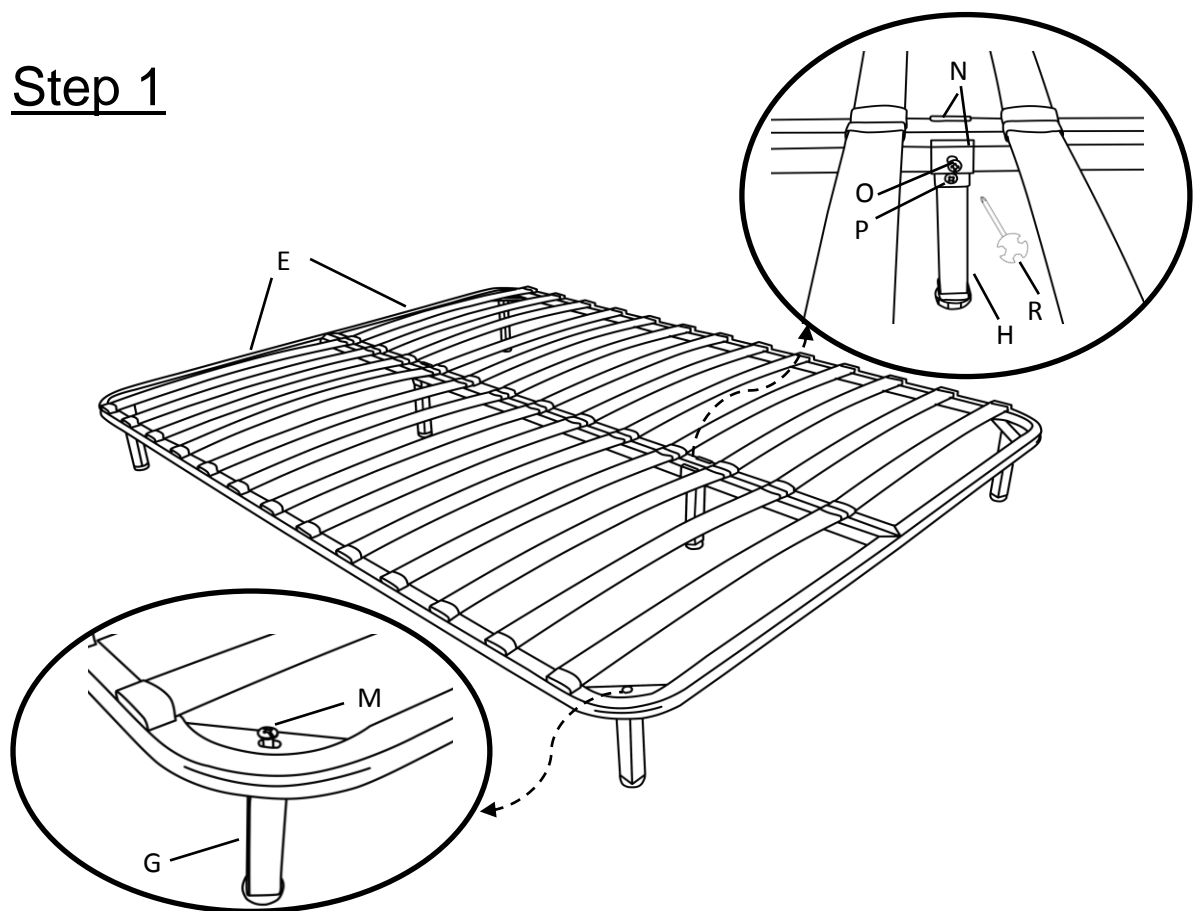
- Assemble on a clean non-marring surface (packing foam)-



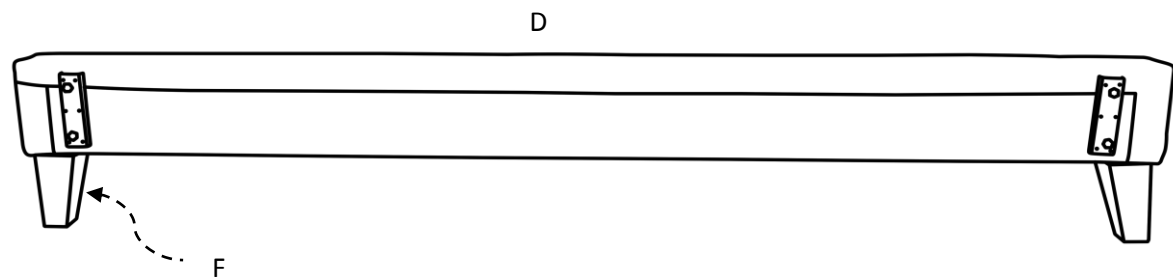
- Save all packaging until finished-

# Assembly Steps

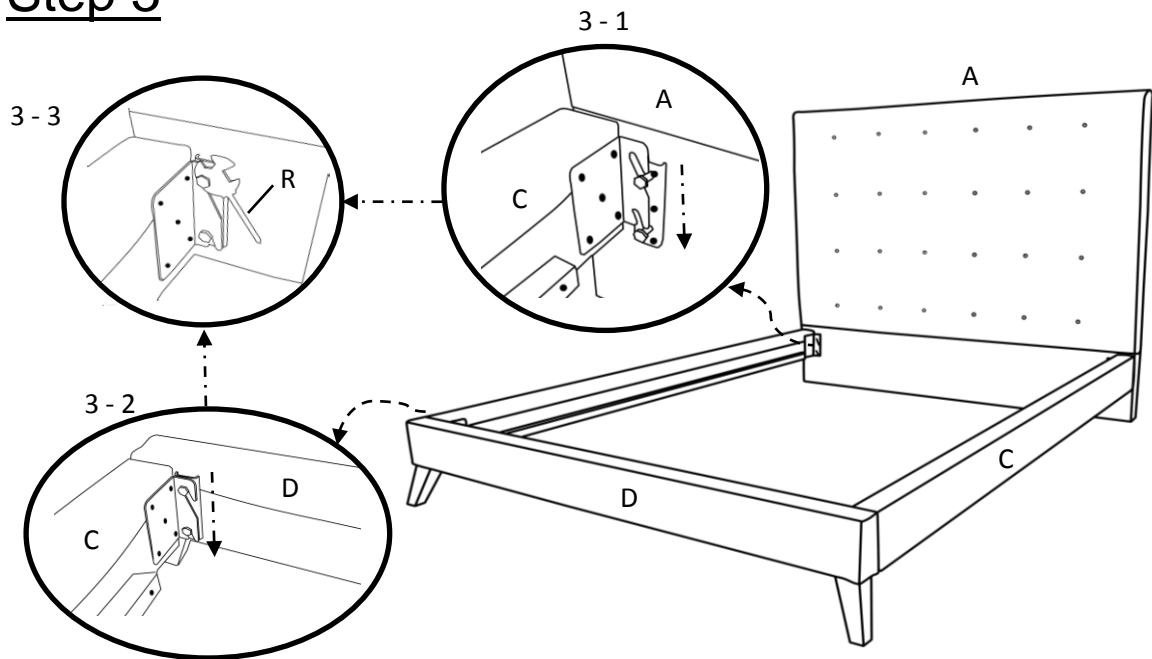
## Step 1



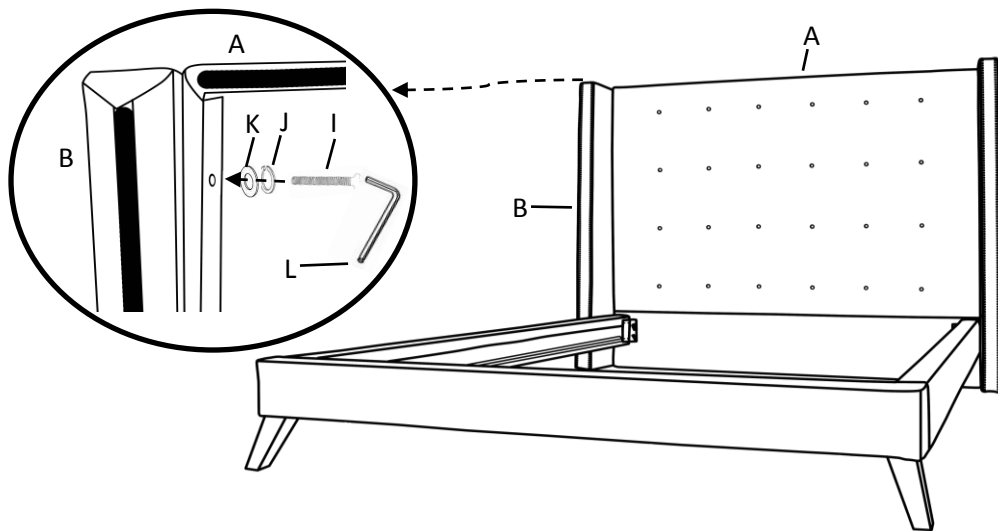
## Step 2



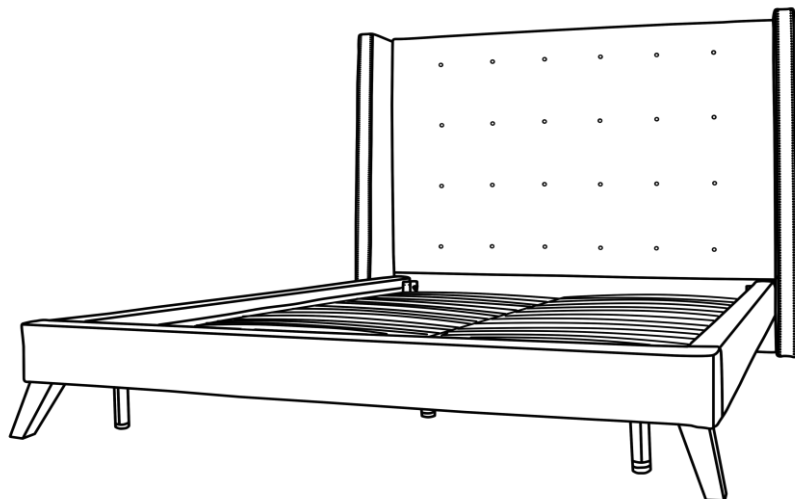
### Step 3



### Step 4



### Step 5



## Care & Maintenance



• Do not put hot items directly on furniture surface.



• Do not clean furniture with harsh cleansers or polish.



• Do not place furniture under direct sunlight.



• Do not place furniture near heating or cooling vents.



• Do not write on furniture without a padded barrier to protect the surface.



• Do not place furniture outside. For indoor use only.



• Not for commercial use. For residential use only.



• Stains may be removed with mild soap solution and damp cloth.



• Dust and pick-up spills using a clean, non-colored, lint-free cloth.