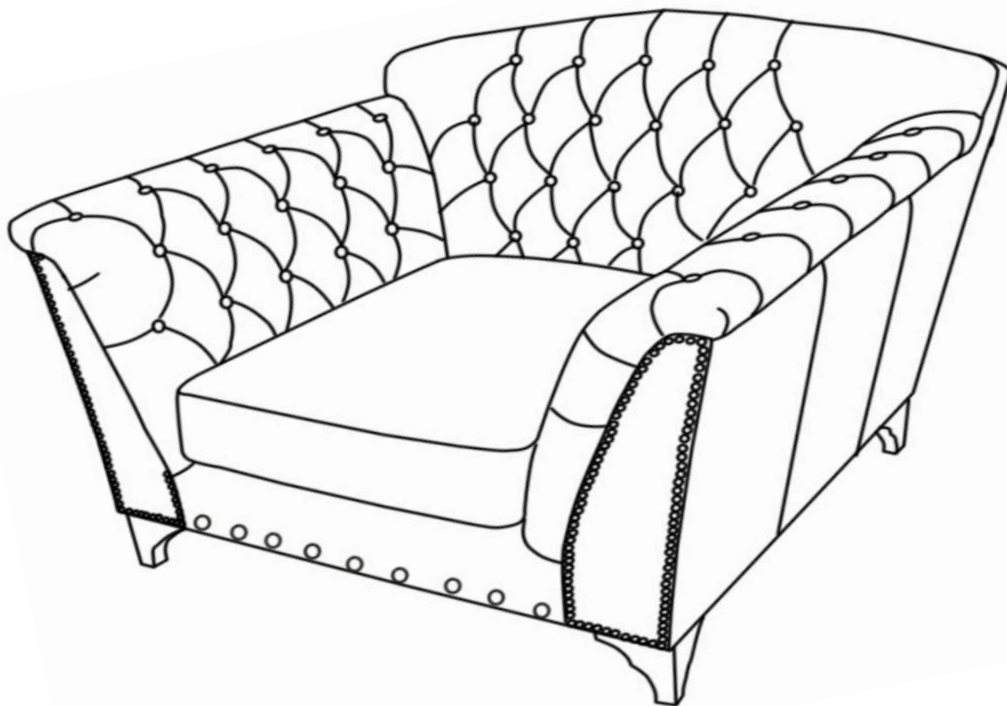






Assembly Instruction

Peacock Leather Club Chair




TOV-C37



Parts List

Label	Picture	Description	QTY
A		CHAIR	1
B		WOODEN LEG	4

Hardware

Label	Picture	Description	QTY
C		WASHER RING	7
D		SCREW	4
E		SCREWDRIVE R	1

Assembly Preparation

Before Beginning Assembly:



- Read instructions, cover to cover-



- Have 2 adults on hand for assembly-



- Do not assemble on flooring or carpet-



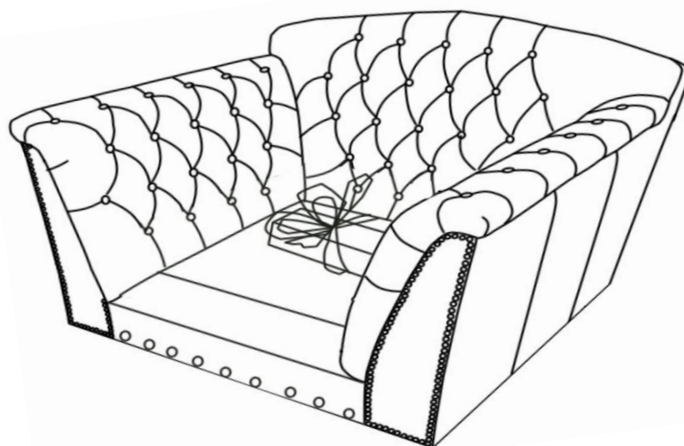
- Assemble on a clean non-marring surface (packing foam)-



- Save all packaging until finished-

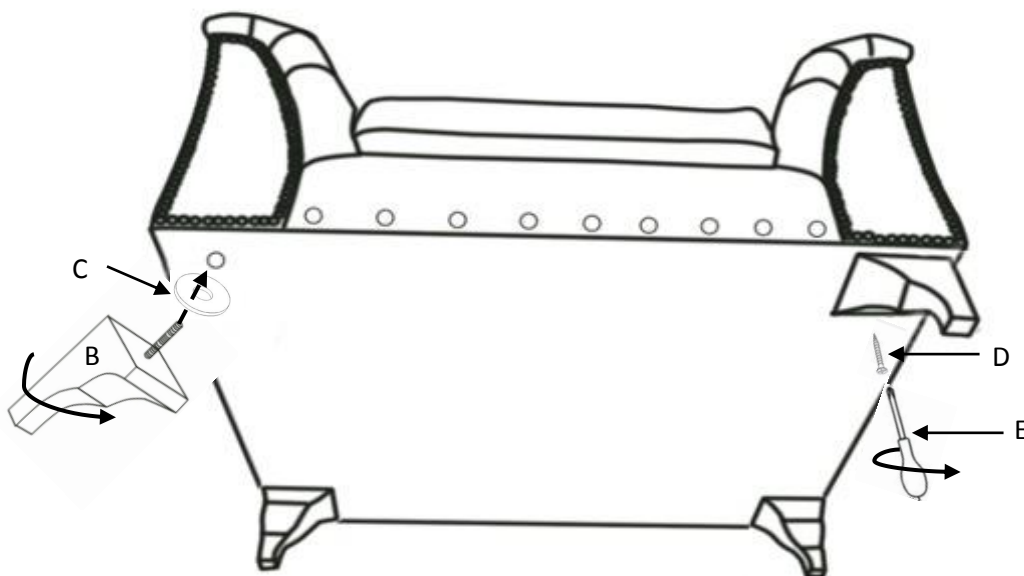
Assembly Steps

Step 1



Position the Chair on its front . as shown. Cushion move out then open to take the 4 Legs.

Step 2



Care & Maintenance



• Do not put hot items directly on furniture surface.



• Do not clean furniture with harsh cleansers or polish.



• Do not place furniture under direct sunlight.



• Do not place furniture near heating or cooling vents.



• Do not write on furniture without a padded barrier to protect the surface.



• Do not place furniture outside. For indoor use only.



• Not for commercial use. For residential use only.



• Stains may be removed with mild soap solution and damp cloth.



• Dust and pick-up spills using a clean, non-colored, lint-free cloth.