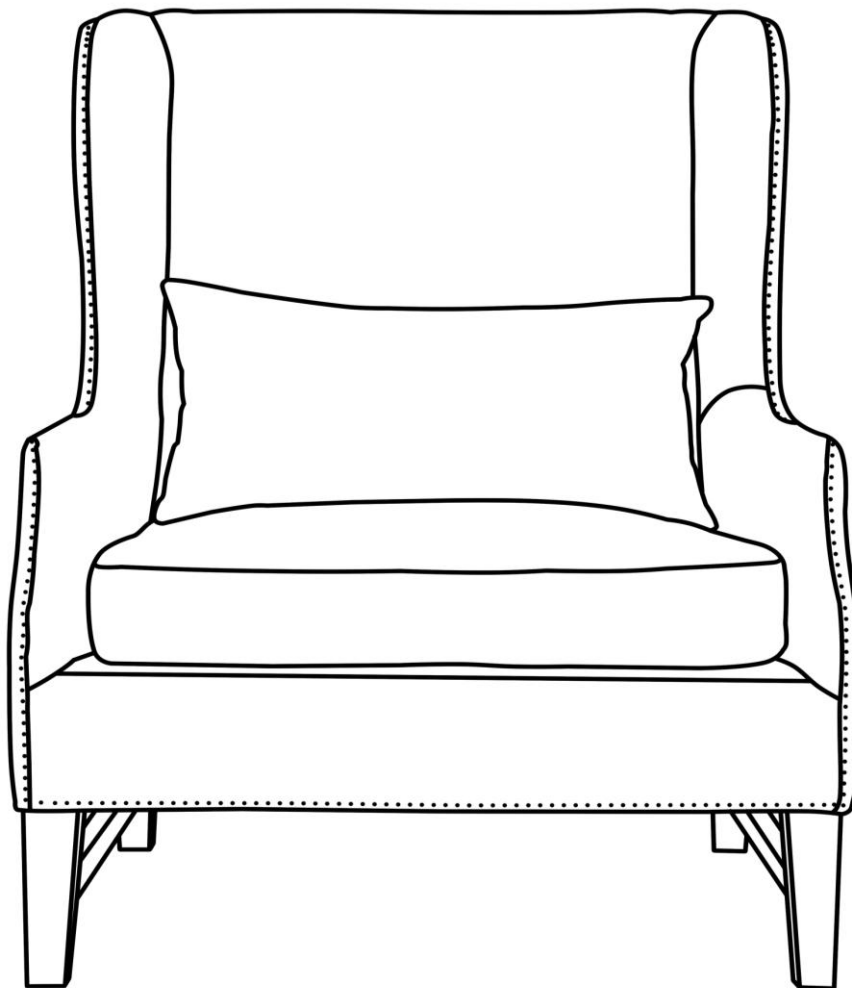




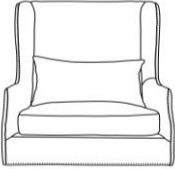


# Assembly Instruction

## **Devon Wing Chair**





**TOV-C36**



## Parts List

Label	Picture	Description	QTY
A		Chair	1
B		Left Leg	1
C		Right Leg	1

## Hardware

Label	Picture	Description	QTY
E		Metal Gasket	8
F		Spring Washer	8
G		Screw	8
H		Wrench	1

## Assembly Preparation

Before Beginning Assembly:



- Read instructions, cover to cover-



- Have 2 adults on hand for assembly-



- Do not assemble on flooring or carpet-



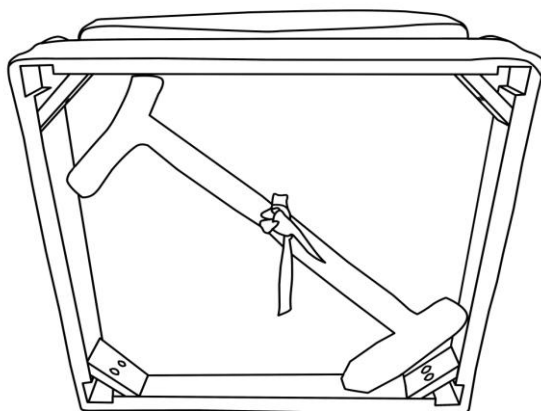
- Assemble on a clean non-marring surface (packing foam)-



- Save all packaging until finished-

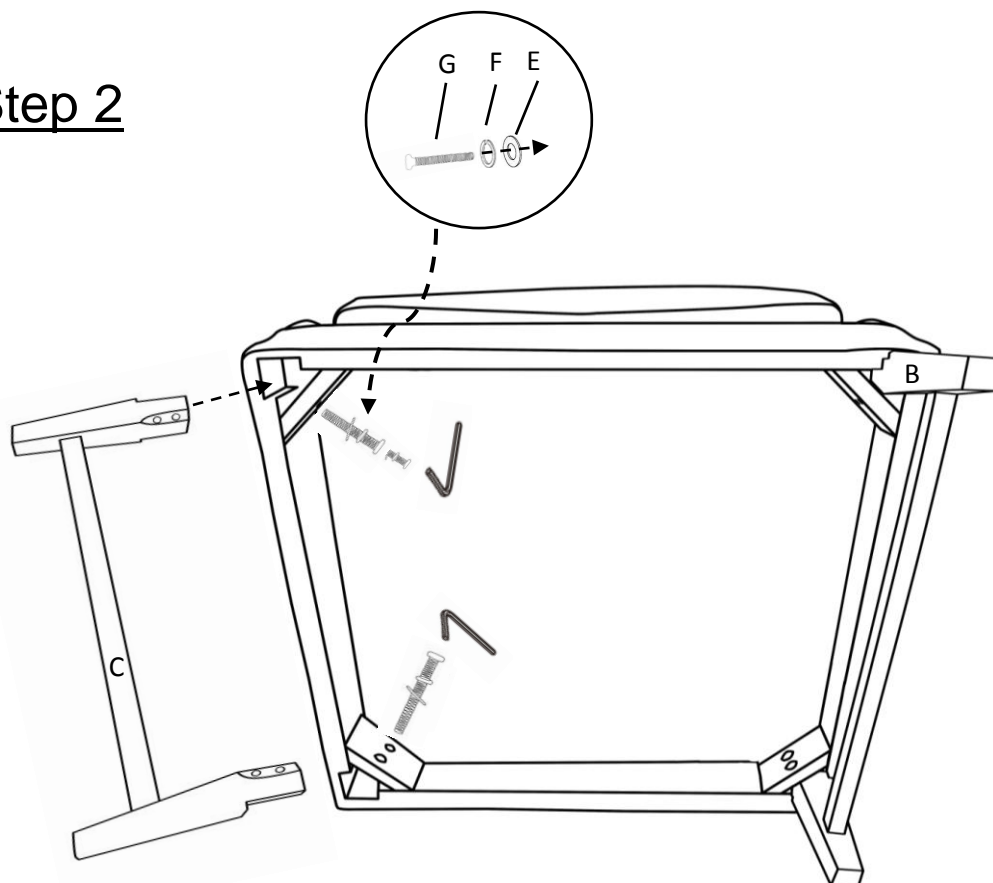
## Assembly Steps

### Step 1



Position the Chair on its bottom . as shown. Open to take the 2 Legs.

### Step 2



## Care & Maintenance



• Do not put hot items directly on furniture surface.



• Do not clean furniture with harsh cleansers or polish.



• Do not place furniture under direct sunlight.



• Do not place furniture near heating or cooling vents.



• Do not write on furniture without a padded barrier to protect the surface.



• Do not place furniture outside. For indoor use only.



• Not for commercial use. For residential use only.



• Stains may be removed with mild soap solution and damp cloth.



• Dust and pick-up spills using a clean, non-colored, lint-free cloth.