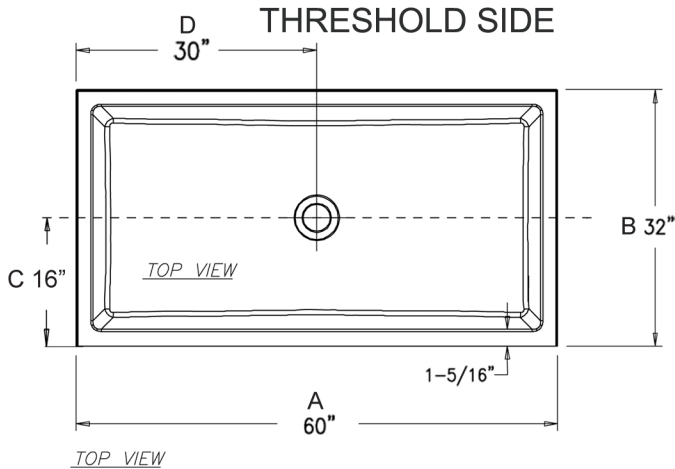




Installation Manual

**SINGLE THRESHOLD
SHOWER BASE**



* Add 1/8" for rough-in dimensions.

PRODUCT CHART (TRU-LEVEL™)

PRODUCT NAME.	MODEL NAME	DIMENSIONS			
		A	B	C	D
TOPAZE	60x32	60"	32"	16"	30"

Product specifications are subject to change without notice.
Use installation instructions provided with product.

NOTE: This is a professional grade product. A knowledge of construction techniques, plumbing and electrical installation according to codes are required for proper installation and user satisfaction. We recommend that a licensed contractor perform the installation of all JADE Bathroom products. Our warranty does not cover improper installation related problems.

4 EASY STEPS TO INSTALL YOUR NEW SHOWER BASE

STEP 1. If the subfloor is level, no other preparation is necessary. You can proceed to install the base. If the subfloor is not level, level shower base by spreading floor leveling compound, mortar, plaster or minimal expansion structural foam with a density of a minimum of 5 lbs./cubic ft. **EVENLY** over **ENTIRE** area where base will be installed. (See Figure 1.) **NOTE:** The compound used **MUST** make contact with the entire bottom surface of the base feet. The base is **NOT** to be supported by the base flange.

STEP 2. Position and install base on leveled surface over drain.

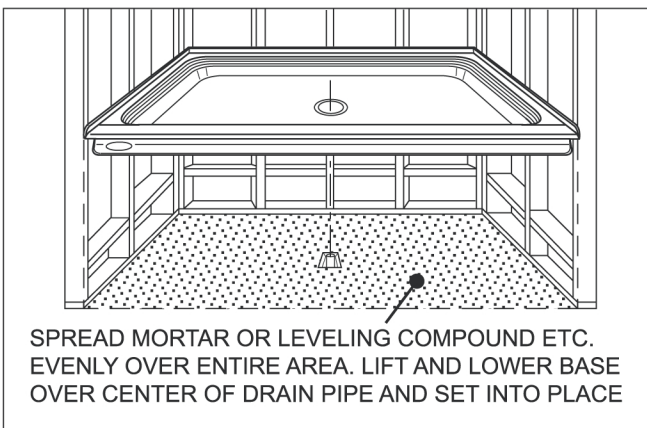


Figure 1

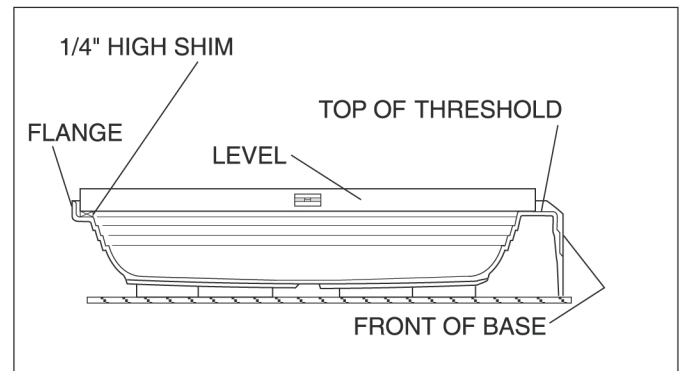


Figure 2A. FRONT TO BACK LEVELING



Installation Manual

SINGLE THRESHOLD
SHOWER BASE

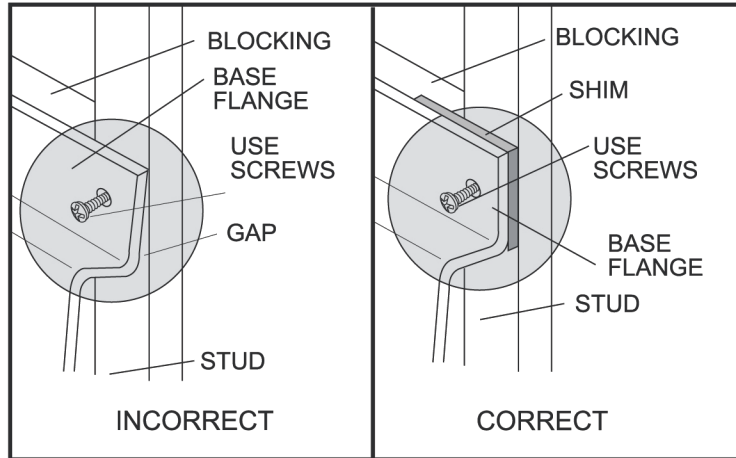


Figure 2B

IMPORTANT: IF THERE IS ANY GAP BETWEEN BASE FLANGE AND STUD OR BLOCKING, SHIMS MUST BE USED.

STEP 2. (Continued) Install your drain (NOT PROVIDED) at this time. Follow the directions that come with your drain kit.

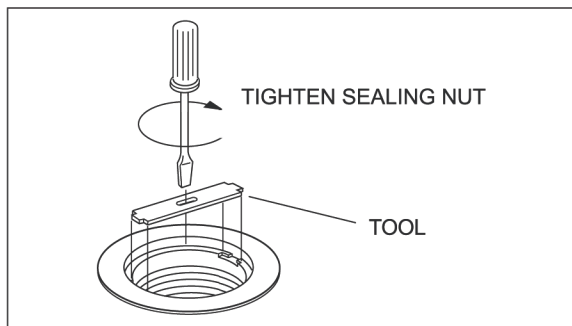


Figure 2C

STEP 3. Install cement board.

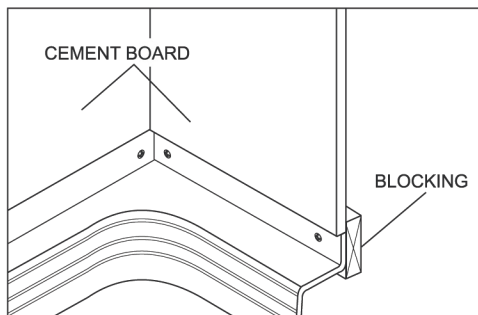


Figure 3



Installation Manual

SINGLE THRESHOLD SHOWER BASE

STEP 4. Install finishing materials and caulk base leaving 1/4" weep holes.

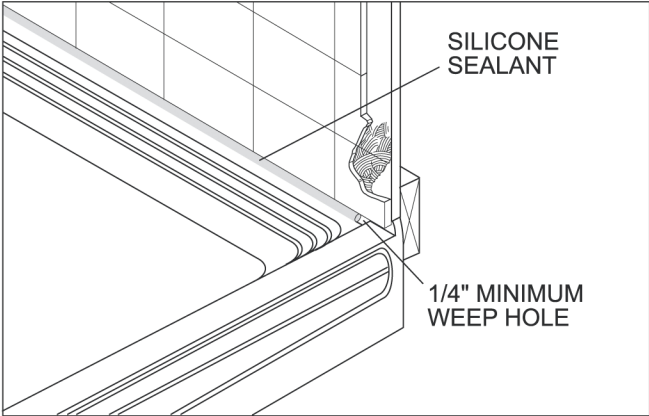


Figure 4A

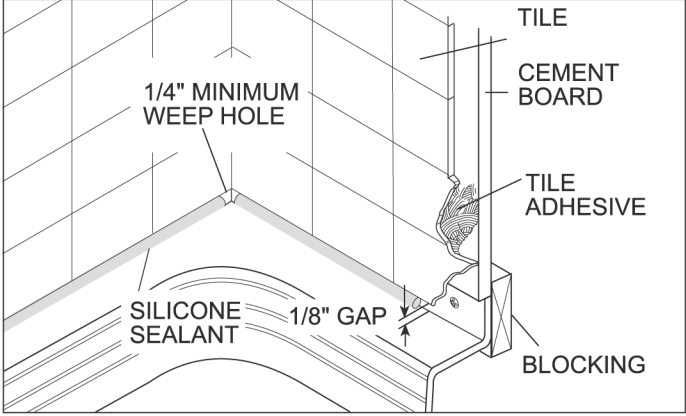


Figure 4B

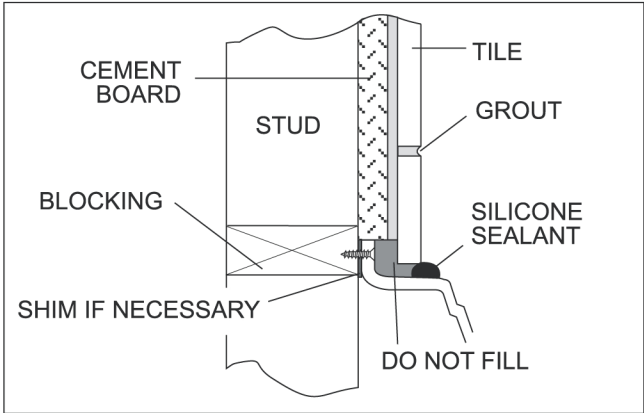


Figure 4C

Filling the area marked DO NOT FILL will prevent moisture from draining back into the base through the weep holes.

Installation Manual

SINGLE THRESHOLD
SHOWER BASE

Detailed Installations Instructions

Important: Read complete instructions before beginning installation.

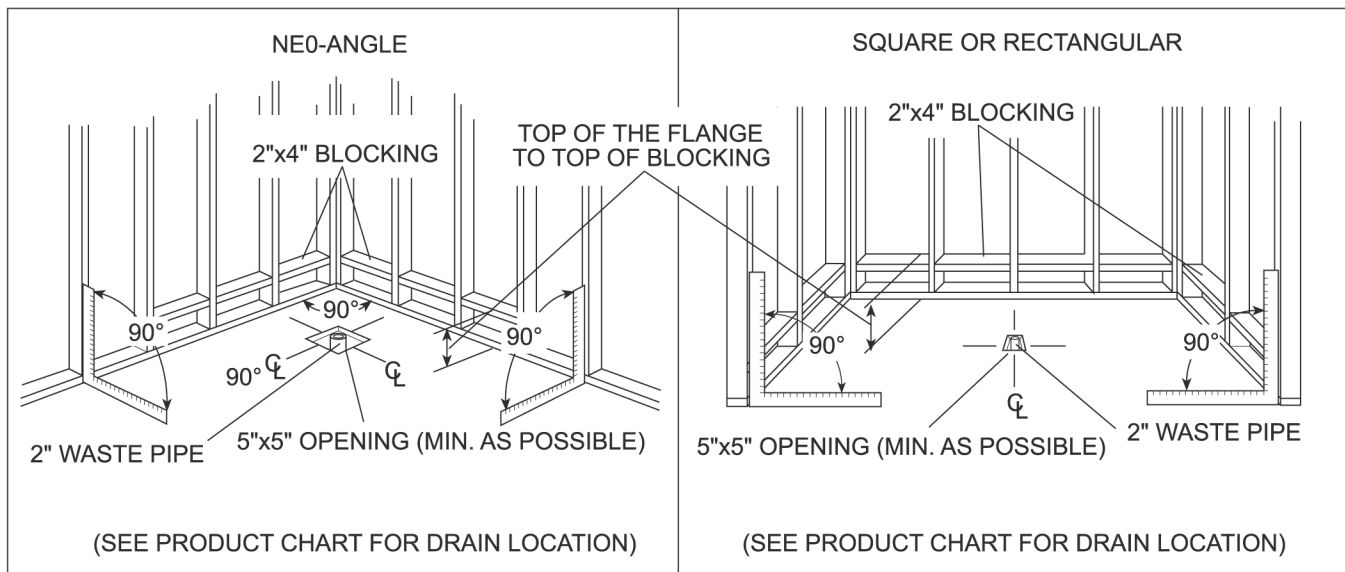
These shower bases are not provided with a shower drain. You must purchase a shower drain kit to properly complete this installation.

Remove the shower base from the carton. **Do not destroy the shipping carton until after satisfactory inspection of the product.**

Immediately upon receipt, inspect the base before installing. Should inspection reveal any damage or defect in the finish, do not install the base. Damage or defect to the finish claimed after the base is installed is excluded from the warranty. JADE Bathroom products responsibility for shipping damage ceases upon delivery of the products in good order to the carrier. Refer any claims for damage to the carrier. For definitions of warranty coverage and limitations, refer to the published warranty information packaged with the product. JADE Bathroom products is not responsible for any defect that could have been discovered, repaired, or avoided by following this inspection and testing procedure.

Plan the installation in relation to the finished wall surfaces. Take into account the dimensions of both the shower base and the shower door enclosure to be used with it. Install the optional trim parts when all other installation has been completed.

PRELIMINARY ROUGH-IN



Provide an opening in the subfloor no less than 5" x 5" square. This opening should be located on the center lines of the shower base drain hole (See Product Chart).

The opening is to accommodate a 2" waste pipe. The waste pipe should be 1/4" to 1/2" above the surface of the subfloor.

jade

Installation Manual

SINGLE THRESHOLD
SHOWER BASE

Install the drain (NOT PROVIDED). Follow the instructions provided with your drain kit.

The illustration to the right is for EXAMPLE only.

DETAILED INSTRUCTIONS

If the subfloor is level, no other preparation is necessary. You can proceed to install the base. If the subfloor is not level, level shower base by spreading floor leveling compound, mortar, plaster or minimal expansion structural foam having a density of a minimum of 5 lbs./cubic ft. **EVENLY** over **ENTIRE** area where base will be installed. (See Figure 1.) The compound used **MUST** make contact with the entire bottom surface of the base feet. The base is **NOT** to be supported by the base flange. Both sides of a joint or splice of sub-floor should be level to each other. Level and support waste pipe cutout area greater than 5" x 5".

STEP 2

With the drain fitting passing over the center of the drainpipe, lower the shower base carefully into place, push down firmly until the base is in place. You **must** check the level of the base in two directions. A 1/4" high shim is necessary at the back of the base for front to back leveling. (See Figure 2A.) Do not lift a corner to level the base. This will cause a loss of contact with the mortar. Attach the shower base flange to the stud wall and blocking with screws provided. Use a minimum of 3 screws per flange section.

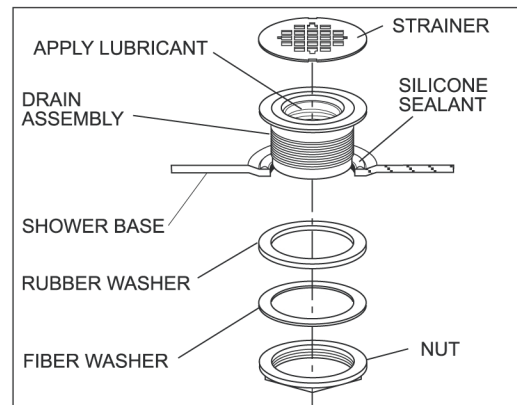
NOTE: If there is any gap between base flange and stud or blocking, shims MUST be used to prevent distortion or cracking of the flange. (See Figure 2B.)

Tighten the drain as directed by the instructions that came with the drain kit. (see Figure 2C for an EXAMPLE). After drain is fully installed, test for proper drainage. If the shower base does not drain properly, rectify this condition before proceeding with the installation.

JADE bathroom products is not responsible for removal and/ or reinstallation costs.

NOTE: Watertight installation of the drain is the installer's responsibility. Drain leakage is excluded from the JADE Bathroom products warranty.

Replace the strainer (if your drain kit came with one) and tape over the drain hole to prevent finishing material from entering drain.



STEP 3

Place cement board or equivalent on top of shower base flange and secure to studwall (see Figure 3).

STEP 4

Apply tile (or other finishing material) leaving a 1/8" gap between the finishing material and the shower base flange lip. Seal this gap with silicone sealant. Leave a minimum 1/4" weep hole at the back and front corners of the shower base (see Figures 4A and 4B). The weep holes are necessary to allow drainage from leakage through unsealed tiled grout.

Filling the area marked **DO NOT FILL** will prevent moisture from draining back into the base through the weep holes (see Figure 4C). This moisture is due to leakage through the tile grout. Sealing the tile grout will prevent this leakage.

Clean-Up After Installation

To avoid dulling and scratching the acrylic surface of the base, never use abrasive cleaners. A mild liquid detergent and warm water clean soiled surfaces.

Remove spilled plaster with a wood or plastic edge. Metal tools scratch the surface. Spots left by plaster or grout can be removed if lightly rubbed with detergent on a damp cloth or sponge.

Paint, tar, or other difficult stains can be removed with paint thinner, turpentine, or isopropyl alcohol (rubbing alcohol).

Minor scratches which do not penetrate the color finish can be removed by lightly sanding with 600-grit wet/dry sandpaper. You can restore the glossy finish to the acrylic surface of the base with a special compound, Meguiar's #10 Mirror Glaze. If not available, use automotive rubbing compound followed by an application of automotive paste wax.

Major scratches and gouges which penetrate the acrylic surface require refinishing.



DO NOT RETURN THIS PRODUCT TO THE STORE
NE PAS RETOURNER CE PRODUIT AU MAGASIN

Please contact Jade before returning any product. If you are missing parts or experiencing problems with your installation, our Customer Service Department will be happy to assist you.

S'il vous plaît contactez Jade avant de retourner tout produit. Si vous manquez des pièces ou avez des problèmes avec votre installation, notre Service à la Clientèle sera heureux de vous aider.

Jade Customer Service.
Service à la Clientèle.

Tel: **1-866-333-0555**
E-mail: sales@jadebath.com