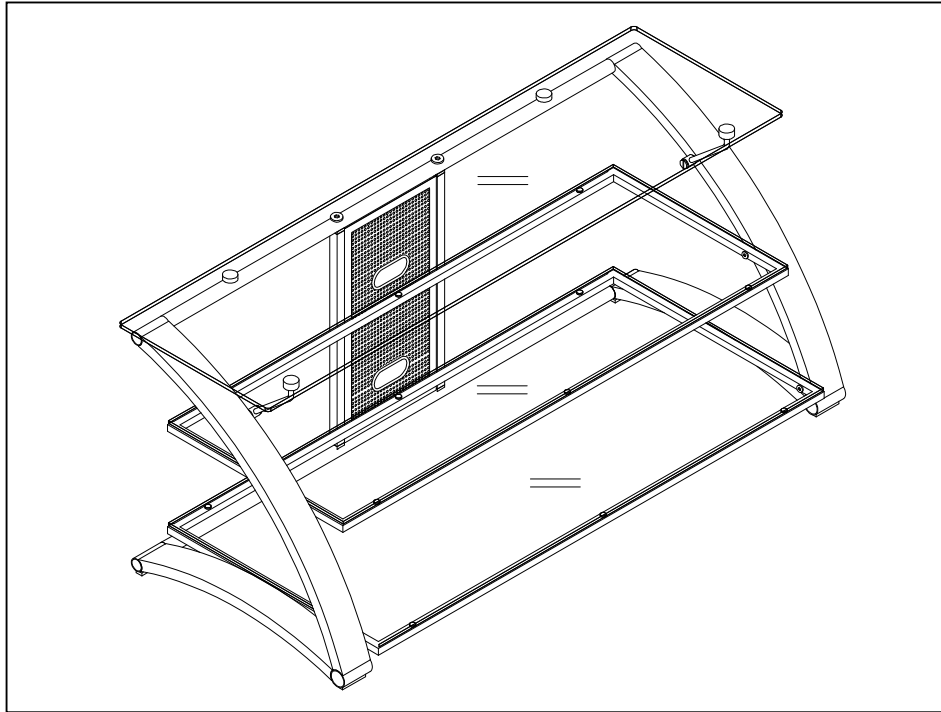




## Vitoria 55"W TV Stand

**ZLN # ZL564-55SU**



**DO NOT return to the store if parts are missing or damaged.**

For Parts Replacements and Inquiries, please call us Toll-Free 1-888-736-2141 or E-mail  
[CustomerService@Z-LineDesigns.com](mailto:CustomerService@Z-LineDesigns.com)

To ensure a timely delivery, please include the following:

1. Full Name
2. Physical Address (Our primary carrier, FedEx, will NOT deliver to P.O. Boxes)
3. Phone Number
4. QC Number: SW \_\_\_\_\_
5. ZLN Number: ZL564-55SU
6. Part Number(s) or Letter(s)
7. Quantity
8. We also request that you please provide a brief description of the reason for your request.

**Our Customer Service Representatives will be available to assist you Monday – Friday 7:00 am to 3:30 pm  
Pacific Standard Time (Except Holidays).**

091808

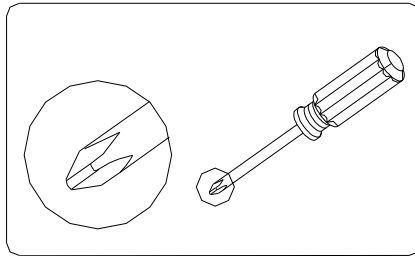
## ***Important***

### **Estimated Assembly Time: 40 Min**

⚠ ONLY ONE PERSON IS NECESSARY FOR THE ASSEMBLY OF THIS PRODUCT, HOWEVER ONE OR MORE STEP MAY NEED A SECOND PERSON TO ASSIST.

---

**Before you begin:** Lay out all of the parts on a non-abrasive surface in order to identify and count prior to assembly. You will need the parts and hardware listed on pages 3 & 4 of this instruction manual as well as the tool shown below to assemble this unit.





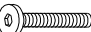
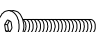



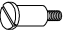






PHILLIPS HEAD SCREWDRIVER

---

**NOW YOU ARE READY TO BEGIN ACTUAL ASSEMBLY!**





**WARNING – Failure to follow these installation instructions or any other abuse, mistreatment, unreasonable use or neglect of the product shall constitute a waiver of all warranties, expressed and implied, and constitute a waiver of all claims of liability against Z-Lines Designs, Inc., its directors, officers, shareholders, parents, subsidiaries, affiliates, agents, customers and licensors, for any direct, indirect, special (including loss of revenue or income, pain and suffering, emotional distress, or similar damages), incidental, punitive, or consequential damages arising out of or resulting from the improper installation, abuse, mistreatment, unreasonable use or neglect regardless of whether such damages arise in contract, tort, under statute, in equity, at law, or otherwise.**

## HARDWARE IDENTIFICATION

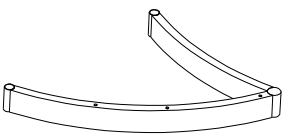
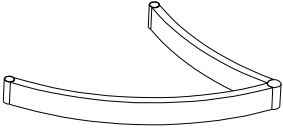
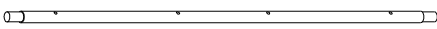

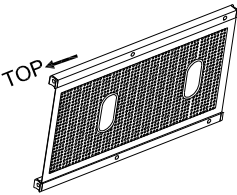
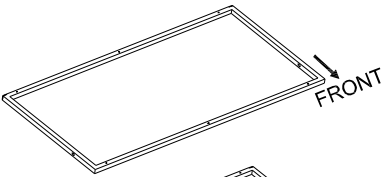
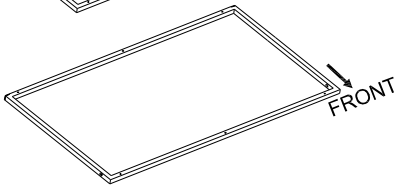
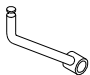
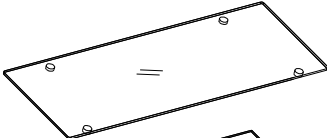
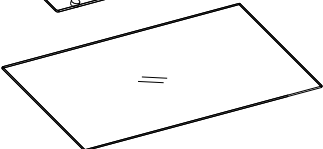
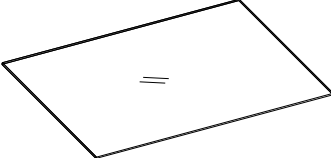
A		6x25x10mm ALLEN BOLT (AB62510S)	4 PCS
B		6x28x10mm ALLEN BOLT (AB62810BL)	4 PCS
C		6x35x10mm ALLEN BOLT (AB63510BL)	2 PCS
D		6x42x10mm ALLEN BOLT (AB64210BL)	4 PCS
E		6x54x10mm ALLEN BOLT (AB65410BL)	4 PCS
F		4x15x8mm WOOD SCREW	8 PCS
G		4.5x9x6mm MACHINE SCREW	2 PCS
H		PIN	2 PCS
I		BOTTOM PAD	4 PCS
J		PLASTIC GLASS SUPPORT	12 PCS
K		SIDE END CAP	4 PCS
L		ALLEN WRENCH	1 PC
M		FLOOR LEVELER	2 PCS
N		NAME PLATE	1 PC

\*Extra hardware is enclosed for your convenience.

THE BELOW PARTS ARE PRE-ASSEMBLED AND ARE LISTED AS A REFERENCE ONLY.

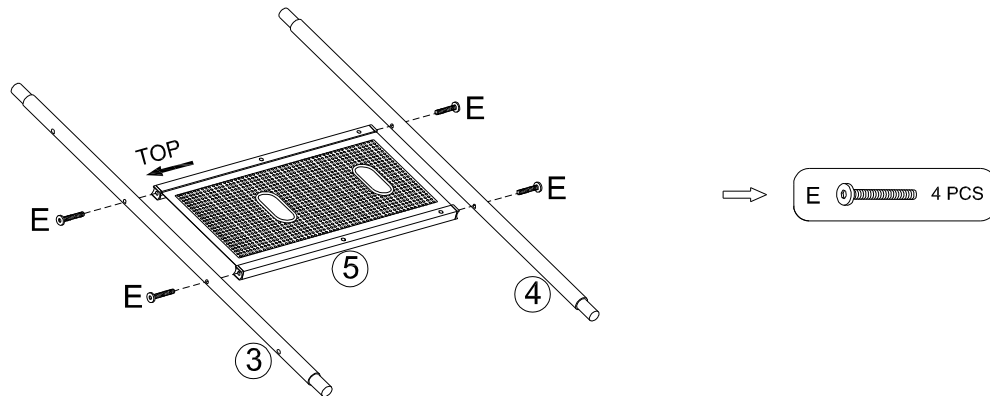
O		LEG END CAP	4 PCS
P		BACK PANEL END CAP	4 PCS
Q		FRAME END CAP	4 PCS
R		WIRE MANAGEMENT COVER	2 PCS

# PARTS IDENTIFICATION

①		LEFT LEG	1 PC
②		RIGHT LEG	1 PC
③		UPPER CROSSBAR	1 PC
④		LOWER CROSSBAR	1 PC
⑤		BACK PANEL	1 PC
⑥		MIDDLE SHELF FRAME	1 PC
⑦		LOWER SHELF FRAME	1 PC
⑧		GLASS SUPPORT	2 PCS
⑨		TOP GLASS SHELF	1 PC
⑩		MIDDLE GLASS SHELF	1 PC
⑪		LOWER GLASS SHELF	1 PC

# ASSEMBLY INSTRUCTION

## STEP 1

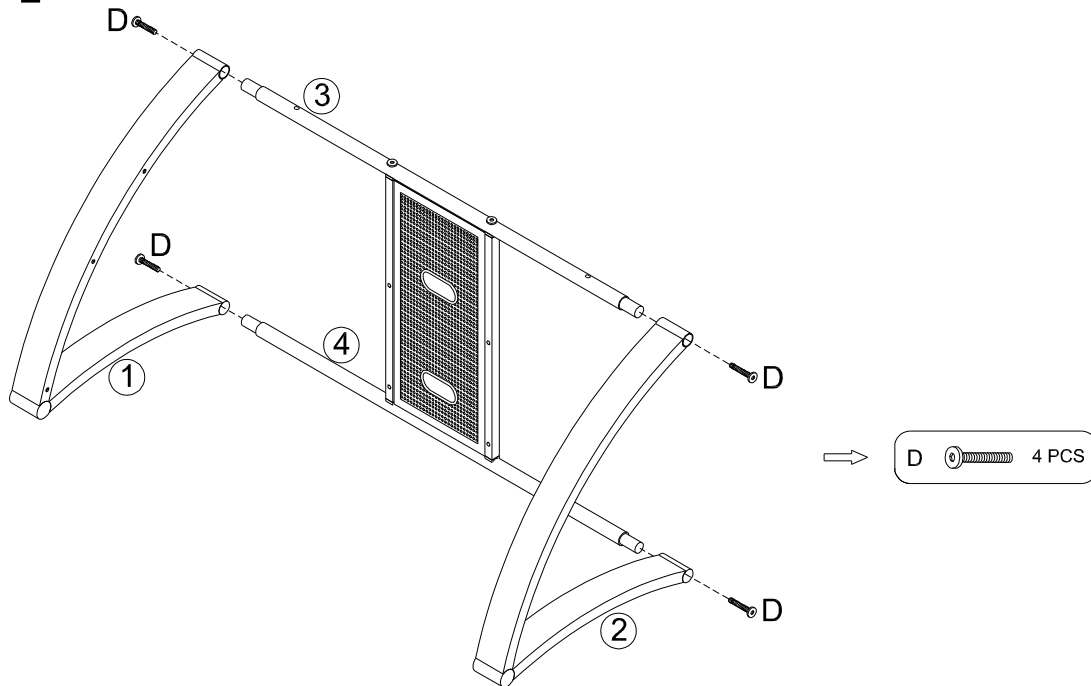


**DO NOT FULLY TIGHTEN ALLEN BOLTS UNTIL THE END OF STEP 3.**

Loosely secure the TOP of (5) Back Panel to (3) Upper Crossbar and the BOTTOM to (4) Lower Crossbar with (E) 6 x 54 x 10mm Allen Bolts.

**\*NOTE: Make sure the holes located on (4) Lower Crossbar that connect (M) Floor Levelers (in Step 4) face the BOTTOM.**

## STEP 2

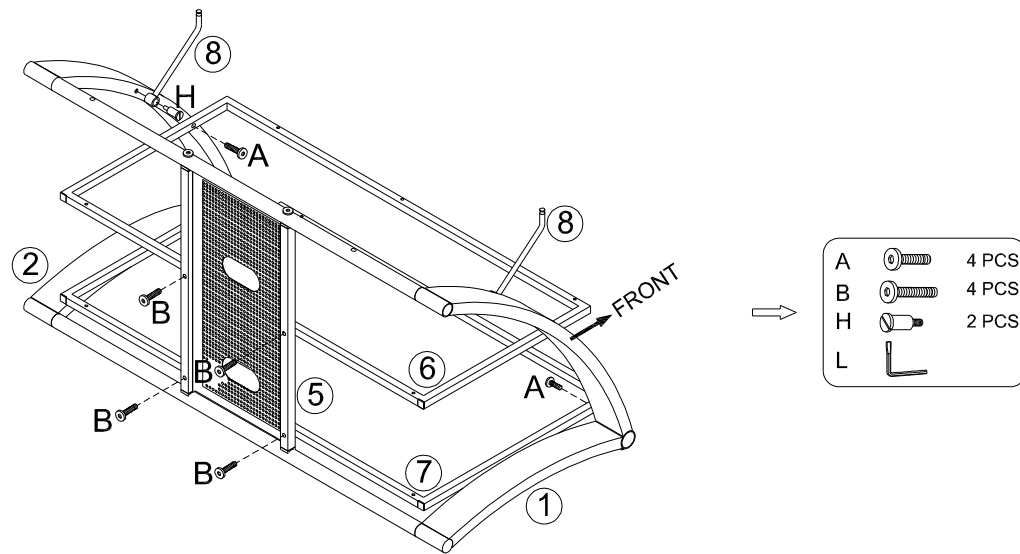


**DO NOT FULLY TIGHTEN ALLEN BOLTS UNTIL THE END OF STEP 3.**

Now insert the ends of (3) Upper Crossbar and (4) Lower Crossbar into (1) Left Leg and (2) Right Leg. Loosely secure with (D) 6 x 42 x 10mm Allen Bolts.

**\*NOTE: Make sure the Threaded Holes located on the Edges of (1) Left Leg and (2) Right Leg face the INSIDE of the unit.**

## STEP 3



**DO NOT FULLY TIGHTEN ALLEN BOLTS UNTIL THE END OF THIS STEP.**

1. Connect the FRONTS of (6) Middle Shelf Frame and (7) Lower Shelf Frame to (1) Left Leg and (2) Right Leg with (A) 6 x 25 x 10mm Allen Bolts.

**\*NOTE: Make sure the holes to connect (J) Plastic Glass Supports (in Step 5) face UPWARD, toward the TOP of the unit.**

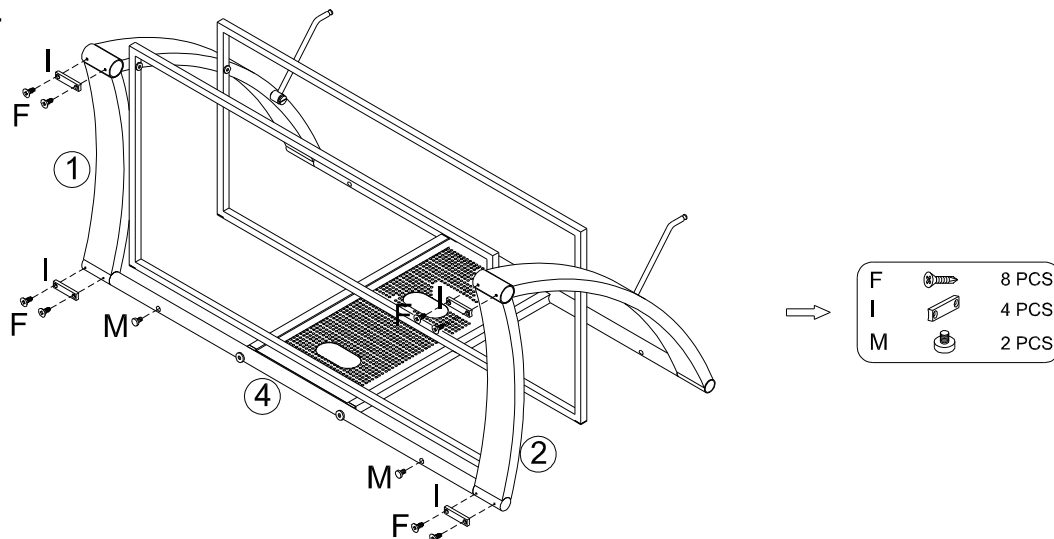
2. Now connect the BACKS of (6) Middle Shelf Frame and (7) Lower Shelf Frame to (5) Back Panel with (B) 6 x 28 x 10mm Allen Bolts.

3. Attach (8) Glass Supports to (1) Left Leg and (2) Right Leg with (H) Pins, making sure the TOPS curve toward the FRONT of the unit.

**\*NOTE: The Glass Supports are designed to swing freely and adjust slightly from side to side in order to fit properly into the cylinders located on (9) Top Glass Shelf (in Step 5).**

**4. FULLY TIGHTEN ALL ALLEN BOLTS AND PINS FROM STEPS 1-3 AT THIS TIME WITH (L) ALLEN WRENCH.**

## STEP 4

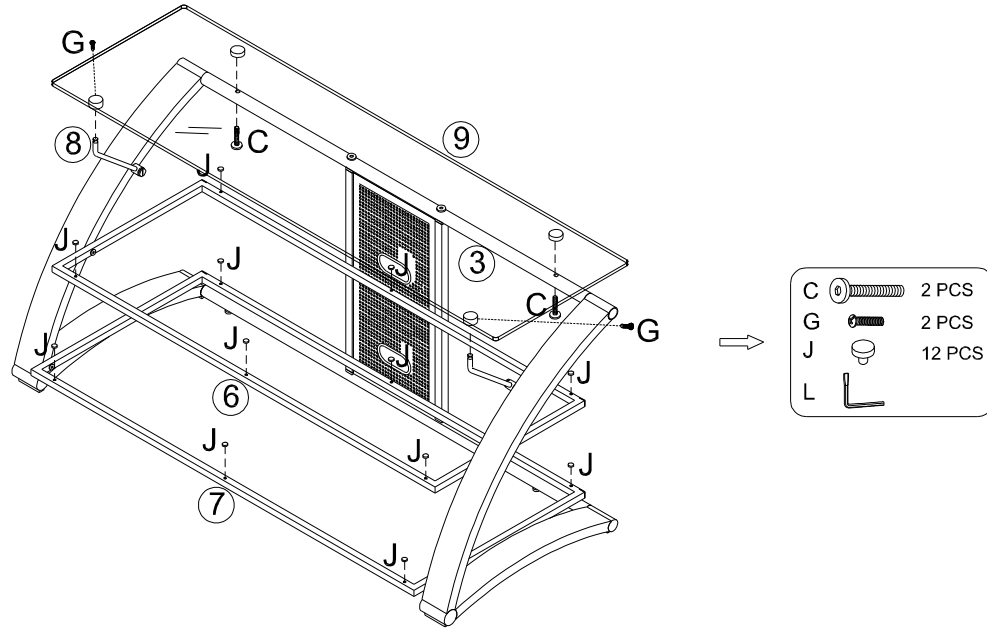


1. Lay the unit on its BACK and secure (I) Bottom Pads to (1) Left Leg and (2) Right Leg with (F) 4 x 15 x 8mm Wood Screws.

2. Insert (M) Floor Levelers into (4) Lower Crossbar as shown.

3. Stand the unit UPRIGHT for the next Step.

## STEP 5



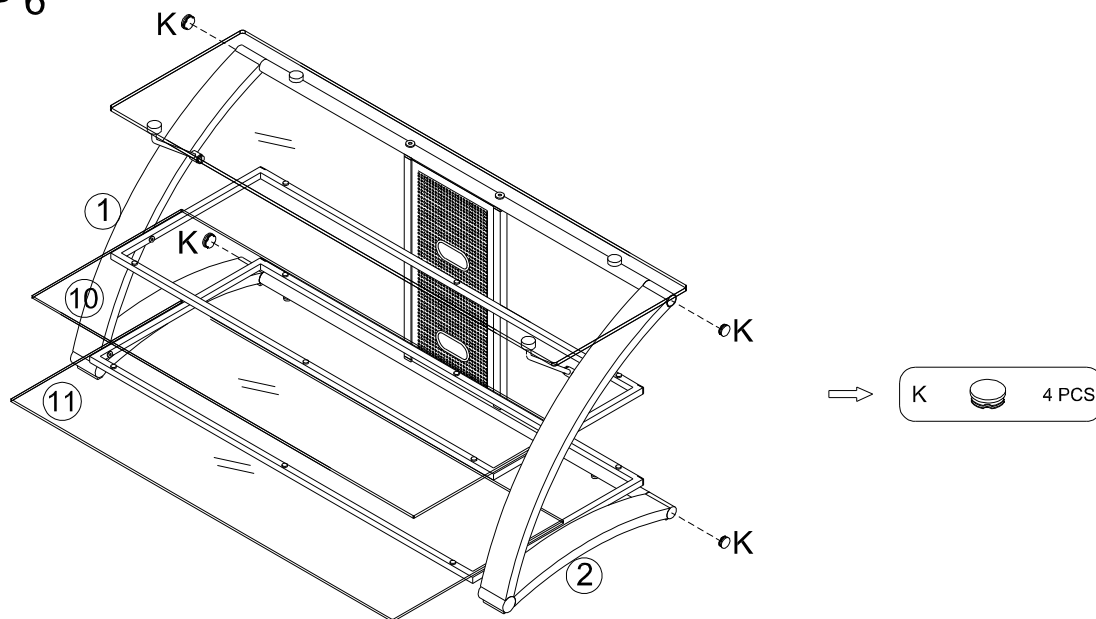
1. Carefully set (9) Top Glass Shelf in place making sure the TOPS of (8) Glass Supports fit into the pre-attached Cylinders.

**\*NOTE: YOU WILL NEED A SECOND PERSON TO HOLD (9) TOP GLASS SHELF IN PLACE UNTIL IT HAS BEEN SECURED.**

2. Secure the BACK of (9) Top Glass Shelf to (3) Upper Crossbar with (C) 6 x 35 x 10mm Allen Bolts, and the FRONT to (8) Glass Supports with (G) 4.5 x 9 x 6mm Machine Screws. **FULLY TIGHTEN ALLEN BOLTS AND MACHINE SCREWS.**

3. Now insert (J) Plastic Glass Supports into (6) Middle Shelf Frame and (7) Lower Shelf Frame as shown.

## STEP 6

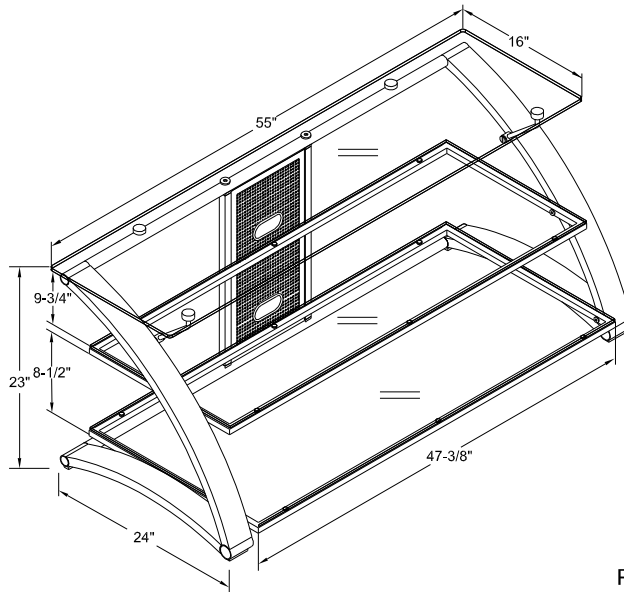


1. Carefully set (10) Middle Glass Shelf and (11) Lower Glass Shelf in place as shown.

2. Now insert (K) Side End Caps into (1) Left Leg and (2) Right Leg.

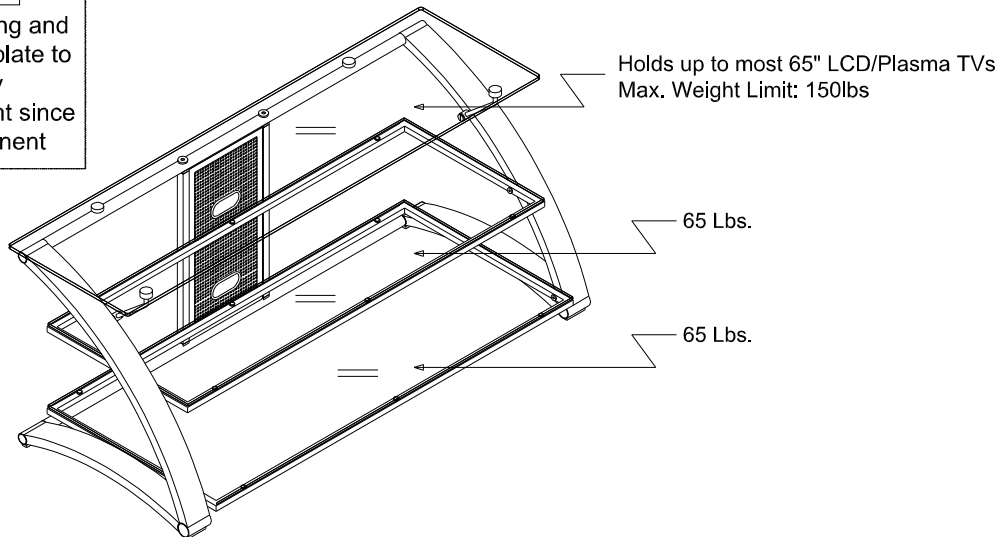
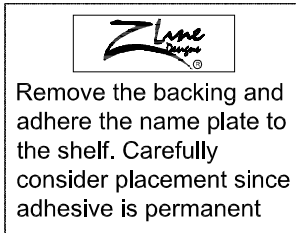
**CONGRATULATIONS, YOUR Z-LINE DESIGNS VITORIA 55" W TV STAND IS NOW COMPLETE!**

## DIMENSIONS



Product Size: 55"(W)x24"(D)x23"(H)

## MAXIMUM WEIGHT CAPACITIES



**⚠ CAUTION:** This product is intended to hold the Maximum Weight (EVENLY DISTRIBUTED) indicated. Exceeding the Maximum Weight will result in instability and may cause possible injury.

If the glass is chipped or broken stop using the product and consult the manufacturer or supplier.

### \* GLASS CAUTION:

- DO NOT place very hot or very cold items on the glass surface(s) unless adequately thick table mats are used to prevent such items from coming into contact with the glass.
- DO NOT sit or stand on the glass surface(s).
- DO NOT use the glass as a chopping surface.
- DO NOT strike the glass with hard or pointed items.
- When cleaning the glass, use a liquid glass surface cleanser and a soft cloth; DO NOT use harsh powders or any other abrasive substances as they will scratch the glass.





Creating beauty, Manufacturing great value!



## Limited Lifetime Warranty

Thank you for purchasing a Z-Line Designs product. We promise to repair or replace any Z-Line Designs product or component that may have any defects in material or workmanship for as long as you, the original purchaser, own it. This warranty is subject to the provisions below. Z-Line Designs' sole obligation and purchasers' exclusive remedy pursuant to these warranties are limited to replacement at Z-Line Designs sole discretion. There are no other warranties except as expressly set forth below, either expressed or implied, including any warranty of merchantability for any particular purpose.

The word "defects" in this warranty is defined as imperfections that impair the service, function or effectiveness of the product.

### **FIVE YEARS:**

Glides, casters and user-adjustable work surface mechanisms, laminates, veneer finishes, and other materials which cover your Z-Line Designs product.

### **INFORMATION ON COLOR VARIATIONS & FINISHES:**

Some natural variations occurring in wood or other natural materials are inherent to their character, and thus can not be avoided. Therefore they are not considered to be defects. Z-Line Designs does not warrant the color-fastness or matching of colors, grains, textures or other such materials. Customers' own materials selected by and used at the request of a user are therefore not warranted by Z-Line Designs.

### **LIMITATIONS INVOLVING MATERIALS & COMPONENTS:**

The materials and all components listed below are covered according to the following schedule from the date of sale to the original purchaser.

### **EXCLUSIONS:**

This warranty does not apply to: damage caused by the carrier, modifications to the product, or attachments to the product not approved by Z-Line Designs, non-standard materials selected by and used at the request of a user, and products that were not installed, used or maintained in accordance with product instructions and warnings. Nor shall Z-Line Designs have any responsibility for incidental or consequential damages resulting from the breach of this Warranty, including but not limited to inconvenience, rental or purchase of replacement products, loss of profits or commercial loss. Some states do not allow the exclusion or limitation of incidental or consequential damages so the above limitation or exclusion may not apply to you. This warranty gives you specific legal rights and you may also have other rights, which may vary from state to state. This warranty applies only to products sold within the United States of America and the Commonwealth of Canada.

### **TO OBTAIN SERVICE FROM THIS WARRANTY:**

Your Z-Line Designs' dealer is our mutual partner in supporting your warranty requests. By following the procedures instructed below, you are assured that you will receive the best level of customer service guaranteed.

- A) Please contact the local Dealer from whom you originally purchased within 30 days (unless otherwise noted by the Dealer) of discovery of the defect. Prepare to confirm that you are the original purchaser of the product and provide necessary product information, such as serial number(s)/UPC number(s) from the product in question.
- B) The Dealer will gather all the pertinent information required regarding your claim(s), inspect the product and thus contact a Z-Line Designs Customer Service Representative. (Please allow a reasonable amount of time for inspection, review, and response to Dealer.
- C) If the Z-Line Designs Dealer confirms that the product in review is eligible under the warranty conditions as stated above, the customer service representative or another representative of the Company will determine whether to provide replacement parts, or authorize other arrangements at the sole discretion of the vendor, Z-Line Designs. No assembly/labor is included in this warranty.

### **TO CONTACT CUSTOMER SERVICE:**

Our knowledgeable Service Representatives are ready to assist you in the case this warranty applies to you. Please be prepared to explain the defect in detail, model/style number, date and location of purchase, your name, address, phone number and have your original sales receipt.

Please contact us Monday-Friday (except all major holidays) at:

Toll Free 1-888-736-2141 from 7:00 am – 3:30 pm (Pacific Standard Time) OR Email us: [customerservice@z-linedesigns.com](mailto:customerservice@z-linedesigns.com)

**OR**

Contact your local dealer from whom you originally purchased the product in question.