



3024WC

3000 SERIES

FEATURES

PERFORMANCE

- Wine bottle capacity up to 43 bottles (.75L)
- Digitally controlled single-zone convection cooling system
- U-Select™ Control: Integrated OLED display with intuitive user interface ergonomically located on top of door
- Sparkling Wine Mode: 38°-50°F, White Wine Mode: 45°-55°F, Red Wine Mode: 55°-65°F
- U-Select™ Control provides 3 distinct settings designed to provide precise temperature and maximize preservation
- Quick Chill feature rapidly chills to the lowest temperature setting and is available in White and Sparkling modes
- Sabbath / Blackout mode turns off all lighting, controls display until unit is easily reset by touching the On/Off button
- UL Residential Listing

INTERIOR / EXTERIOR

- 2 wine racks will fit larger diameter wine bottles, including Champagne bottles
- Black interior with LED theater lighting optimizes elegant display
- Solid beech wood trimmed with graphite colored finish, full-extension, black vinyl coated wine racks allow for full access to stored wines
- LowE coated, argon gas filled thermopane glass door provides protection from harmful UV rays
- Robust, concealed and covered hinges with built-in door stop and closer
- Durable Delrin feet on leveling legs glide easily on floor and reduce potential scratching

INTEGRATION

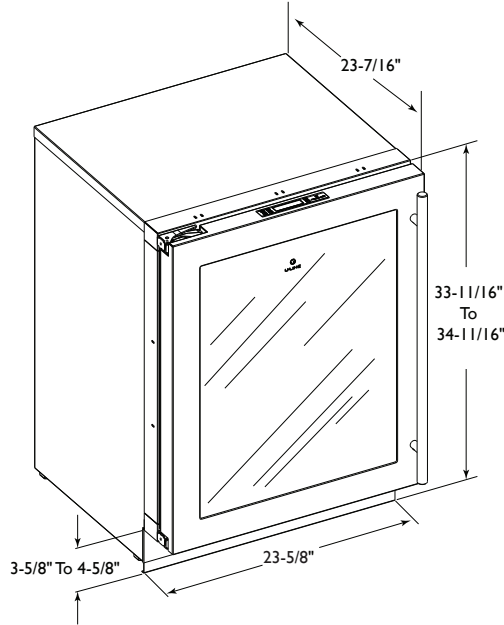
- Standard commercial stainless steel handle is interchangeable with professional handle option
- Adjustable toe-kick - front to back and up and down allows for seamless installation
- Front adjustable rear leveling legs greatly eases installation
- Allow a 2-1/2" clearance on hinged side for 90° door opening when installed adjacent to a wall (for stainless steel model)
- No additional clearance around sides, top or rear of unit is needed for ventilation



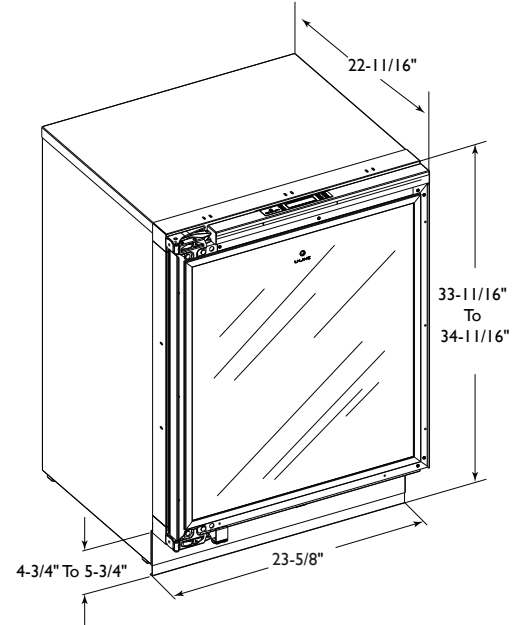
2 wine racks will fit larger diameter wine bottles, including Champagne bottles



Single Zone Convection Cooling System featured in 3024WC



3024WCS Stainless Model



3024WCOL Overlay Model

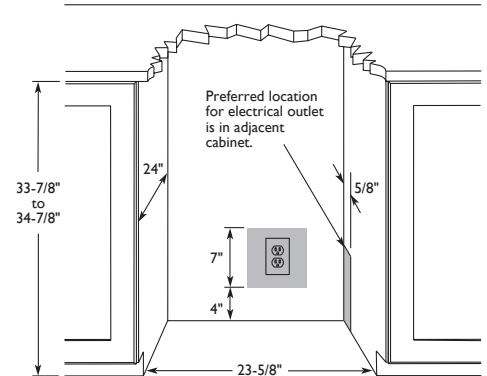
DIMENSIONS AND SPECIFICATIONS

OVERALL DIMENSIONS

Height	33-9/16" (85.2)
Width	23-5/8" (60)
Depth	23-7/16" (59.5)
With stainless steel handle	25-5/16" (64.3)
Shipping weight:	
Stainless model	156 lbs (72 kg)
Overlay model	153 lbs (70 kg)
Running amps	
Amps pertain to voltage rating	2.4 110/115 Volt, 60 Hz
Capacities:	
Wine bottle storage (0.75L)	Up to 43 (.75L)

3024WC

Stainless Right-hand	U-3024WCS-00
Stainless Left-hand	U-3024WCS-01
Overlay Right-hand	U-3024WCOL-00
Overlay Left-hand	U-3024WCOL-01



Please visit www.u-line.com for installation guide.
All specifications are subject to change without notice.

