



Stainless



Overlay

3024BEV

3000 SERIES

FEATURES

PERFORMANCE

- Bottle/can capacities: 42 12-oz bottles or 126 12-oz cans
- Wine bottle capacity up to 11 bottles (.75L)
- Digitally controlled single-zone convection cooling system
- Refrigeration capacity of 4.9 cubic feet
- U-Select™ Control: Integrated OLED display with intuitive user interface ergonomically located on top of door
- Beverage Mode: 34°-65°F, Deli Mode: 34°-40°F, Market Mode: 34°-40°F, Pantry Mode: 34°-70°F, Root Cellar Mode: 45°-55°F
- U-Select™ Control provides 5 distinct settings designed to provide precise refrigeration and maximize preservation
- Convection Cooling Technology
- Sabbath / Blackout mode turns off all lighting, controls display until unit is easily reset by touching the On/Off button
- UL Residential Listing

INTERIOR / EXTERIOR

- Black interior with LED theater lighting optimizes elegant display
- Solid beech wood trimmed with graphite colored finish, full-extension, black vinyl coated wine racks allow for full access to stored wines
- LowE coated, argon gas filled thermopane glass door provides protection from harmful UV rays and added insulating energy efficiency
- Robust, concealed and covered hinges with built-in door stop and closer
- Three fully adjustable tempered glass shelves with 7 positions optimize storage space for a wide variety of options
- Durable Delrin feet on leveling legs glide easily on floor and reduce potential scratching

INTEGRATION

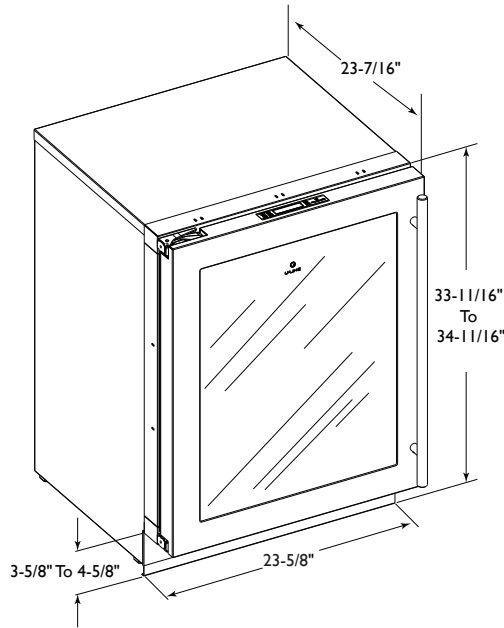
- Standard commercial stainless steel handle is interchangeable with professional handle option
- Adjustable toe-kick - front to back and up and down allows for seamless installation
- Front adjustable rear leveling legs greatly eases installation
- Allow a 2-1/2" clearance on hinged side for 90° door opening when installed adjacent to a wall (for stainless steel model)
- No additional clearance around sides, top or rear of unit is needed for ventilation



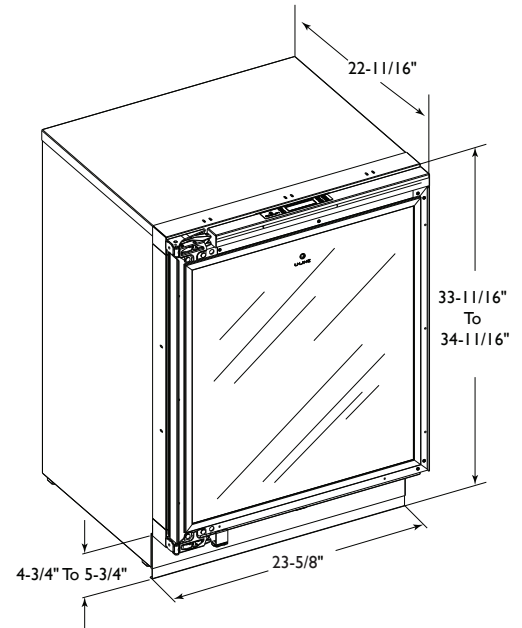
U-Line Beverage Centers are ready for any occasion. With 7 shelf positions and 2 wine racks, you can accommodate any kind of 12 oz container, juice boxes, water and up to 11 bottles of wine! Both wine racks are capable of storing more popular larger diameter bottles.



Single Zone Convection Cooling System featured in 3024BEV



3024BEVS Stainless Model



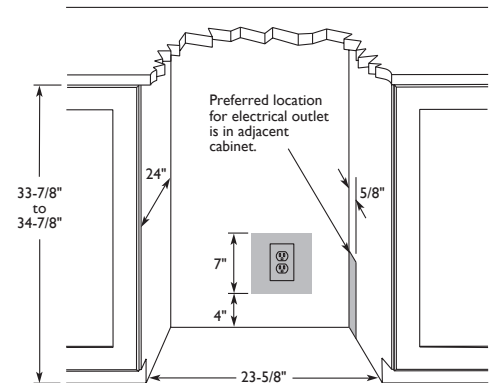
3024BEVOL Overlay Model

DIMENSIONS AND SPECIFICATIONS

OVERALL DIMENSIONS

Height	33-9/16" (86.6)
Width	23-5/8" (60)
Depth	23-7/16" (59.2)
With stainless steel handle	25-3/16" (64.9)
Shipping weight:	
Stainless model	155 lbs (70 kg)
Overlay model	150 lbs (68 kg)
Running amps	
Amps pertain to voltage rating	2.4 110/115 volt, 60 Hz
Capacities:	
Defrost technology	Automatic
Refrigerator volume	4.9 Cu Ft
Wine bottle storage (0.75L)	Up to 11 (.75L)
Shelf storage	Up to 42 12oz bottles Up to 126 12oz cans

3024BEV	
Stainless Right-hand	U-3024BEVS-00
Stainless Left-hand	U-3024BEVS-01
Overlay Right-hand	U-3024BEVOL-00
Overlay Left-hand	U-3024BEVOL-01



Please visit www.u-line.com for installation guide.
All specifications are subject to change without notice.

