

MODULAR 3000 SERIES

Overlay/Handleless Integrated Door Panel, Frame and Toe-Kick Specifications

WINE CAPTAIN® MODELS



U-3018WCOL-00

U-3018WCOL-01

U-3024WCOL-00

U-3024WCOL-01

U-3036WCWCOL-00

BEVERAGE CENTERS



U-3024BEVOL-00

U-3024BEVOL-01

U-3036BYWCOL-00

GLASS DOOR REFRIGERATORS



U-3018RGLOL-00

U-3018RGLOL-01

U-3024RGLOL-00

U-3024RGLOL-01

U-3036RRGLOL-00

REFRIGERATORS/ ICE MACHINES



U-3018RFOL-00

U-3018RFOL-01

U-3024RFOL-00

U-3024RFOL-01

U-3036RROL-00

U-3018CLROL-00

U-3018CLROL-01

U-3018CLROL-40

U-3018CLROL-41

THE MODULAR 3000 SERIES ARE INTENDED FOR BUILT-IN INSTALLATIONS ONLY

Table of Contents

Safety Precautions	
Safety Alert Definitions.....	1
3000 Series Overlays	
Overlay/Frame Overlay Panel.....	2
Panel Preparation.....	2
Overlay & Frame Overlay Panel Dimensions.....	2
Panel Installation.....	3
Handleless Integrated Door Panel/Frame Overlay.....	5
Panel/Frame Overlay Preparation.....	5
Handleless Overlay Dimensions for 18" and 36" Units.....	6
Handleless Overlay Dimensions for 24" Units.....	7
Panel/Frame Installation.....	8
Overlay Grille.....	9
Overlay Preparation.....	9
Overlay Installation.....	9
Overlay Grille Dimensions.....	10

Safety Precautions

Safety Alert Definitions

Throughout this guide are safety items labeled with a Danger, Warning or Caution based on the risk type:

DANGER

Danger means that failure to follow this safety statement will result in severe personal injury or death.

WARNING

Warning means that failure to follow this safety statement could result in serious personal injury or death.

CAUTION

Caution means that failure to follow this safety statement may result in minor or moderate personal injury, property or equipment damage.

3000 Series Overlays

Overlay/Frame Overlay Panel

NOTICE

Due to differences in surrounding cabinetry the panel may not perfectly align with door. The procedure below is designed to provide a finished overlay panel that seamlessly integrates with surrounding cabinetry.

Panel Preparation

A full overlay door panel completely covers the door frame and provides a built-in appearance.

NOTICE

- The door panel must not weigh more than 20 lbs (9.1 kg).
 - It is important to ensure that all drilled holes are drilled to the correct depth in order to avoid splits in the wood when hardware is installed.
 - Appliance will need up to 34-1/2" (876.3 mm) to the under side of the counter to leave room for leveling adjustments.
1. Cut the panels to the dimensions listed in the appropriate diagram below.
 2. Optional: Stain or Finish panel to desired stain or color. Be sure to closely follow the instructions provided by the manufacturer.

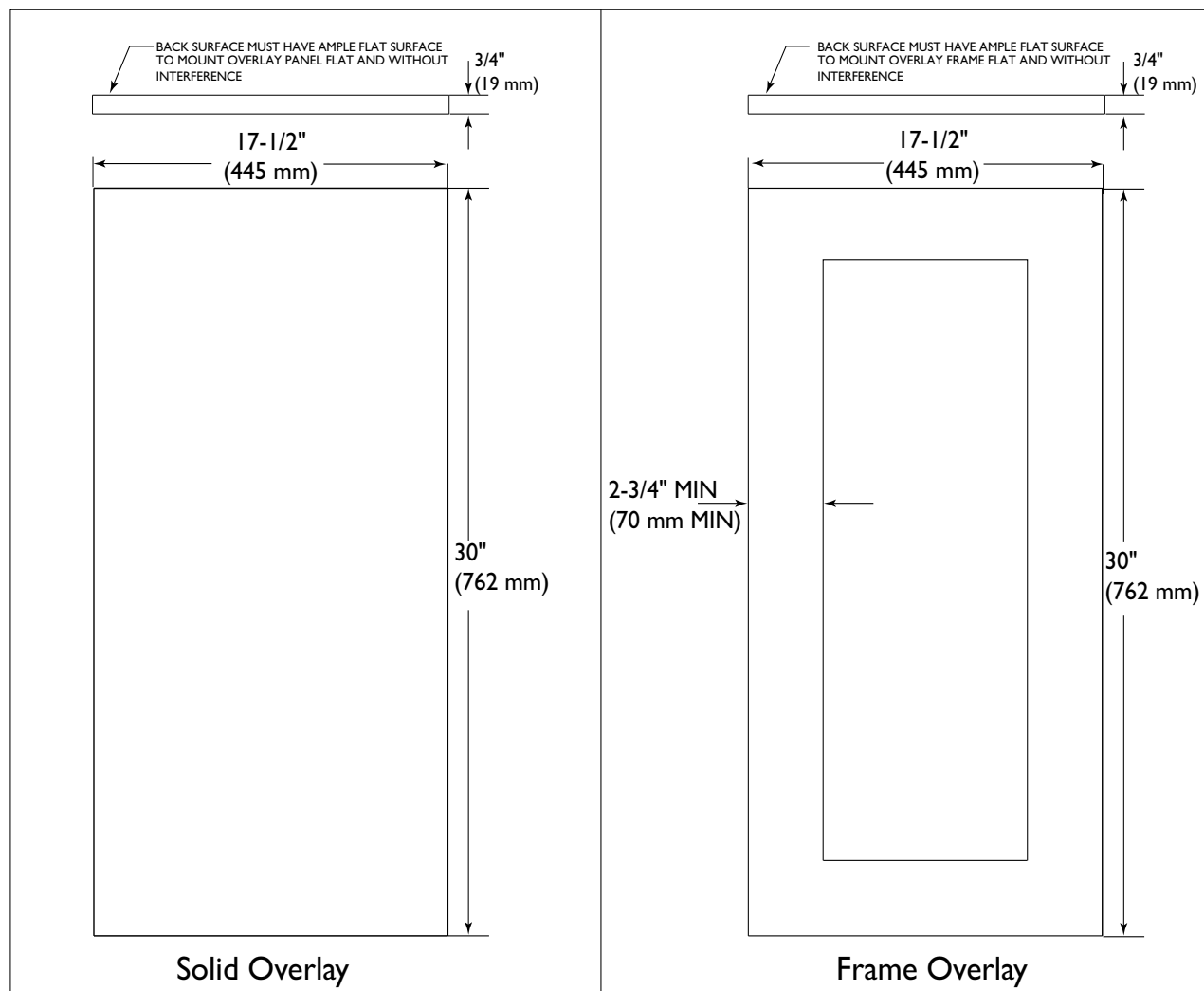
NOTICE

If finishing frame overlay, both sides of overlay must be finished in order to prevent warping.

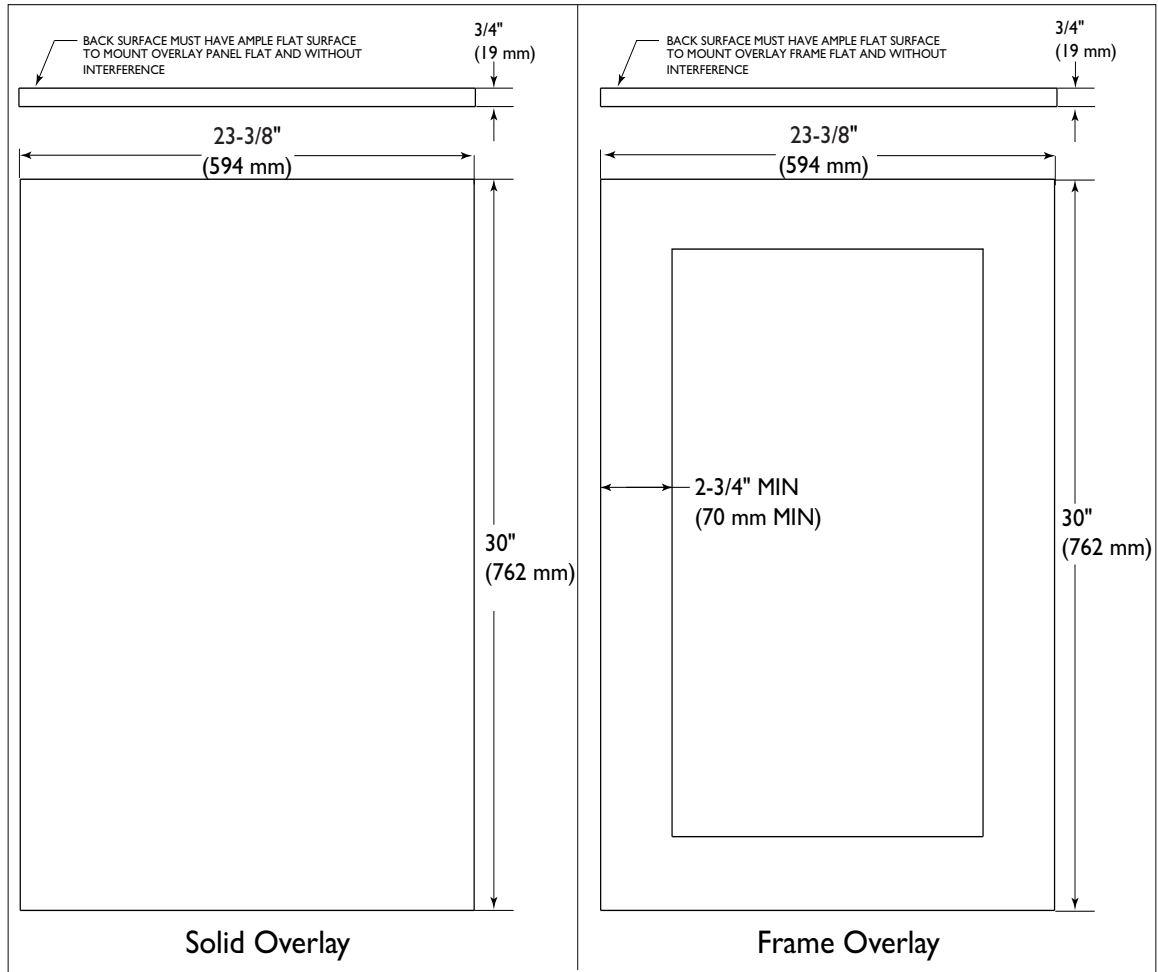
3. Optional: Install handles and hardware.

Overlay & Frame Overlay Panel Dimensions

3018 and 3036 Models

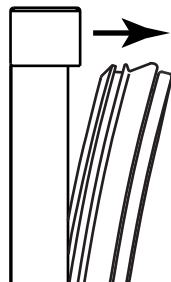


3024 Models



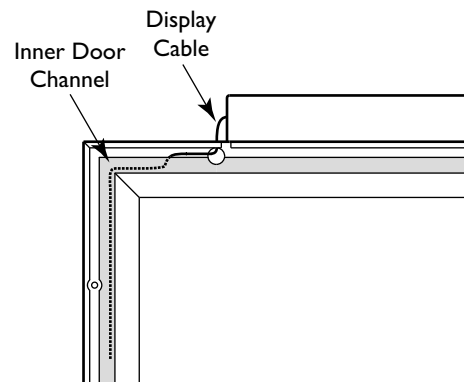
Panel Installation

1. Fully open door.
2. Starting at corner, pull gasket away from door.
3. Continue to pull gasket free from gasket channel.
4. Upon removal, lay gasket down on a flat surface.

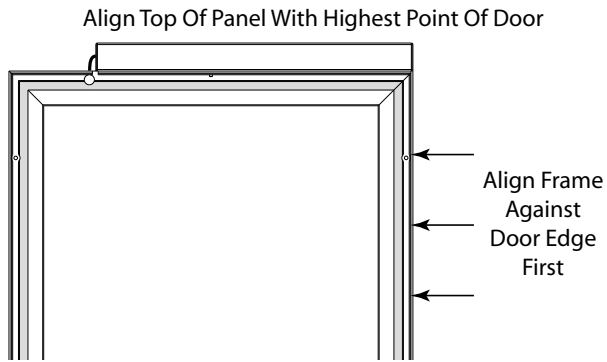


NOTICE

If working with the door that houses the display, make certain the display cable remains securely seated in the inner door channel, see below.

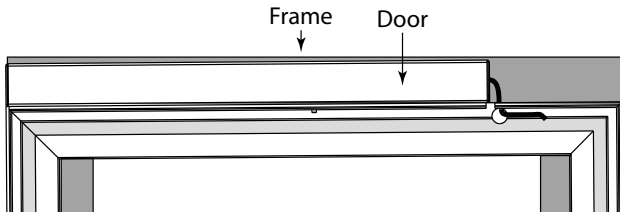


- The frame should be aligned with the outside edge (opposite the hinge) and high enough to align with the highest point in the door.

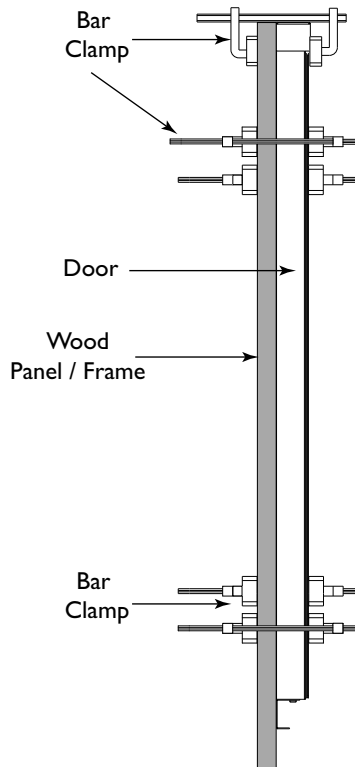


NOTICE

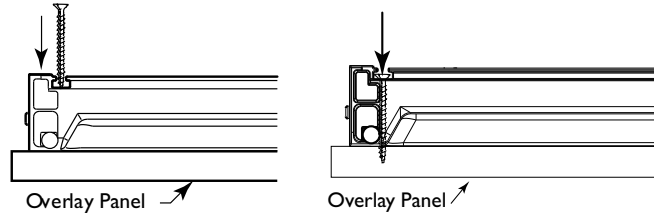
Due to differences in floor construction or surrounding cabinetry, the frame may not sit flush with the top of the door.



- Secure overlay to door using clamps. A robust tape may also be used. U-Line recommends the use of bar clamps to securely clamp the overlay to the door. If using tape, be certain the tape will not damage overlay finish upon removal.
- Using a 7/64" drill bit, drill 6 pilot holes into the wood panel 1/2" deep using the holes in the door frame as a guide.
- Locate 6 of the #6x 1-1/2" screws provided with your unit.
- Using a Phillips screwdriver, place one screw into each of the 6 pilot holes and screw down. Do not overtighten screws.



- Be sure the screws force their way past the opening on the gasket channel and sit flush against the bottom of the channel.



- Remove clamps from door.

NOTICE

If frame requires additional adjustment after removing clamps, slightly loosen each screw and adjust frame as necessary. Tighten screws upon completion.

- Starting at the corners, re-install the gasket into the gasket channel in the frame. Make sure the gasket is fully seated. This may take some force.
- If installing an additional overlay on a 36" unit, repeat steps 1 through 12 on the opposite door.

Handleless Integrated Door Panel/ Frame Overlay

The following procedure is designed to provide a finished, handleless solid panel or frame overlay for an 18" or 24" door that seamlessly integrates with its surrounding cabinetry. Prepare two 18" overlays for 36" units.

NOTE: Many cabinet manufacturers provide a ready solution for a handle-less, integrated design that can be easily applied to your U-Line 3000 Series model. Consult your cabinet manufacturer for applicable design and installation details. The cabinet manufacturer's solution to this design and integration detail will often result in an overlay panel/frame solution wherein the size of the panel/frame may result in a height dimension taller than what we specify. This can be achieved provided the additional height is positioned above the appliance door.

NOTICE

- The panel / frame overlay aligns with the surrounding cabinetry and, due to differences in cabinetry, may not align perfectly with the door.
- The appliance will need up to 34-1/2" to the underside of the counter to leave room for leveling adjustments.
- A single prepared overlay with insert must not weigh more than 20 lbs.

Panel/Frame Overlay Preparation

1. Cut the main panel(s) to the appropriate dimensions below. For details, see the drawings on the following pages.
 - For 18" or 36" units, see page 6.
 - For 24" units, see page 7.

Unit width	Panel width	Panel depth
18" or 36"*	17-1/2"	28-13/16"
24"	23-3/8"	28-13/16"

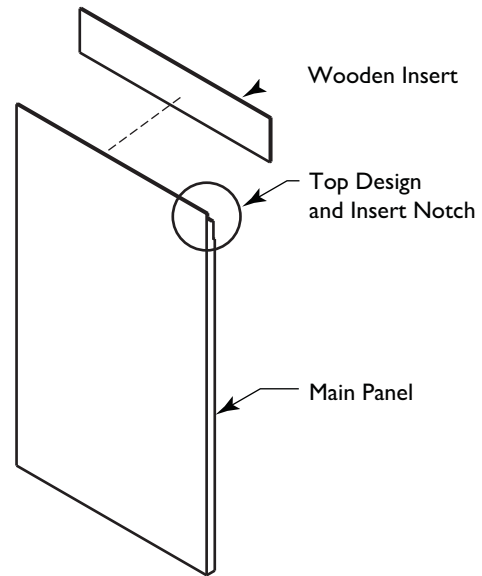
*Two 18" panels are required for 36" units.

2. Create the top design for the handleless feature and the 1/8" notch for the insert(s) indicated on the appropriate Top Detail drawing, page 2 or 3.
3. For **Frame Units**, create the indicated cutout(s), page 6 or 7.
4. Prepare the insert(s) that will back up the handleless design.

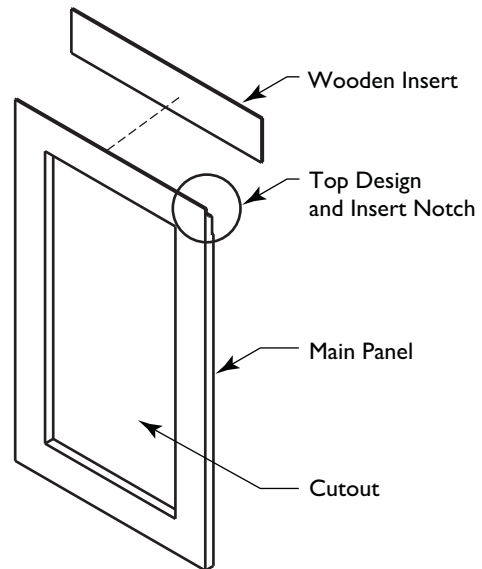
Wooden Insert – Cut 1/8" thick wooden insert(s) to the appropriate dimensions below.

Unit width	Insert width	Insert depth
18" or 36"*	17-1/2"	3-1/2"
24"	23-3/8"	3-1/2"

*Two 18" inserts are required for 36" units.

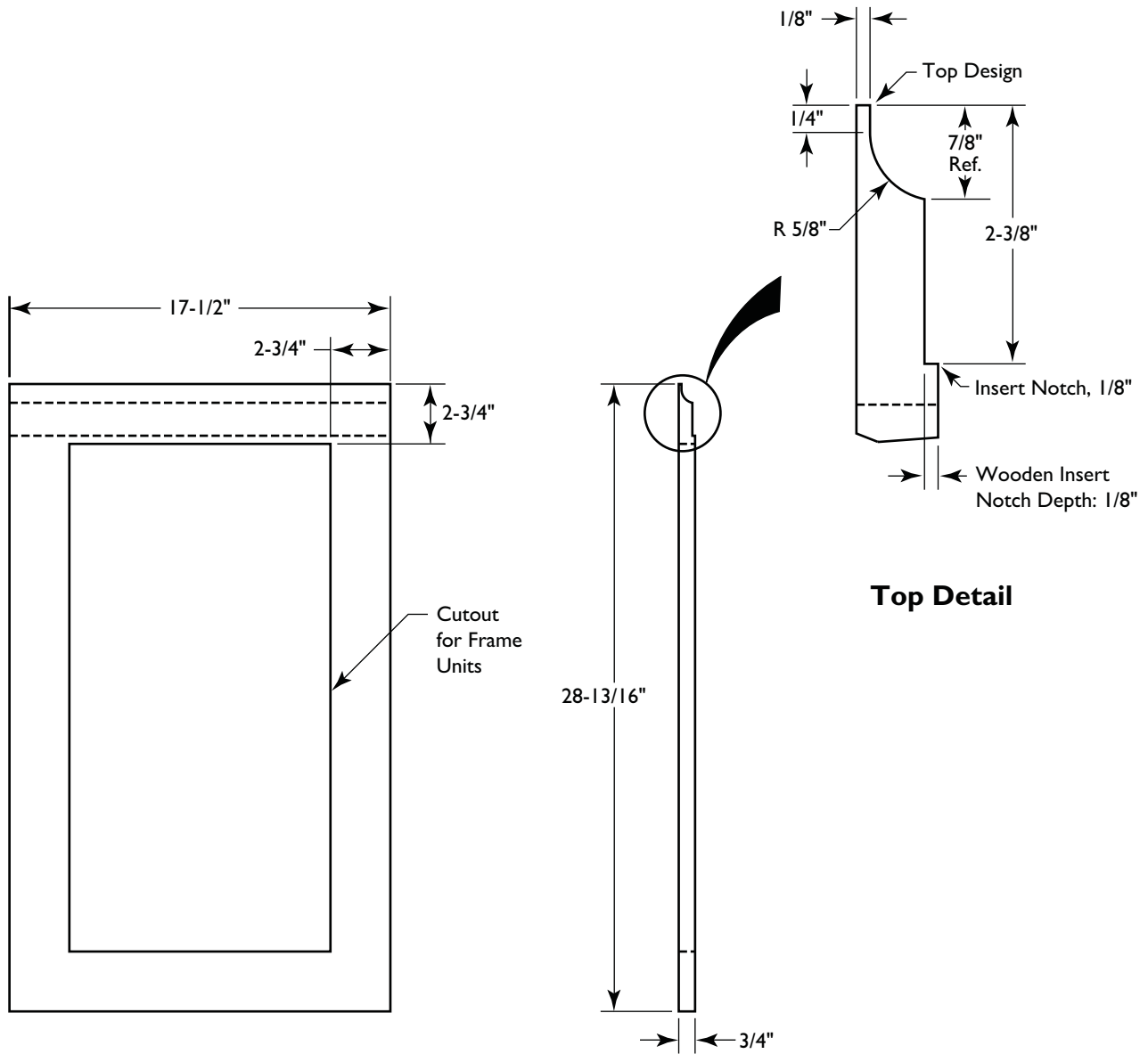


Panel Overlay

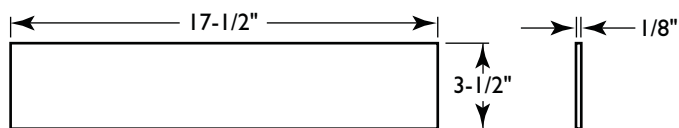


Frame Overlay

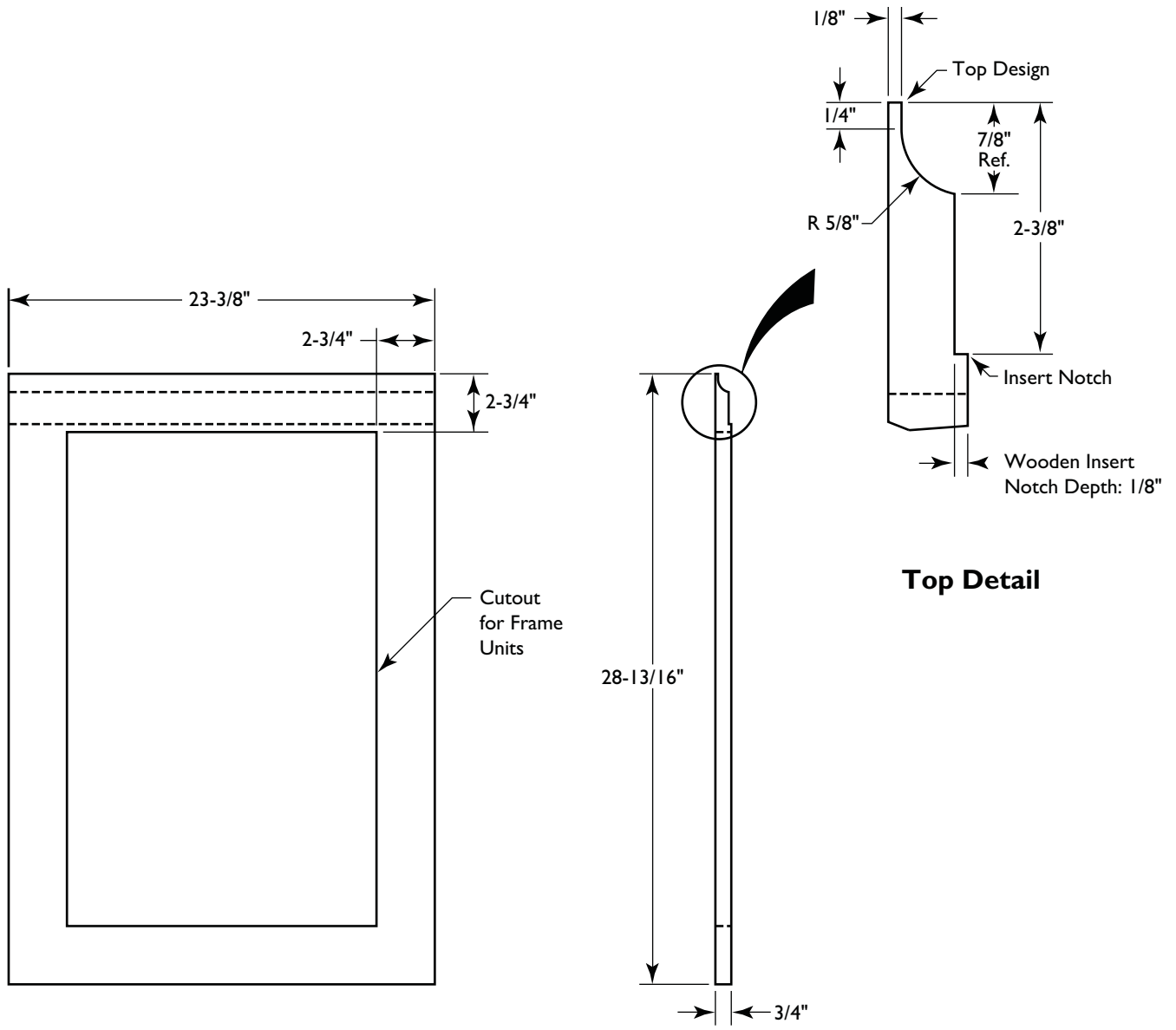
Handleless Overlay Dimensions for 18" and 36" Units



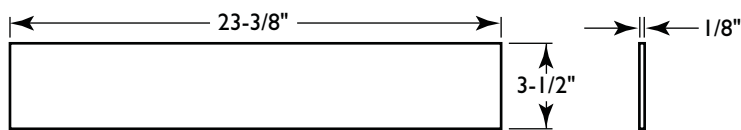
Wooden Insert Dimensions



Handleless Overlay Dimensions for 24" Units



Wooden Insert Dimensions

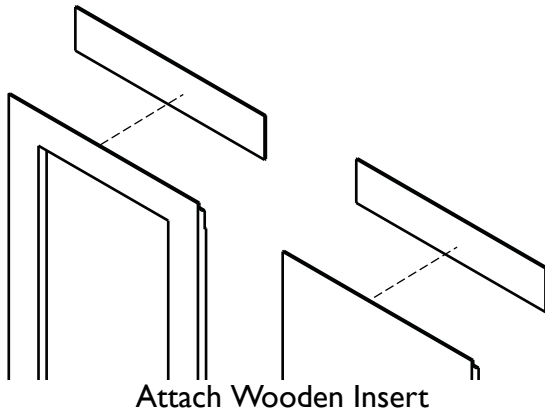


- Optional: Stain or finish panel / frame and wooden insert to desired stain or color. Be sure to closely follow the instructions provided by the manufacturer.

NOTICE

If finishing overlay or wooden insert, all sides must be finished to prevent warping.

- Attach the insert to the panel / frame. Wood glue or equivalent adhesive should be used to attach insert to panel / frame.



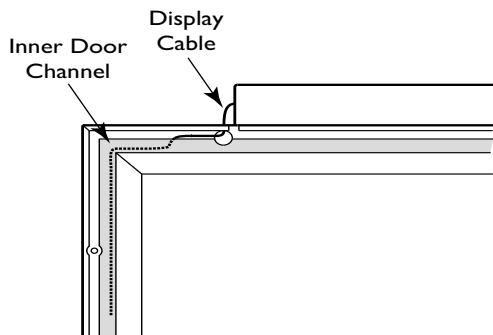
Panel/Frame Installation

- Fully open the door.
- Starting at the corner, pull gasket away from gasket channel in door.
- When gasket is completely free from channel, lay it on a flat surface.

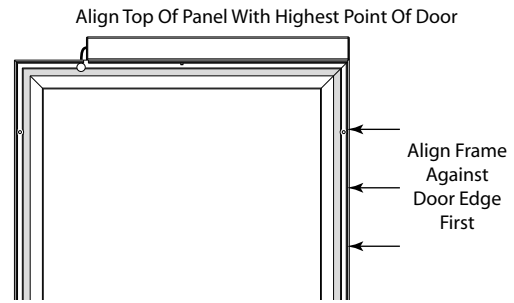


NOTICE

Make certain the display cable remains securely seated in the inner door channel, as shown below.

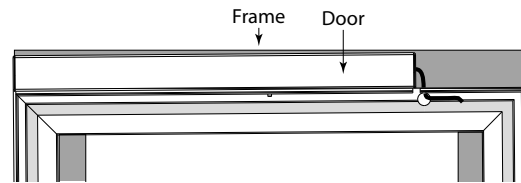


- Align the prepared overlay panel / frame to the door — first along the side of the door furthest from the hinge and then top align with the door's highest point.



NOTICE

Due to differences in floor construction or surrounding cabinetry, the overlay may not sit flush all the way along the top of the door.

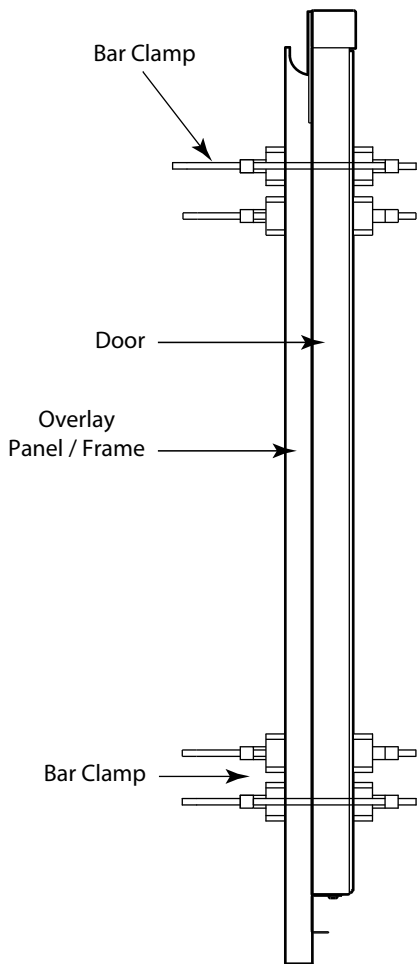


- Secure overlay to door using clamps or a robust tape. **Note:** U-Line recommends securely attaching the overlay using bar clamps. If using tape, be certain tape will not damage the overlay finish.
- Using a 7/64" drill bit, drill 6 pilot holes into the overlay 1/2" deep using the holes in the door as a guide.

NOTICE

It is important to ensure that all drilled holes are drilled to the correct depth in order to avoid splits in the wood when hardware is installed.

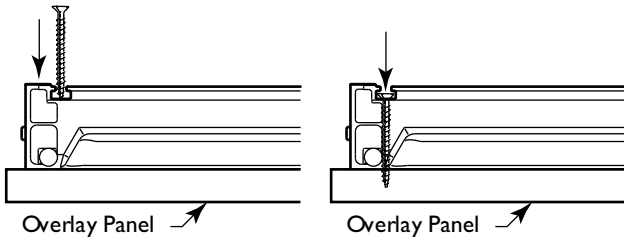
- Locate 6 of the #6x 1-1/2" screws provided with your unit.
- Using a Phillips screwdriver, place one screw into each of the 6 holes and screw in. Do not overtighten.



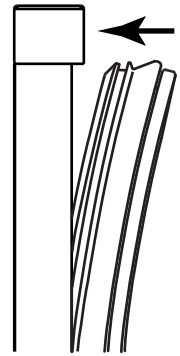
9. Make sure the screws force their way past the opening on the gasket channel and sit flush against the bottom of the channel.
10. Remove clamps from door.

NOTICE

If overlay requires additional adjustment after removing clamps, slightly loosen each screw and adjust alignment as necessary. Tighten screws upon completion.



11. Starting at the corner, re-install the gasket into the gasket channel in the frame, making sure the display cable is undisturbed. Also make sure the gasket is fully seated. This may take some force.
12. If installing overlays on a 36" unit, repeat steps 1 through 11 for the opposite door.



Overlay Grille

The 3000 series grille is fully adjustable and can be set to match your surrounding cabinetry dimensions. In addition to its adjustability, an overlay may also be installed to truly provide a seamless appearance.

Overlay Preparation

1. Use the dimensions provided in the diagram on page 10 to cut and shape your grille overlay. Recommended overlay thickness is between 1/4" and 3/8". Dimension A will vary based on your toe kick height.
2. Finish or stain your grille overlay to match your surrounding cabinetry. Both sides require finishing to prevent warping. Be certain to carefully follow the finish manufacturer's recommendations for application and cure times.

NOTICE

If finishing grille overlay, all sides must be finished to prevent warping.

3. Apply double sided tape to the backside of the overlay grill. Use the diagram below for reference. U-Line recommends 3M™ VHB™ tape, a high strength bonding tape.

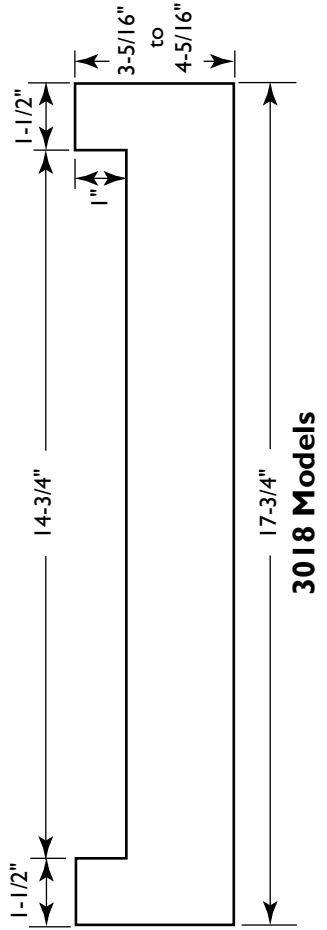
Apply Tape To Shaded Area



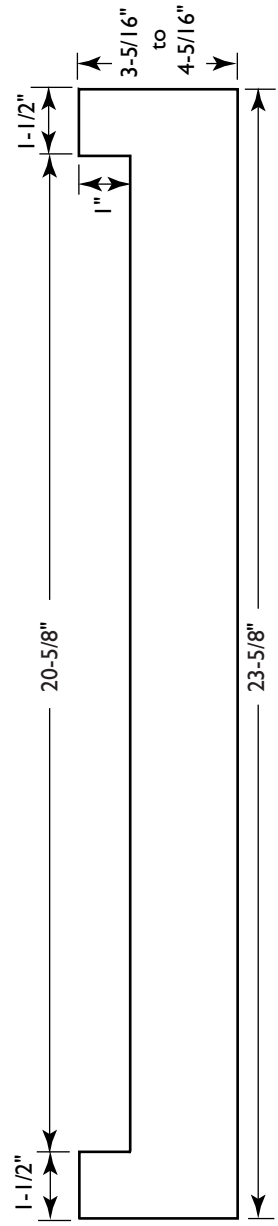
Overlay Installation

1. Remove backing paper from double sided tape.
2. Carefully align grille over overlay and press into position.

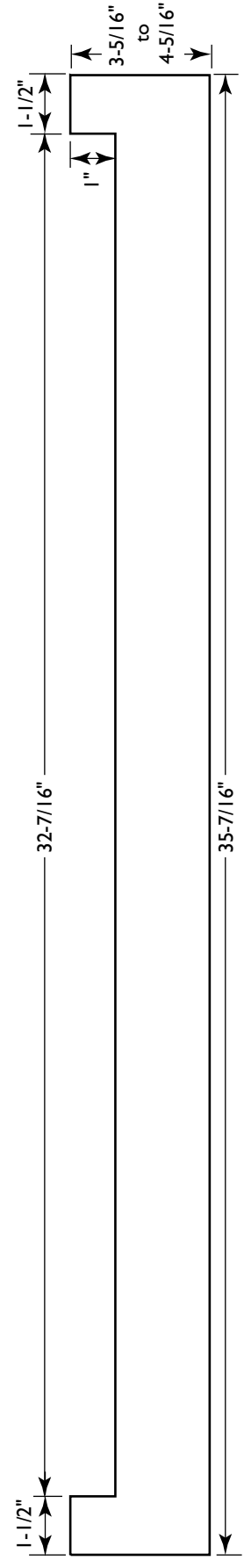
Overlay Grille Dimensions



3018 Models



3024 Models



3036 Models

Recommended Overlay Grille Thickness is 1/4" and May Not Exceed 3/8"

PRODUCT INFORMATION

Complete Installation Guides, Use and Care Guides, Specifications & Features and Benefits, CAD Drawings, Overlay Panel/Frame and Toe-Kick Specifications and Instructions, Compliance Documentation and Applicable Energy Guides are available for reference and download at u-line.com.

SERVICE INFORMATION

Please consult your Use and Care Guide for troubleshooting information. Answers to Customer Frequently Asked Questions are available at u-line.com under Customer Service. You may contact U-Line directly:

GENERAL INQUIRIES:

U-Line Corporation
P.O. Box 245040
Milwaukee, Wisconsin 53224-9540 U.S.A.
Phone 1-414-354-0300
FAX 1-414-354-7905
Email: sales@u-line.com
u-line.com

SERVICE ASSISTANCE:

Phone 1-800-779-2547
FAX 1-414-354-5696
Email: onlineservice@u-line.com
u-lineservice.com

PARTS ASSISTANCE:

E-mail: onlineparts@u-line.com

BUILDING ON THREE GENERATIONS OF INNOVATION

For over five decades and through three generations, U-Line continues to be the leader in innovation, quality and performance in the premium built-in undercounter ice making, refrigeration and wine preservation market. U-Line has captivated those with an appreciation for the finer things with exceptional functionality, style, inspired innovation and attention to even the smallest details. We are known and respected for our unwavering dedication to product design, quality and selection.

In 1962, Henry Uihlein founded U-Line Corporation as an outgrowth of Ben-Hur Freezer Company and was the first to develop and patent an automatic stand-alone undercounter residential ice maker. His foresight and determination to develop new ideas and to succeed when there were no clear guidelines or solutions are evident today. The newest Uihlein generation continues to build upon the family's innovative legacy at the Milwaukee, Wisconsin based business by providing continuity and vision from which new designs and technology continue to be born.

Today the complete U-Line product collection includes Ice Makers, Ice Machines, Wine Captain[®] Models, Combo[®] Models, Refrigerator / Freezers, Refrigerators, Drawer Models and Beverage Centers. The U-Line brand offers products in the 1000 Series, 2000 Series and the Modular 3000 Series. The 1000 Series offers a more targeted priced product with appropriate features, while the 2000 Series offers upscale features, advanced technology and specialized product families. Our Modular 3000 Series provides sleek design and versatile temperature settings with our U-Select[®] control. U-Line's approach to its breadth of products, multiple price points and features allows a choice and product that will fit any lifestyle.

DESIGNED, ENGINEERED AND ASSEMBLED IN WISCONSIN, USA