



Stainless

Overlay

Solid door
overlay

2275ZWC

2000 SERIES

FEATURES

PERFORMANCE

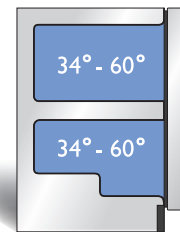
- Wine bottle capacity of up to 43 bottles (.75L)
- Touch glass digital control featuring easy view command center manages key functions and provides user alerts such as an audible door open alarm
- U-Select control system
- Digital controlled dual zone system, temperature settings can be set independently
- Temperature setting from 34 to 60° F allows for controlled storage of any wine varietal
- Sabbath / Blackout mode turns off all lighting and controls display and automatically resets after 36 hours
- UL residential listing

INTERIOR / EXTERIOR

- Lighted black interior optimizes elegant display of wines and can be manually turned on for display with door closed; automatically shuts off after four hours
- Solid beech wood trimmed, full-extension black vinyl coated wine racks allow for full access to stored wines
- Standard commercial stainless steel handle is interchangeable with professional handle option
- Self-closing door ensures a positive door seal and prevents door bounce back
- Stainless and overlay models have a field reversible door
- LowE coated, argon gas filled thermopane glass door provides protection from potentially harmful UV rays and added insulating energy efficiency
- Black vinyl clad textured cabinet is more resistant to scratching, peeling and flaking

INTEGRATION

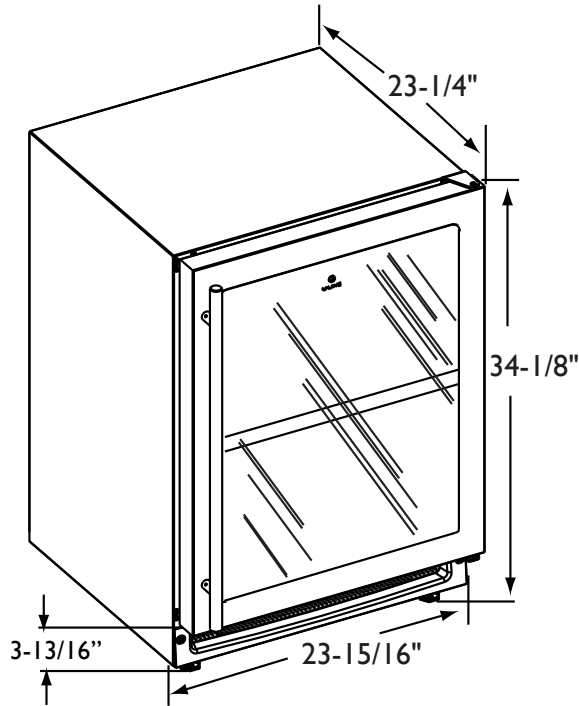
- Solid beech wood trim on wine racks can be stained to match surrounding cabinetry
- Overlay model accepts a full 3/4" overlay frame and can be fully integrated into all styles of cabinetry with zero clearance
- Allow a 2-1/2" clearance on hinged side for 90° door opening when installed adjacent to a wall (for stainless steel model)
- Allow 1/4" width overall for proper installation (see backside for details)
- No additional clearance around sides, top or rear of unit is needed for ventilation
- Do not obstruct front grille air flow
- Durable factory installed level legs provide a more precise undercounter fit



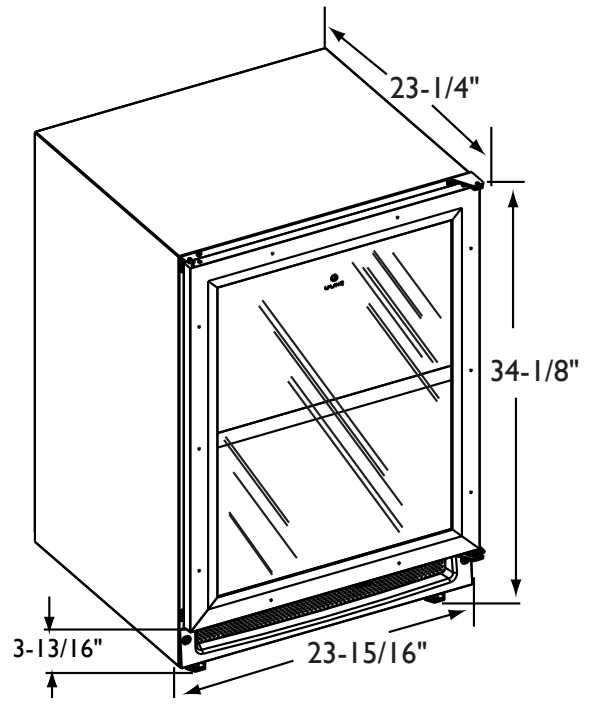
Dual Zone System
featured in 2275ZWC.



2275ZWC – Each zone
can be adjusted to a
specific temperature.



2275WCS Stainless Model



2275ZWCOL Overlay Model

DIMENSIONS AND SPECIFICATIONS

OVERALL DIMENSIONS

Height	34-1/8" (86.6)
Width	23-15/16" (60.8)
Depth	23-1/4" (59.3)
With stainless steel handle	25-1/8" (63.8)

Shipping weight:

Stainless model	144 lbs (65 kg)
Overlay model	144 lbs (65 kg)

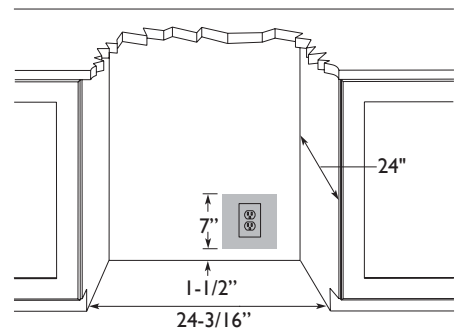
Running amps	2.4
Maximum start-up amps	5.5
Amps pertain to voltage rating	110/115 volt, 60 Hz

Capacities:

Wine bottle storage (0.75L)	Up to 43
-----------------------------	----------

2275ZWC

Stainless	U-2275WCS-00
Overlay	U-2275ZWCOL-00
Solid door overlay	U-2275ZWCOL-60



Please visit www.u-line.com for installation guide.

All specifications are subject to change without notice.

