

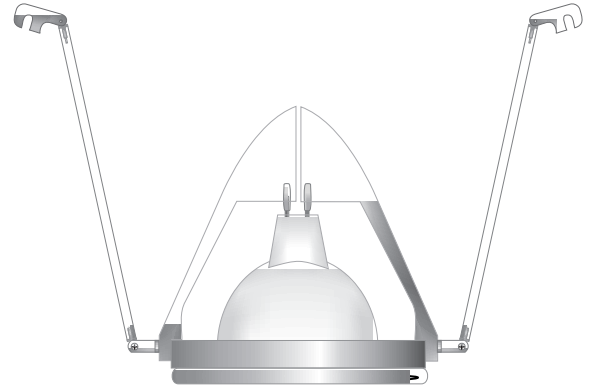


GENERAL PRODUCT INFORMATION:

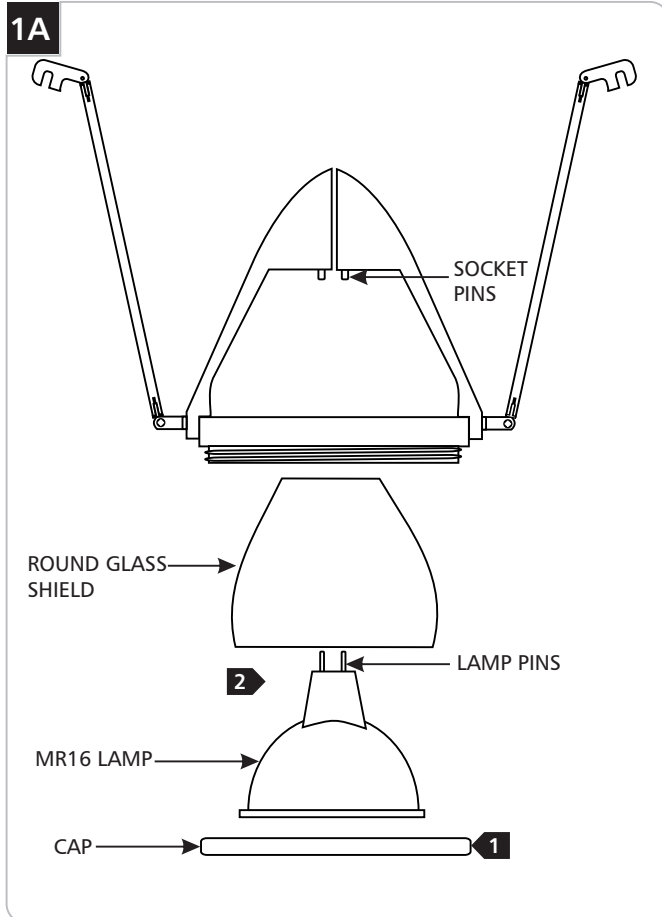


This product is suitable for indoor dry locations only.

Round Glass Shield, Louver Lens Holder, MR16 Snout, Egg Crate and Glass Lens are the applicable accessories.



Install the Lamp with the Glass Back Shield

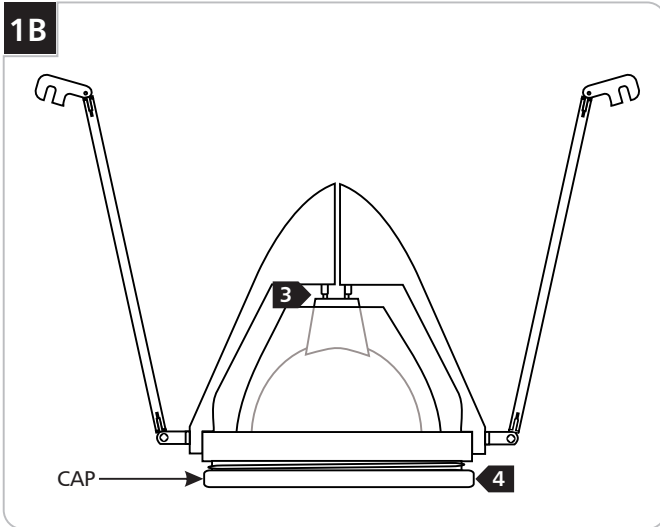


CAUTION: To reduce the risk of a burn or electric shock during relamping, disconnect the power to the fixture.

NOTE: Use only your fingers and a soft cloth to replace the lamp.

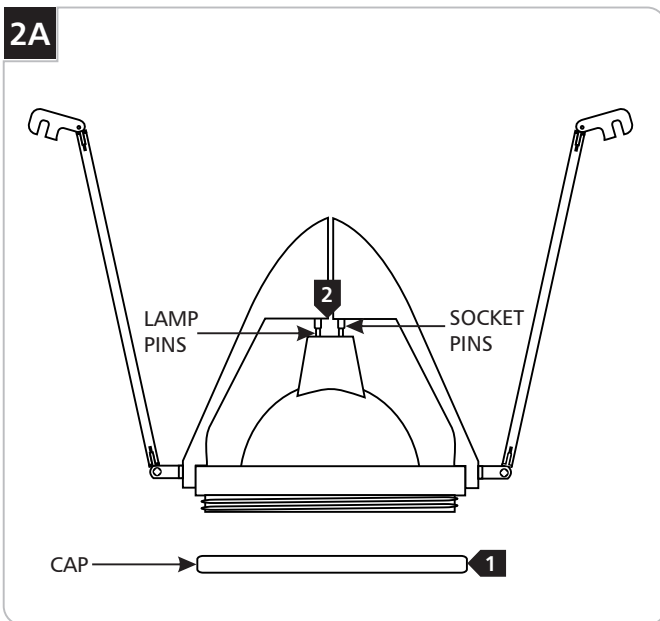
Use **MAX 75 Watt**, MR16 Front Cover Halogen Lamp.

- 1** Unscrew and remove the cap.
- 2** Put the MR16 lamp into the round glass shield (optional - not provided).



- 3 Push the lamp pins all the way into the socket pins.
- 4 Screw the cap back onto the fixture.

Install the Lamp without an Accessory



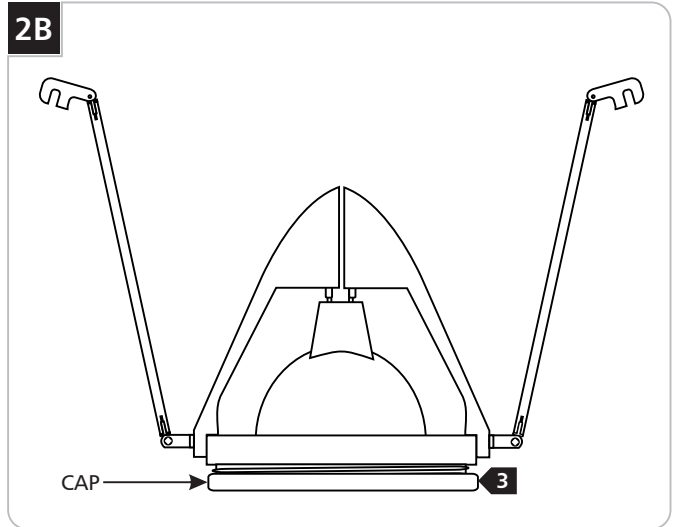
CAUTION: To reduce the risk of a burn or electric shock during relamping, disconnect the power to the fixture.

NOTE: Use only your fingers and a soft cloth to replace the lamp.

Use **MAX 75 Watt, MR16 Front Cover Halogen Lamp.**

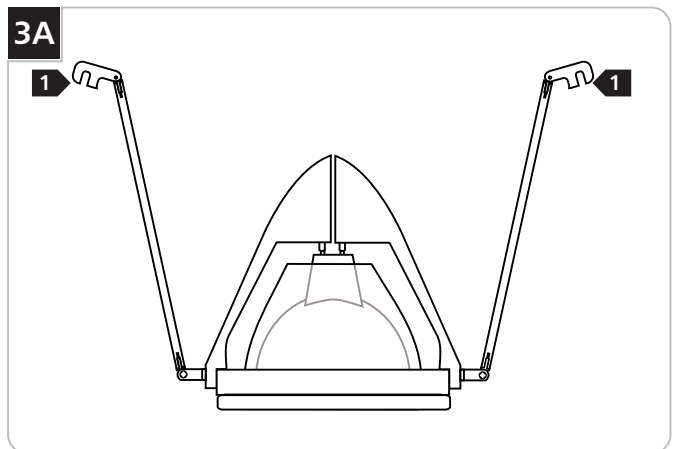


- 1 Unscrew and remove the cap.
- 2 Push the lamp pins all the way into the socket pins.

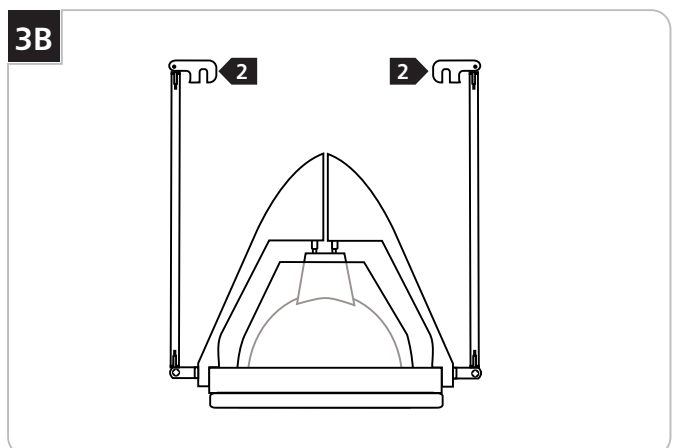


- 3 Screw the cap back onto the fixture.

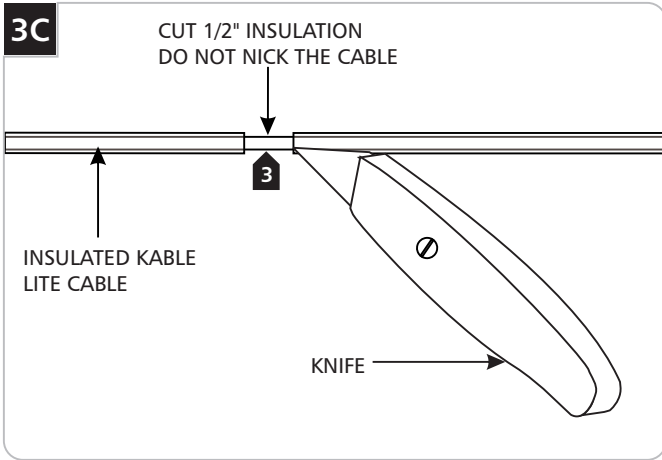
Connect the Bye-Bye to Kable Lite Cables



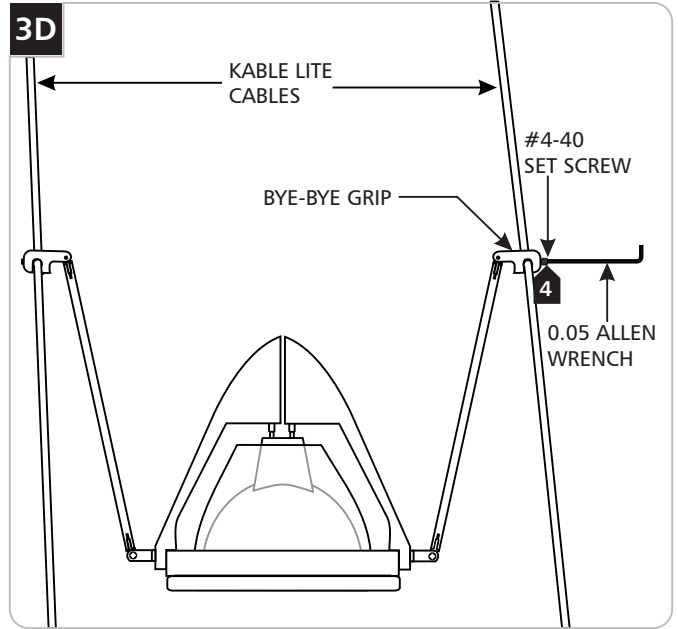
- 1 For 5.5" Kable Lite cable separation the Bye-Bye arms grips should face outside.



- 2 For 3.5" Kable Lite cable separation the Bye-Bye arms grips should face inside.



3 When using Bye-Bye fixture with insulated Kable Lite cables, strip 1/2" of the insulation off with a sharp knife. Make sure not to nick the cable.



4 Hook each Bye-Bye grip onto one Kable Lite cable and tighten the #4-40 set screw with the 0.05 Allen wrench.

IMPORTANT SAFETY INSTRUCTIONS

To reduce the risk of fire, electrical shock, exposure to excessive UV radiation, or injury to person:

- Use this fixture indoors only.
- Do not look directly at the lighted lamp.
- Do not remain in light if skin feels warm.
- Risk of fire: Use only the type of lamp and maximum wattage indicated in this instruction manual.
- Never cover the halogen lamp with anything other than a Tech Lighting lamp shield and never place flammable material close to your fixture.
- Never turn the fixture on and off by connecting and disconnecting the halogen lamp.
- Do not touch the fixture shades or lamp shield while the fixture is on. These surfaces may be HOT.

Halogen Lamp General Information

- A new halogen lamp may smoke slightly when it is used for the first time. This is perfectly normal; the protective coating is simply being vaporized.

Two Tips For Prolonging Halogen Lamp Life

- First avoid touching the lamp with bare hands during installation. Any contaminant, even the oil from your hands can deteriorate the lamp. Rubbing alcohol can be used to remove any contaminant.
- Second, do not run the lamps at full power when you do not need to. However, if dimming the fixture for an extended period of time, occasionally bring the light up to full brightness for a few minutes to complete the halogen cycle.

SAVE THESE INSTRUCTIONS!



TECH LIGHTING®

7400 Linder Ave, Skokie, IL 60077

847.410.4400

www.techlighting.com

© 2008 Tech Lighting, L.L.C. All rights reserved. The "Tech Lighting" graphic is a registered trademark of Tech Lighting, L.L.C. Tech Lighting reserves the right to change specifications for product improvements without notification.

A Generation Brands Company