



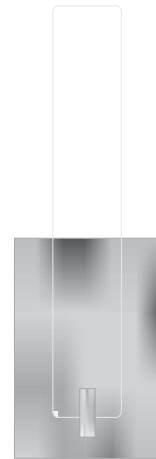
GENERAL PRODUCT INFORMATION:



This product can mount to either a 4" square electrical box with round plaster ring or an octagon electrical box.

This product is suitable for indoor dry locations only.

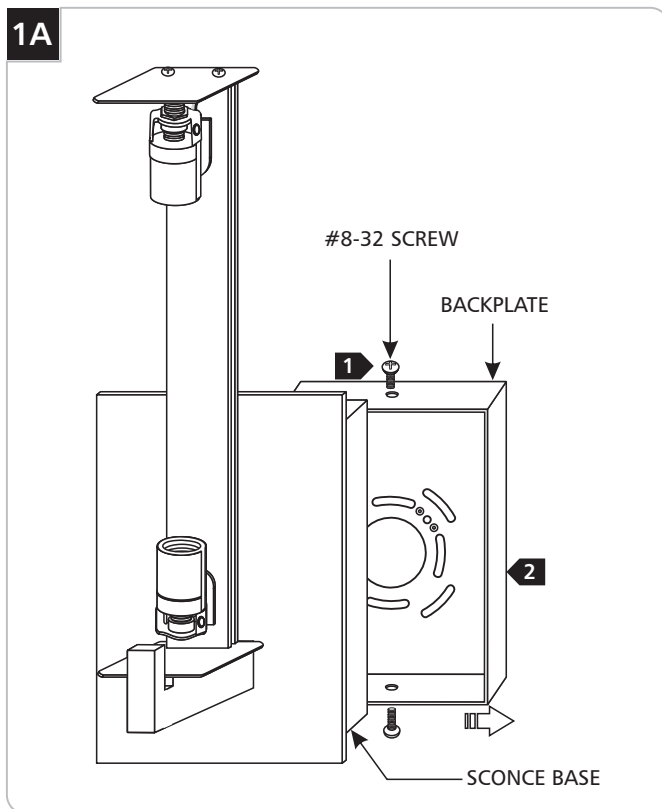
This product can be dimmed with a standard incandescent dimmer.



CAUTION — RISK OF FIRE

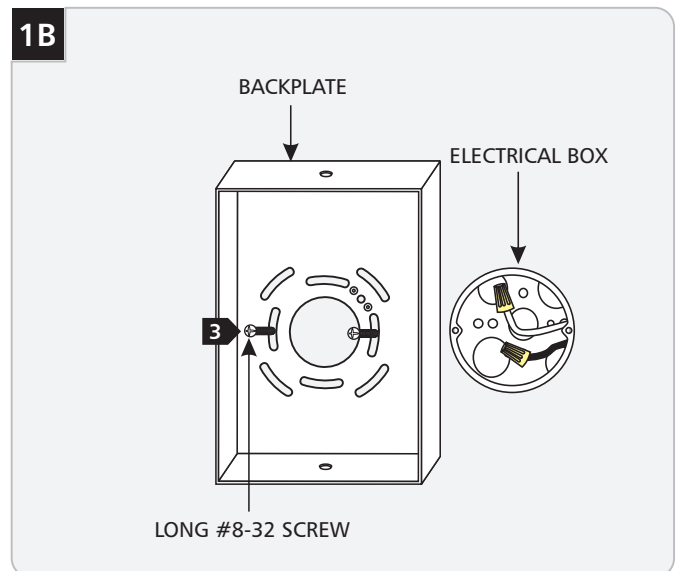
This product requires installation by a qualified electrician. Before installing be sure to read all instructions and **TURN THE POWER TO THE ELECTRICAL BOX OFF.**

Install the Backplate



1 Remove the two #8-32 screws on the backplate with a Phillips head screwdriver.

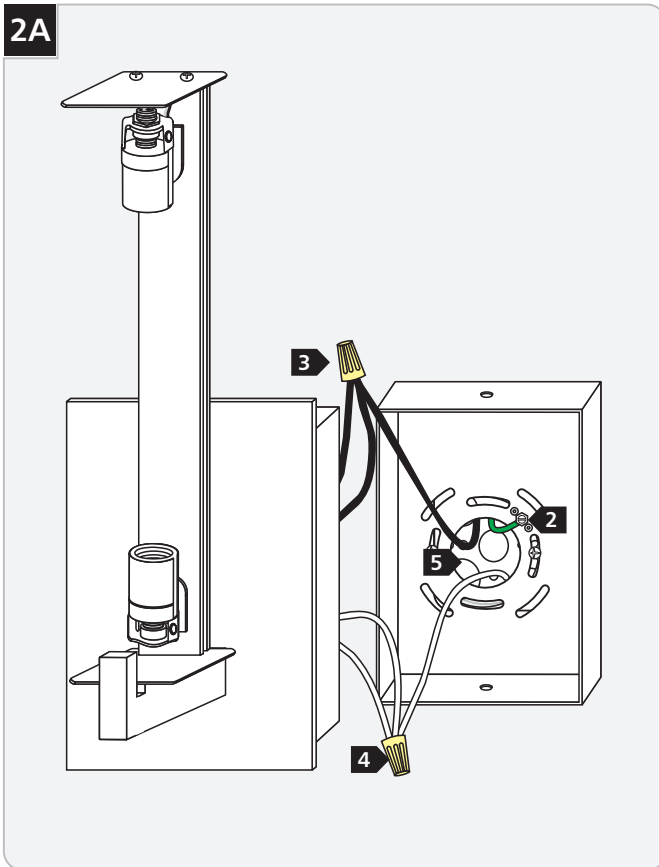
2 Remove the backplate from the sconce base.



3 Mount the backplate to the electrical box with two long #8-32 screws.

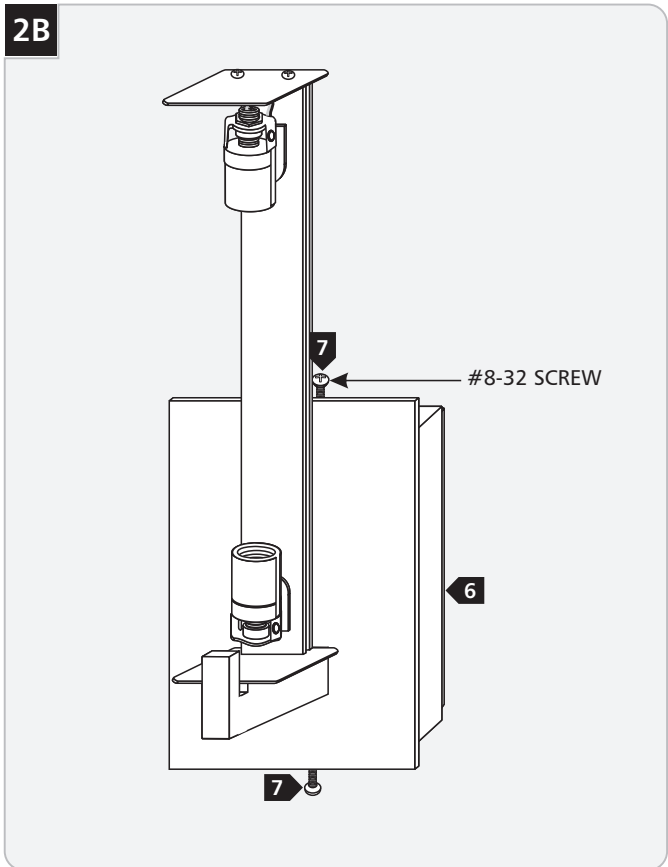
Connect the Power

2A



- 1 Turn the power to the electrical box off.
- 2 Make sure that the backplate is grounded in accordance with local electrical codes.
- 3 Connect the black fixture wires to the hot power line wire with a wire nut.
- 4 Connect the white fixture wires to the neutral power line wire with a wire nut.
- 5 Properly place all wires into the backplate.

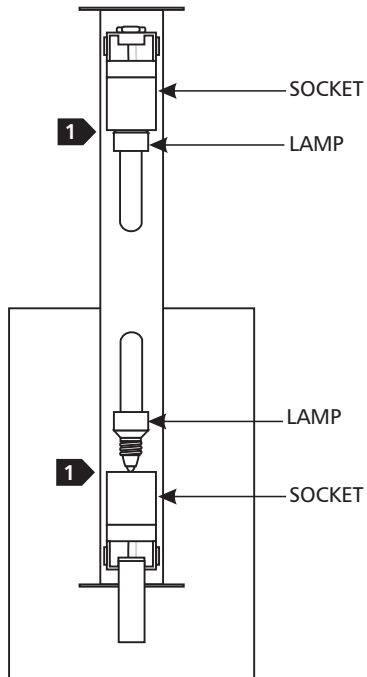
2B



- 6 Place the sconce base onto the backplate and align the holes.
- 7 Replace and tighten the #8-32 screws.

Install the Lamps and Glass Shade

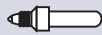
3A



NOTE: Use only your fingers and a soft cloth to replace the lamp.

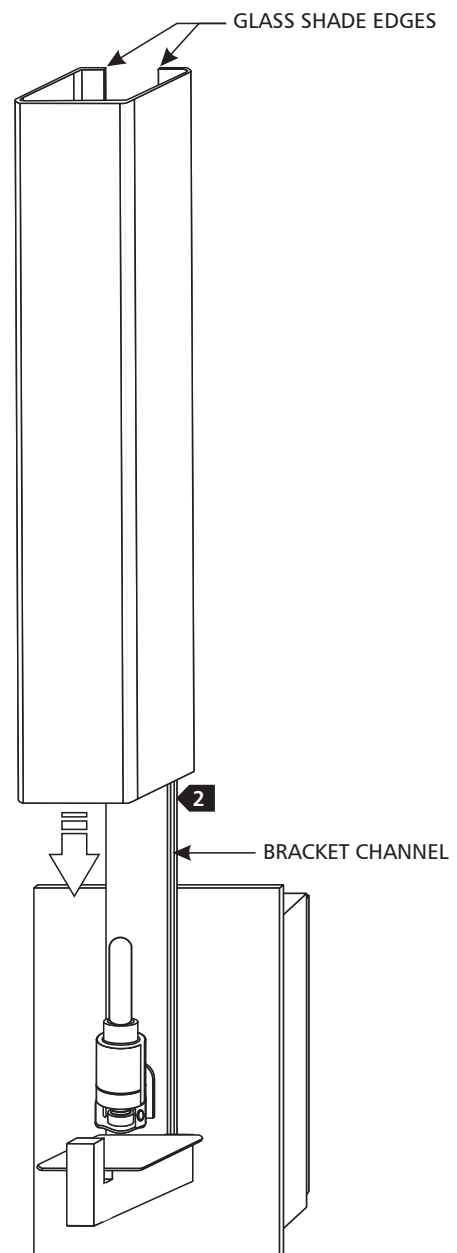
CAUTION: To reduce the risk of a burn or electric shock during relamping, disconnect the power to the fixture by turning the wall switch off.

Use **MAX** 120 Volt, **40** Watt Type E11 Base Mini Candelabra Halogen Lamp.



1 Screw the lamps into the sockets.

3B



2 From top of the sconce carefully slide the glass shade edges into the bracket channels.

IMPORTANT SAFETY INSTRUCTIONS

To reduce the risk of fire, electrical shock, exposure to excessive UV radiation, or injury to person:

- Use this fixture indoors only.
- Do not look directly at the lighted lamp.
- Do not remain in light if skin feels warm.
- Risk of fire: Use only the type of lamp and maximum wattage indicated in this instruction manual.
- Never cover the halogen lamp with anything other than a Tech Lighting lamp shield and never place flammable material close to your fixture.
- Never turn the fixture on and off by connecting and disconnecting the halogen lamp.
- Do not touch the fixture shades or lamp shield while the fixture is on. These surfaces may be HOT.

Halogen Lamp General Information

- A new halogen lamp may smoke slightly when it is used for the first time. This is perfectly normal; the protective coating is simply being vaporized.

Two Tips For Prolonging Halogen Lamp Life

- First avoid touching the lamp with bare hands during installation. Any contaminant, even the oil from your hands can deteriorate the lamp. Rubbing alcohol can be used to remove any contaminant.
- Second, do not run the lamps at full power when you do not need to. However, if dimming the fixture for an extended period of time, occasionally bring the light up to full brightness for a few minutes to complete the halogen cycle.

SAVE THESE INSTRUCTIONS!



TECH LIGHTING®

7400 Linder Ave, Skokie, IL 60077

847.410.4400

www.techlighting.com

© 2008 Tech Lighting, L.L.C. All rights reserved. The "Tech Lighting" graphic is a registered trademark of Tech Lighting, L.L.C. Tech Lighting reserves the right to change specifications for product improvements without notification.

A Generation Brands Company