

Port with Canopy

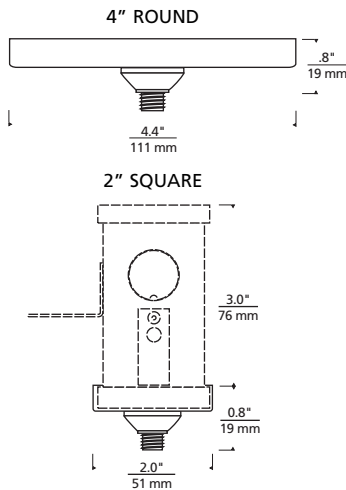


4" ROUND



2" SQUARE

Shown approx. 35% actual size.



DESCRIPTION

Port with Canopy allows a series of FreeJack elements to be powered from a remote transformer (sold separately). The low-voltage leads from the remote transformer are connected to the canopy leads inside the junction box. Each FreeJack element can be used up to its specified wattage (see element and accessory for details).

INSTALLATION

4" Round Canopy: mounts to either a 4" square electrical box with round plaster ring or an octagonal electrical box (not included).

2" Square Canopy: mounts to Tech Lighting's special 2" square, 3.5" deep electrical box with mounting bar (included).

For ceiling or wall. If wall mounting, head should be no longer than 6".

FINISH

Antique bronze, chrome, satin nickel, black, white.

REQUIRED USAGE

Remote transformer and any FreeJack pendant or head (sold separately).

WEIGHT

4" Round: 0.60 lb./0.27 kg. ±

2" Square: 0.90 lb./0.40 kg. ±

ORDERING INFORMATION

700FJFCP	CANOPY	FINISH
4R	4" ROUND	Z ANTIQUE BRONZE
2S	2" SQUARE	C CHROME
		S SATIN NICKEL
		B BLACK
		W WHITE



TECH LIGHTING®

7400 Linder Avenue T 847.410.4400
 Skokie, Illinois 60077 F 847.410.4500

www.techlighting.com

700FJFCP _____

FIXTURE TYPE: _____

JOB NAME: _____