

Snap Louver Lens Holder

700A06-CH

1.6



ACCESSORIES

GENERAL PRODUCT INFORMATION:

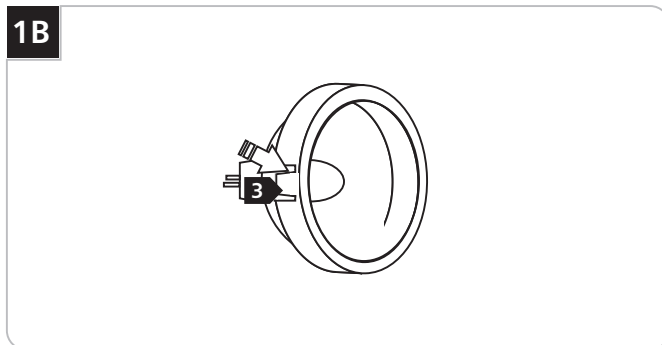
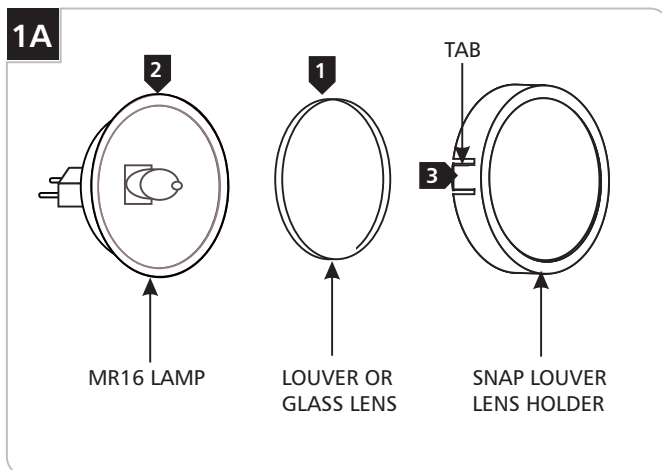


This product is suitable for indoor dry locations only.

This product must be used with Tech Lighting systems only.



Installing the Snap Louver Lens Holder



- 1** Place the louver or the glass lens (optional) into the Snap Louver Lens Holder.
- 2** Place the MR16 lamp into the Snap Louver Lens Holder.
- 3** Press the tabs on both sides of the Snap Louver Lens Holder against the MR16 lamp to keep it in the position.

SAVE THESE INSTRUCTIONS!



7400 Linder Ave, Skokie, IL 60077
847.410.4400

www.techlighting.com

© 2008 Tech Lighting, L.L.C. All rights reserved. The "Tech Lighting" graphic is a registered trademark of Tech Lighting, L.L.C. Tech Lighting reserves the right to change specifications for product improvements without notification.
A Generation Brands Company