

# Tinkerbell

700TNKBELL

1.7



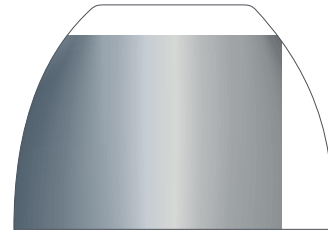
## ACCESSORIES

### GENERAL PRODUCT INFORMATION:

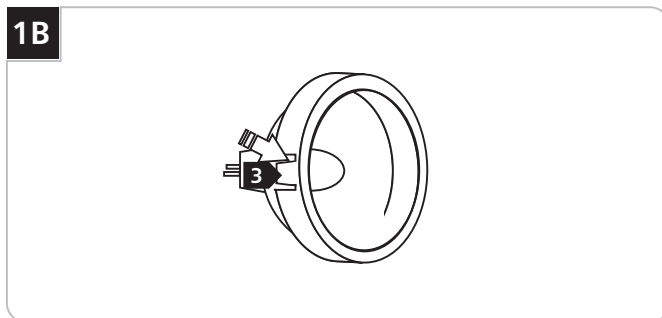
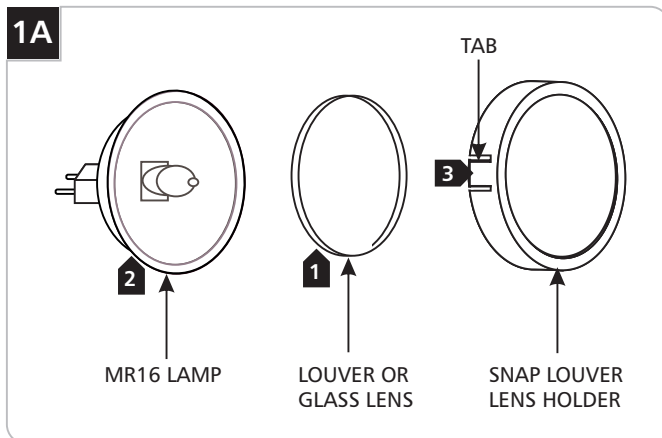


This product is suitable for indoor dry locations only.

This product must be used with Tech Lighting systems only.



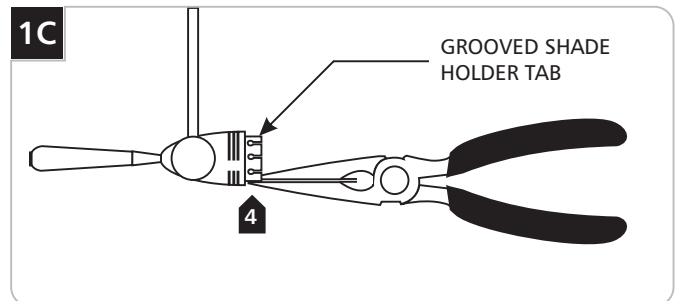
## Installing the Tinkerbell



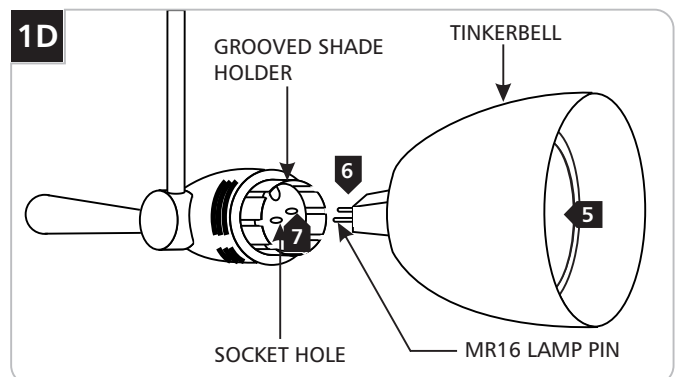
Use **MAX 50 Watt MR16 Front Cover Halogen Lamp**, except for Antique Bronze & Black Finishes Use **MAX 35 Watt MR16 Front Cover Halogen Lamp**.



- 1** Place the louver or the glass lens (optional) into the Snap Louver Lens Holder.
- 2** Place the MR16 lamp into the Snap Louver Lens Holder.
- 3** Press the tabs on both sides of the Snap Louver Lens Holder against the MR16 lamp to keep it in the position.



- 4** If the Tinkerbell fits tight onto the fixture, then carefully bend the grooved shade holder tabs in slightly with the needlenose pliers. If it fits loose, then carefully bend the grooved shade holder tabs out slightly with the needlenose pliers.



- 5** Place the Snap Louver Lens Holder assembly into the Tinkerbell.
- 6** Line the lamp pins up with the fixture socket holes.
- 7** Insert the lamp pins into the socket holes; simultaneously push the Tinkerbell onto the grooved shade holder.

**SAVE THESE INSTRUCTIONS!**



7400 Linder Ave, Skokie, IL 60077

847.410.4400

[www.techlighting.com](http://www.techlighting.com)

© 2008 Tech Lighting, L.L.C. All rights reserved. The "Tech Lighting" graphic is a registered trademark of Tech Lighting, L.L.C. Tech Lighting reserves the right to change specifications for product improvements without notification.

A Generation Brands Company