

# Dichroic Glass Shield

700DCH\_

1.7



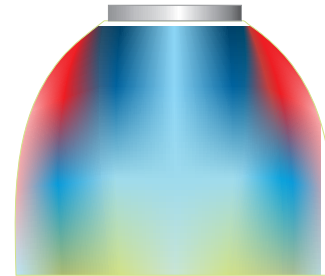
ACCESSORIES

## GENERAL PRODUCT INFORMATION:

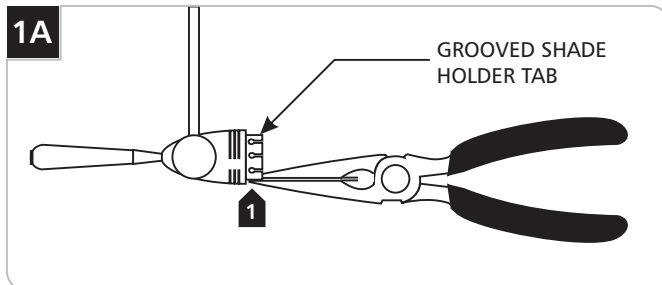


This product is suitable for indoor dry locations only.

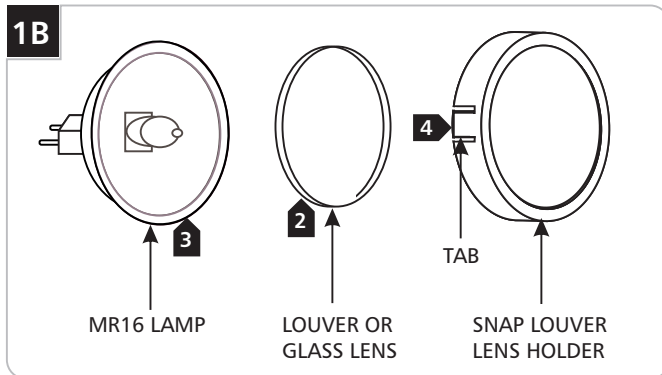
This product must be used with Tech Lighting systems only.



## Installing the Dichroic Glass Shield



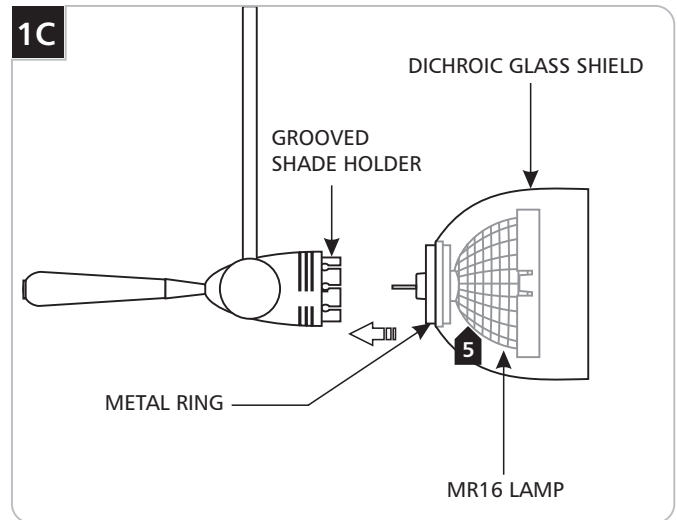
**1** If the Dichroic glass Shield fits tight onto the fixture, then carefully bend the grooved shade holder tabs in slightly with the needlenose pliers. If it fits loose, then carefully bend the grooved shade holder tabs out slightly with the needlenose pliers.



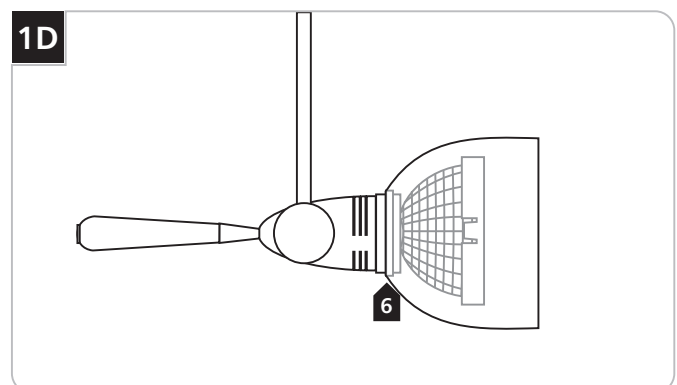
Use **MAX 50 Watt MR16 Front Cover Halogen Lamp.**



- 2** Place the louver or the glass lens (optional) into the Snap Louver Lens Holder.
- 3** Place the MR16 lamp into the Snap Louver Lens Holder.
- 4** Press the tabs on both sides of the Snap Louver Lens Holder against the MR16 lamp to keep it in the position.



**5** Place the MR16 lamp into the Dichroic Glass Shield.



**6** Hold the lamp against the Dichroic Glass Shield with the thumb and push the lamp pins all the way into the socket holes; simultaneously push the Dichroic Glass Shield metal ring onto the grooved shade holder.

**SAVE THESE INSTRUCTIONS!**



**TECH LIGHTING®**

7400 Linder Ave, Skokie, IL 60077

847.410.4400

[www.techlighting.com](http://www.techlighting.com)

© 2008 Tech Lighting, L.L.C. All rights reserved. The "Tech Lighting" graphic is a registered trademark of Tech Lighting, L.L.C. Tech Lighting reserves the right to change specifications for product improvements without notification.

A Generation Brands Company