

**GENERAL PRODUCT INFORMATION:**



This product can mount to either a 4" square electrical box with round plaster ring or an octagon electrical box.

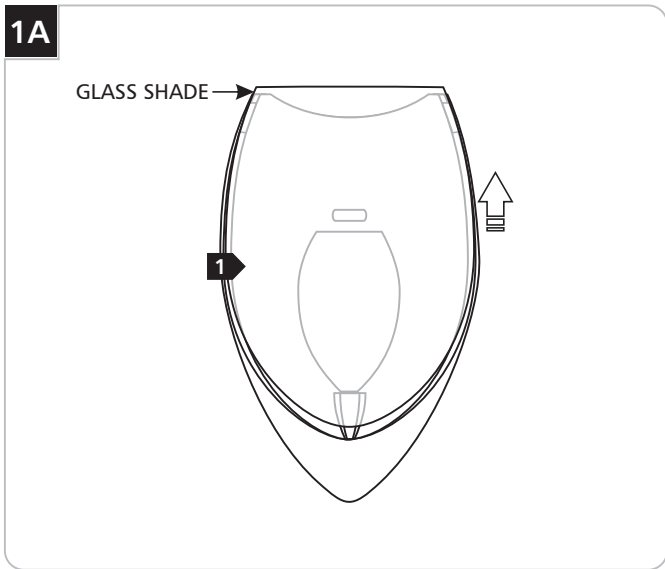
This product is suitable for indoor dry locations only.

This product can be dimmed with a standard incandescent dimmer.

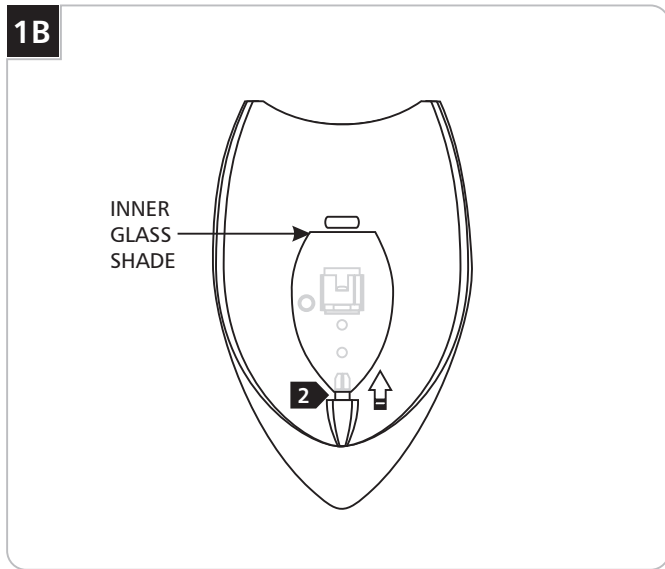
**Install The Sconce**

**NOTE:** Firefrost and Firefrit Wall do not have an inner glass shade.

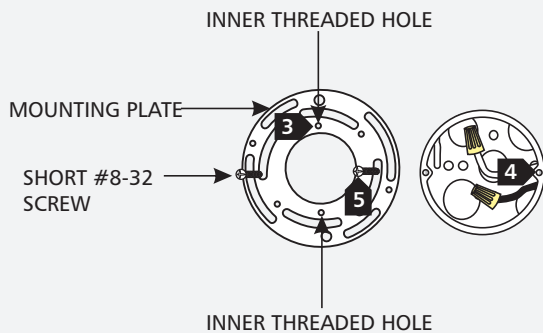
**CAUTION—RISK OF FIRE**  
 This product requires installation by a qualified electrician. Before installing be sure to read all instructions and **TURN THE POWER TO THE ELECTRICAL BOX OFF.**



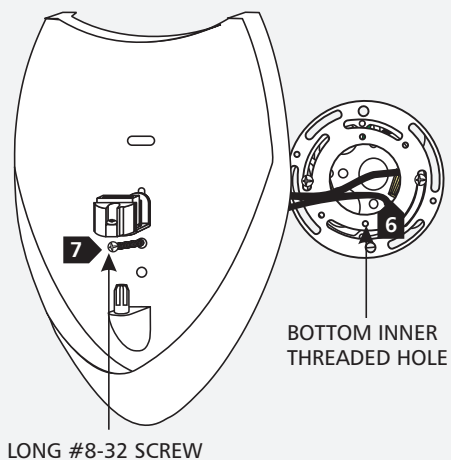
**1** Remove the glass shade by gently pulling glass shade out and then up.



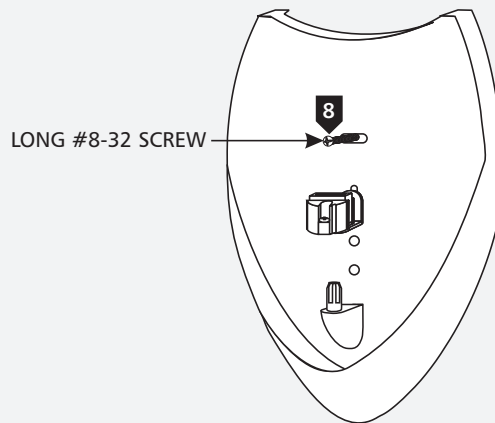
**2** Gently pull up the inner glass shade to remove it.

**1C**

- 3** Make sure the two inner threaded holes on the mounting plate are positioned at the top and bottom of the plate.
- 4** Line up two mounting plate slots with the two electrical box holes.
- 5** Level the mounting plate vertically and secure it to the electrical box with the two short #8-32 screws provided.

**1D**

- 6** Place all wire nut connections properly inside the electrical box.
- 7** Insert a long #8-32 screw (provided) through the hole underneath the socket bracket and tighten it to the mounting plate bottom inner threaded hole.

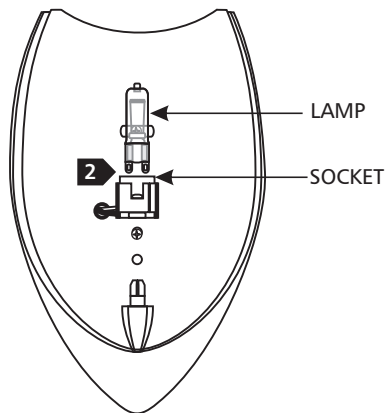
**1E**

- 8** Align the top slot with the top inner threaded hole. Insert the long #8-32 screw through the slot and tighten it to the top inner threaded hole.

## Install the Lamp

**CAUTION:** To reduce the risk of a burn or electric shock during relamping, disconnect the power to the fixture by turning the wall switch off.

**2A**



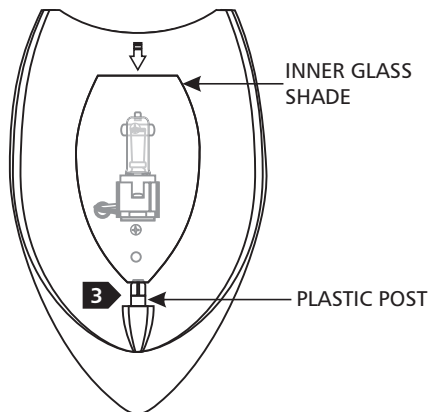
**NOTE:** The G9 lamp has an integral glass envelope and is thus safe to be used without a lamp shield.

Use **MAX** 120 Volt, **60** Watt Type T4, G9 Base, Bi-Pin Halogen Lamp.



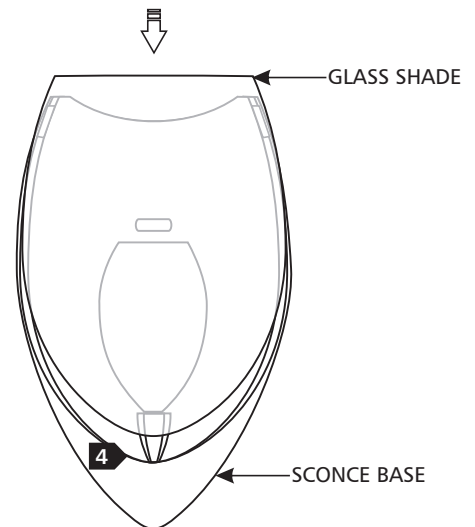
- 1 Handle the new replacement lamp with a soft cloth to prevent the natural oils on the fingertips from collecting on the lamp. This will help extend the life of the lamp.
- 2 Push the lamp pins completely into the socket holes.

**2B**



- 3 Align and push the inner glass shade completely onto the plastic post on the mounting plate and secure by sliding completely down.

**2C**



- 4 Replace the glass shade onto the sconce base.

## IMPORTANT SAFETY INSTRUCTIONS

*To reduce the risk of fire, electrical shock, exposure to excessive UV radiation, or injury to person:*

- Use this fixture indoors only.
- Do not look directly at the lighted lamp.
- Do not remain in light if skin feels warm.
- Risk of fire: Use only the type of lamp and maximum wattage indicated in this instruction manual.
- Never cover the halogen lamp with anything other than a Tech Lighting lamp shield and never place flammable material close to your fixture.
- Never turn the fixture on and off by connecting and disconnecting the halogen lamp.
- Do not touch the fixture shades or lamp shield while the fixture is on. These surfaces may be HOT.

## Halogen Lamp General Information

- A new halogen lamp may smoke slightly when it is used for the first time. This is perfectly normal; the protective coating is simply being vaporized.

## Two Tips For Prolonging Halogen Lamp Life

- First avoid touching the lamp with bare hands during installation. Any contaminant, even the oil from your hands can deteriorate the lamp. Rubbing alcohol can be used to remove any contaminant.
- Second, do not run the lamps at full power when you do not need to. However, if dimming the fixture for an extended period of time, occasionally bring the light up to full brightness for a few minutes to complete the halogen cycle.

**SAVE THESE INSTRUCTIONS!**



**TECH LIGHTING®**

7400 Linder Ave, Skokie, IL 60077

847.410.4400

[www.techlighting.com](http://www.techlighting.com)

© 2008 Tech Lighting, L.L.C. All rights reserved. The "Tech Lighting" graphic is a registered trademark of Tech Lighting, L.L.C. Tech Lighting reserves the right to change specifications for product improvements without notification.

A Generation Brands Company