

Louver Lens Holder, Wild Thing, & Backlight Shield **700A01_ , ALHDRMR16_** **1.7**



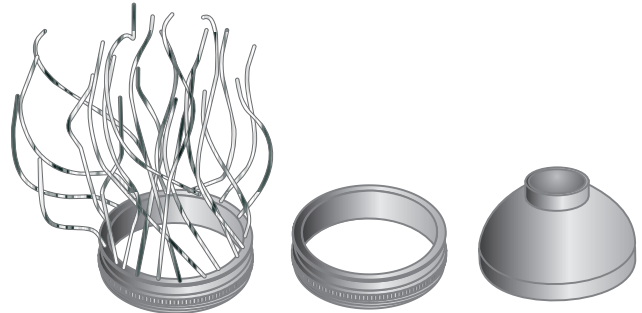
ENCOMPASS LIGHTING GROUP
ACCESSORIES

GENERAL PRODUCT INFORMATION:

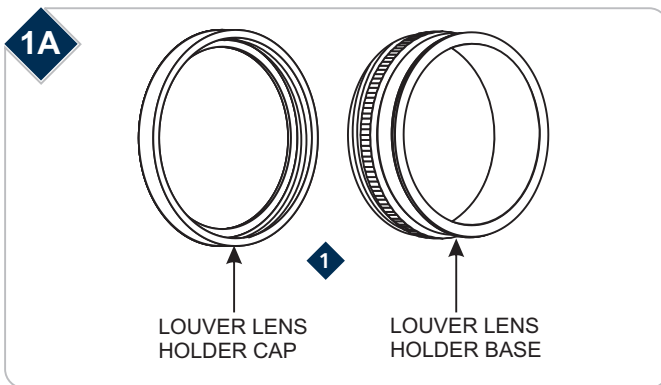


This instruction is for the following models.

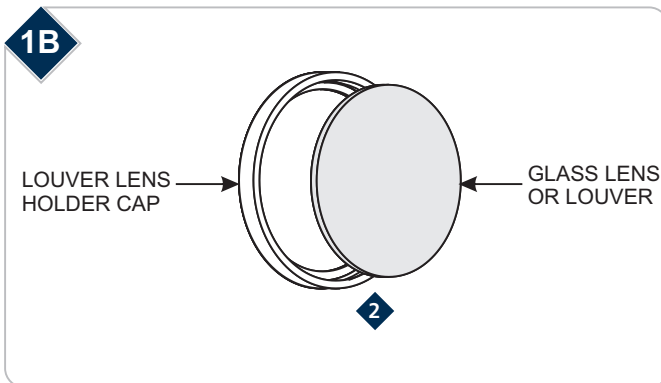
- ◆ Louver Lens Holder (700A01_) & (ALHDRMR16_)
- ◆ Wild Thing (695WILDBK)
- ◆ Backlight Shield (700MR1_)



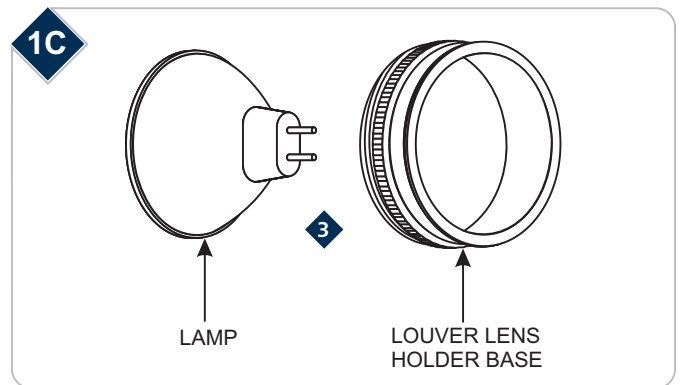
Install the Louver Lens Holder or Wild Thing



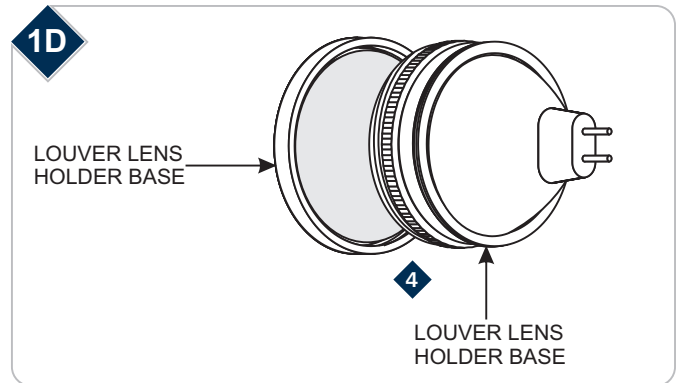
1 Unscrew the louver lens holder cap from the base.



2 Place the louver or glass lens (optional-not included) into the louver lens holder cap.



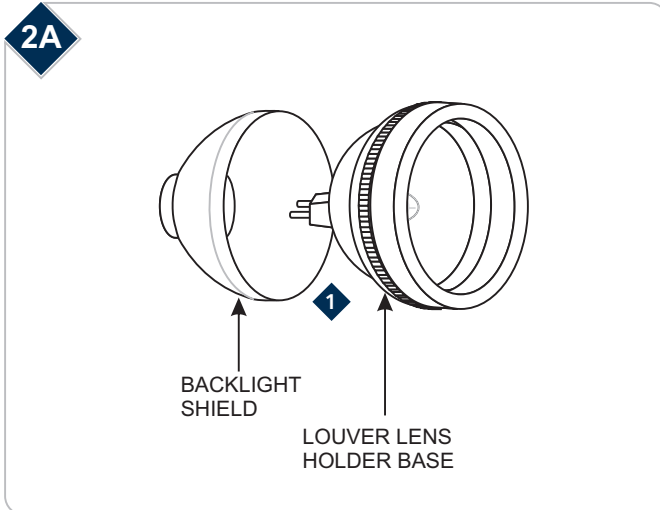
3 Place the lamp into the louver lens holder base.



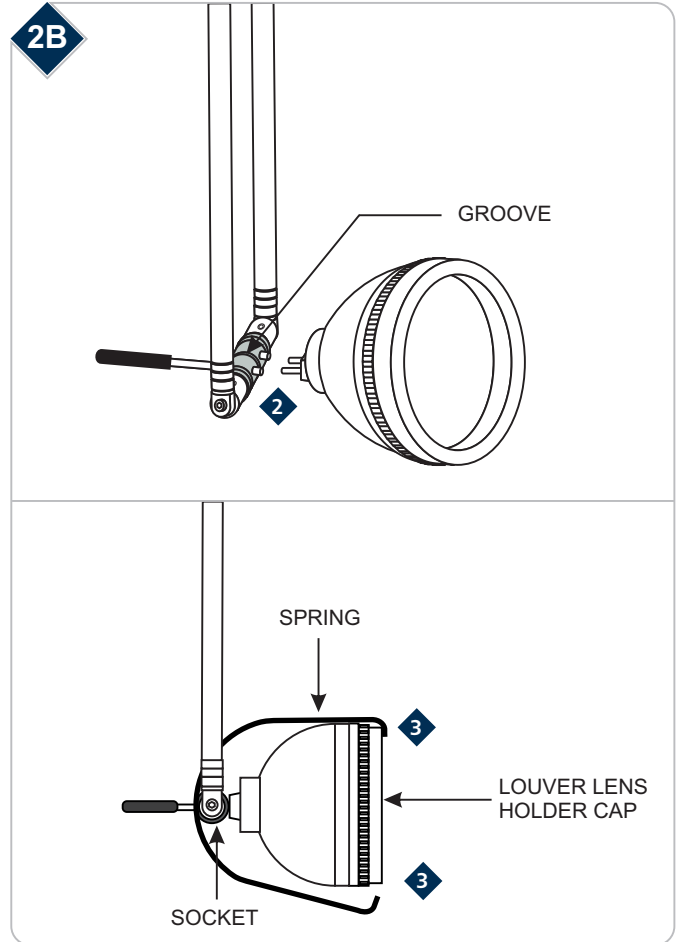
4 Screw the louver lens holder cap onto the base.

5 Refer to the instructions provided with the fixture to install the lamp.

Install the Backlight Shield



- 1 Push the backlight shield onto the louver lens holder base.



- 2 Hold the assembly together while inserting the lamp pins completely into the socket pins.
- 3 Hook one end of the provided spring onto front of the louver lens holder cap. Wrap the spring over the groove in the middle of the socket and hook the other end onto front of the louver lens holder cap.

SAVE THESE INSTRUCTIONS!



ENCOMPASS LIGHTING GROUP

7400 Linder Ave, Skokie, IL 60077

847.410.4400

www.encompasslighting.com

© 2008 Encompass Lighting Group. All rights reserved. The "Encompass Lighting Group" graphic is a registered trademark of Encompass Lighting Group. Encompass Lighting Group reserves the right to change specifications for product improvements without notification.

A Generation Brands Company