



ACCESSORIES

GENERAL PRODUCT INFORMATION:

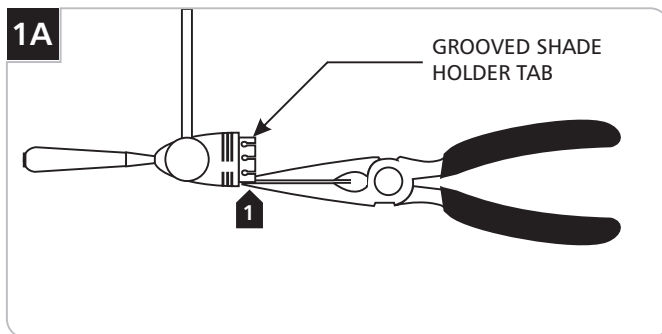


This product is suitable for indoor dry locations only.

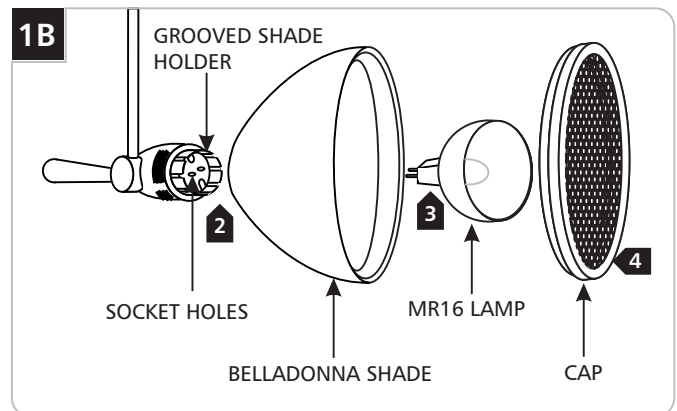
This product must be used with Tech Lighting systems only.



Install The Belladonna Accessory



**1** If the Belladonna shade fits tight onto the fixture, then carefully bend the grooved shade holder tabs in slightly with the needlenose pliers. If it fits loose, then carefully bend the grooved shade holder tabs out slightly with the needlenose pliers.



Use **MAX 50 Watt, MR16 Front Cover Halogen Lamp** with Belladonna shade.



- 2** Push the Belladonna shade completely onto the grooved shade holder.
- 3** Insert the MR16 lamp pins completely into the socket holes.
- 4** Push the cap onto the Belladonna shade.

**SAVE THESE INSTRUCTIONS!**



7400 Linder Ave, Skokie, IL 60077

847.410.4400

[www.techlighting.com](http://www.techlighting.com)

© 2008 Tech Lighting, L.L.C. All rights reserved. The "Tech Lighting" graphic is a registered trademark of Tech Lighting, L.L.C. Tech Lighting reserves the right to change specifications for product improvements without notification.

A Generation Brands Company