

Bell

700AERBELL_ 1.6



GENERAL PRODUCT INFORMATION:

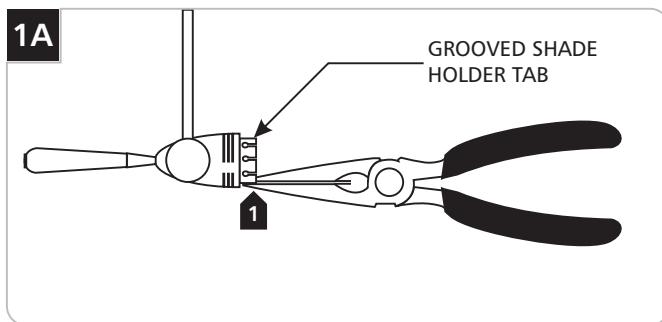


This product is suitable for indoor dry locations only.

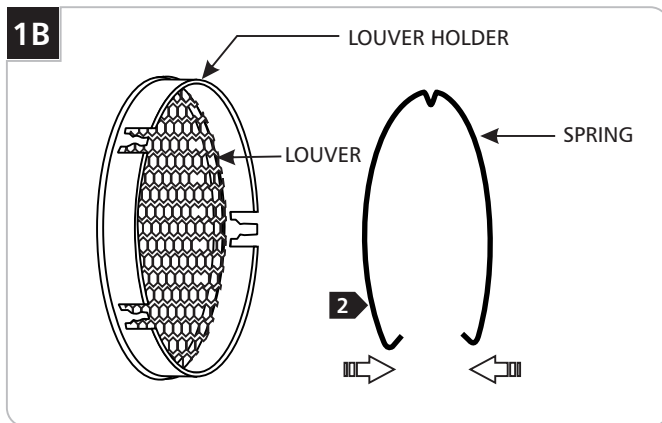
This product must be used with Tech Lighting systems only.



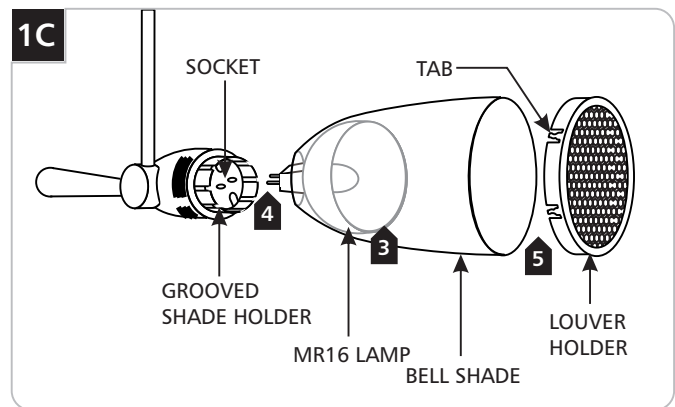
Install the Bell Accessory



1 If the Bell shade fits tight onto the fixture, then carefully bend the grooved shade holder tabs in slightly with the needle-nose pliers. If it fits loose, then carefully bend the grooved shade holder tabs out slightly with the needle-nose pliers.



2 Place the louver in front of the louver holder. Squeeze the spring ends together and place it in front of the louver holder.



Use **MAX 35 Watt, MR16 Front Cover Halogen Lamp** with Bell shade.



- 3** Place the MR16 lamp into the Bell shade. Hold the lamp in the shade with fingers.
- 4** Line the MR16 lamp pins up with the fixture socket holes and insert the pins completely into the socket holes, simultaneously push the Bell shade all the way onto the grooved shade holder.
- 5** Push the louver holder into the Bell shade until all tabs snap in.

SAVE THESE INSTRUCTIONS!



TECH LIGHTING®

7400 Linder Ave, Skokie, IL 60077

847.410.4400

www.techlighting.com

© 2008 Tech Lighting, L.L.C. All rights reserved. The "Tech Lighting" graphic is a registered trademark of Tech Lighting, L.L.C. Tech Lighting reserves the right to change specifications for product improvements without notification.

A Generation Brands Company