

# T~TRAK

## HEADS-LINE VOLTAGE

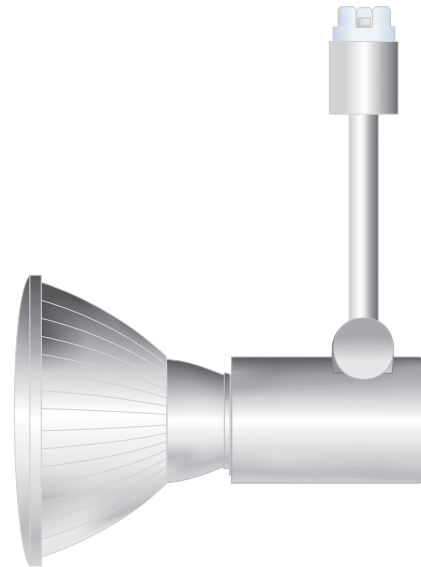
### GENERAL PRODUCT INFORMATION:



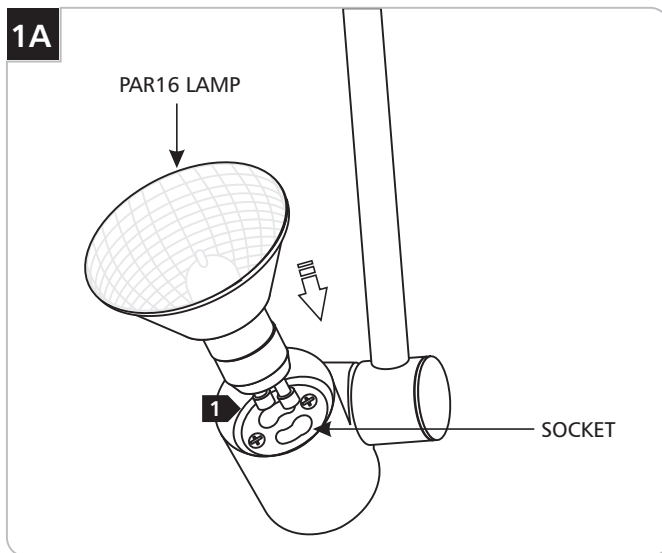
This product is suitable for indoor dry locations only.

This product is intended for use only with Tech Lighting Power Jack & T~trak™ systems.

This product is patented (U.S. PAT. 7,172,332).



### Installing the PAR16 Lamp



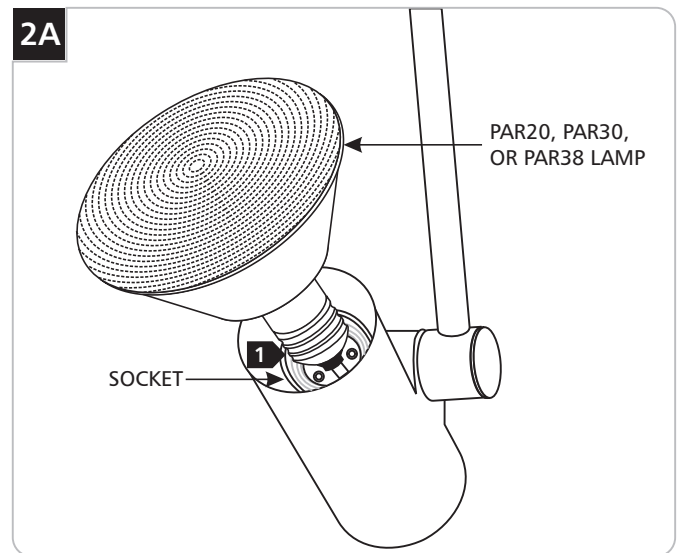
**NOTE:** Turn off power to the system before installing, removing, or relamping the fixture.

Use **MAX** 120 Volt, 50 Watt GU10 Base PAR16 lamp.



- 1 Push the lamp pins into the large portion of the socket and rotate clockwise to lock the lamp in place securely.

### Installing the PAR20, PAR30, or PAR38 Lamp



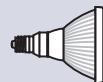
Use **MAX** 120 Volt, 50 Watt Incandescent PAR20 lamp.



Use **MAX** 120 Volt, 75 Watt Incandescent PAR30 lamp.



Use **MAX** 120 Volt, 120 Watt Incandescent PAR38 lamp.



- 1 Screw the lamp into the socket.

## IMPORTANT SAFETY INSTRUCTIONS

*To reduce the risk of fire, electrical shock, exposure to excessive UV radiation, or injury to person:*

- Use this fixture indoors only.
- Do not look directly at the lighted lamp.
- Do not remain in light if skin feels warm.
- Risk of fire: Use only the type of lamp and maximum wattage indicated in this instruction manual.
- Never cover the lamp with anything. Never place flammable material close to your fixture.
- Never turn the fixture on and off by connecting and disconnecting the lamp.
- Do not touch the lamp while the fixture is on. This surface may be **HOT**.

**SAVE THESE INSTRUCTIONS!**

**T~TRAK**  
a brand of **TECH LIGHTING**  
7400 Linder Ave, Skokie, IL 60077  
847.410.4400  
[www.ttraklighting.com](http://www.ttraklighting.com)

© 2010 Tech Lighting, L.L.C. All rights reserved. The "T~trak"™ graphic is a registered trademark of T~trak™. T~trak™ reserves the right to change specifications for product improvements without notification.  
A Generation Brands Company