

Line-Voltage Mini Canopy 7 and 11 Port

700TDMRD_ 1.0



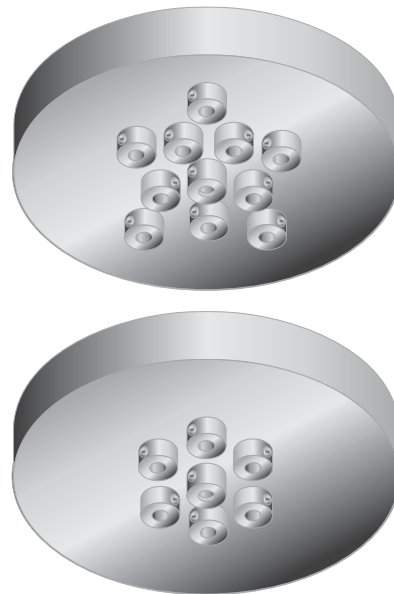
GENERAL PRODUCT INFORMATION:



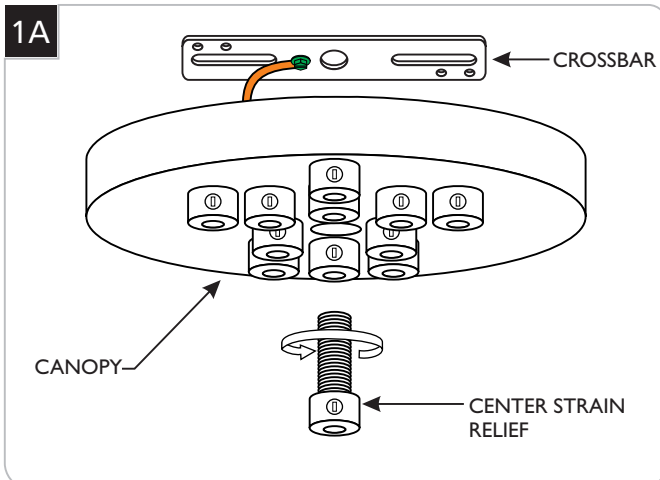
This product can mount to either a 4" square electrical box with a round plaster ring or an octagon electrical box.

This product is suitable for damp locations.

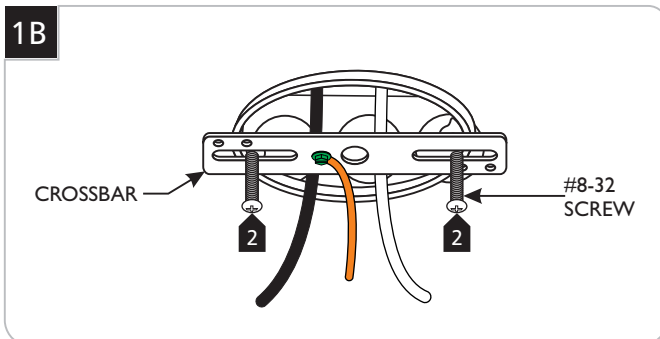
This instruction shows a typical installation.



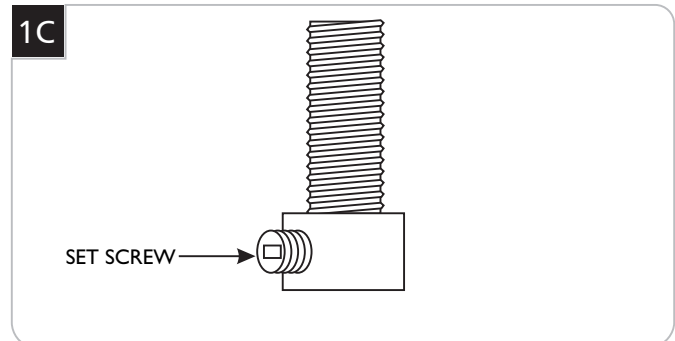
Preparing the Canopy



1 Remove the crossbar from the canopy by completely unscrewing the center strain relief.

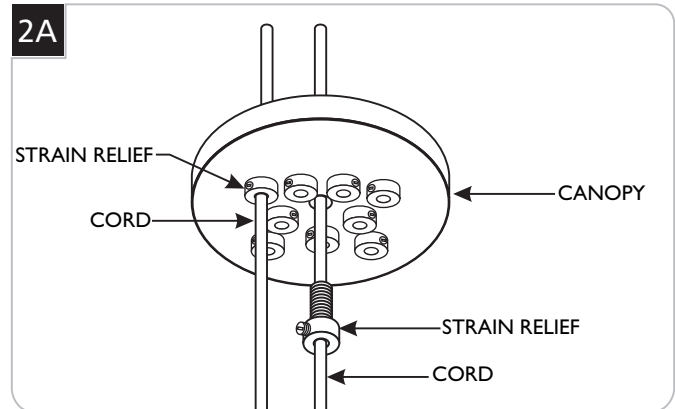


2 Mount the crossbar assembly to the electrical box with the two provided #8-32 screws.



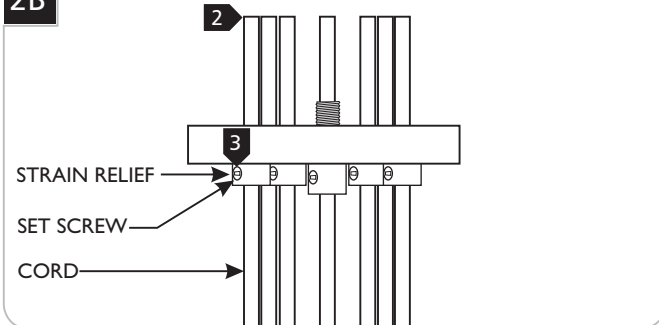
3 Loosen (**Do Not Remove**) the set screw on each strain relief.

Install the Fixture

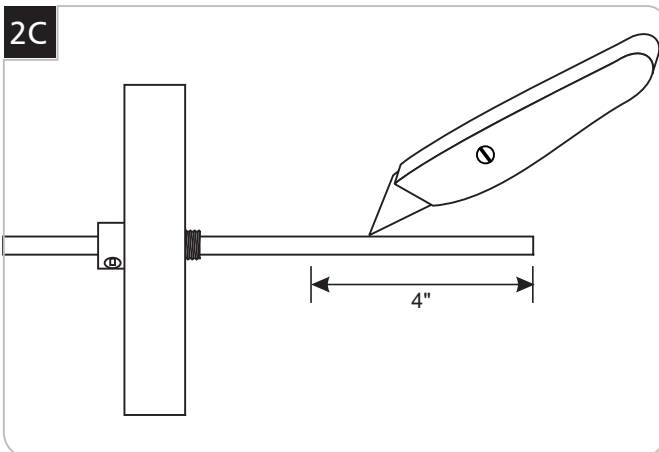


1 Feed a fixture cord through each the strain relief.

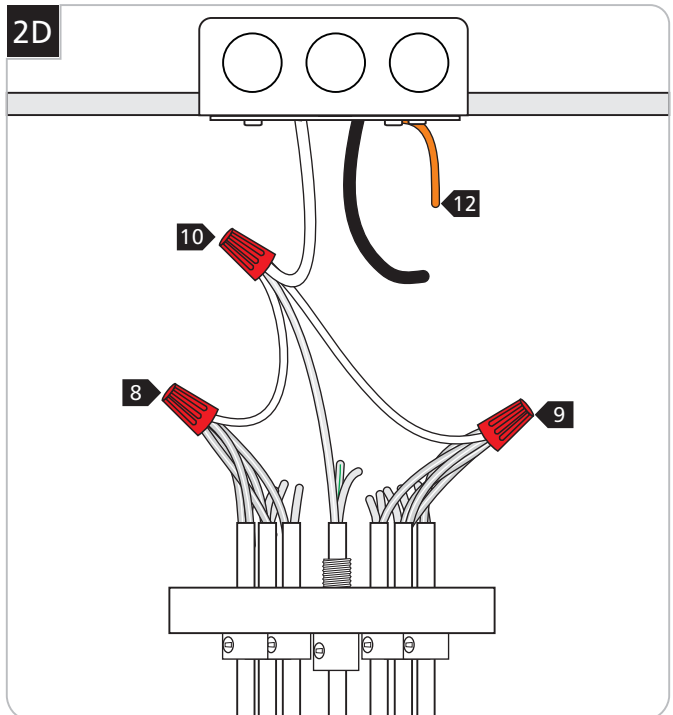
Note: Taping down the frayed end of the cloth may assist in feeding it through the strain relief.

2B

- 2 Adjust each fixtures' height (from bottom of the fixture shade to top of the canopy) by pulling the fixture cords through the strain relief.
- 3 When the desired look is achieved, tighten the set screw on each strain relief.

2C

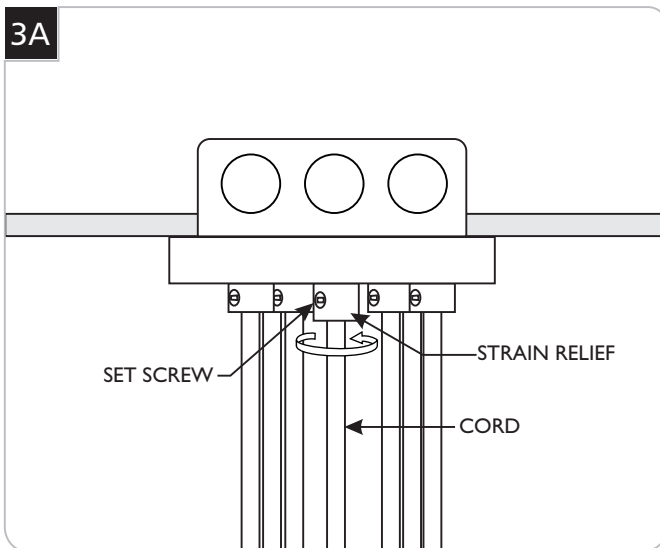
- 4 Leave 6" of the cord behind the canopy for power connections. Cut the excess cord.
- 5 From the end of the cord, strip the insulation 4" using a sharp knife. Make sure not to nick the inner wires.
- 6 Strip the end of the wires.
- 7 Repeat for all the cords

2D

- 8 Leave the center cord for now and connect half of the fixture wires with the white tracer as well as one of the provided white wire strips together with one of the provided wire nuts.
- 9 Repeat for the remaining half of the fixture wires with the white tracers except for the center cord.
- 10 Connect neutral power line, the center cord power wire with white tracer, and the two white strips from the previous connection with one of the provided wire nuts.
- 11 Repeat steps #, #, and # for the hot power cord wires and the neutral power cord wires with the green tracer.
- 12 Ground the fixture wires and the mounting plate ground wire with accordance to local electrical code.
- 13 Skip to section 3

Install the Canopy

3A



NOTE: It is recommended that one person hold the fixture while the electrician finishes the installation.

- 1 Place all wires and wire nut connections properly inside the canopy.
- 2 While supporting the fixture, loosen the set screw on the center strain relief.
- 3 Align the canopy center hole with the crossbar center hole.
- 4 Slide the canopy up against the ceiling and secure it in place by tightening the center strain relief into the crossbar. **Do not turn the cord.**
- 5 Reposition the height of the center fixture if necessary and tighten the plastic set screw to secure the cord.

SAVE THESE INSTRUCTIONS!



TECH LIGHTING®

7400 Linder Ave, Skokie, IL 60077

847.410.4400

www.techlighting.com

© 2013 Tech Lighting, L.L.C. All rights reserved. The "Tech Lighting" graphic is a registered trademark of Tech Lighting, L.L.C. Tech Lighting reserves the right to change specifications for product improvements without notification.

A Generation Brands Company